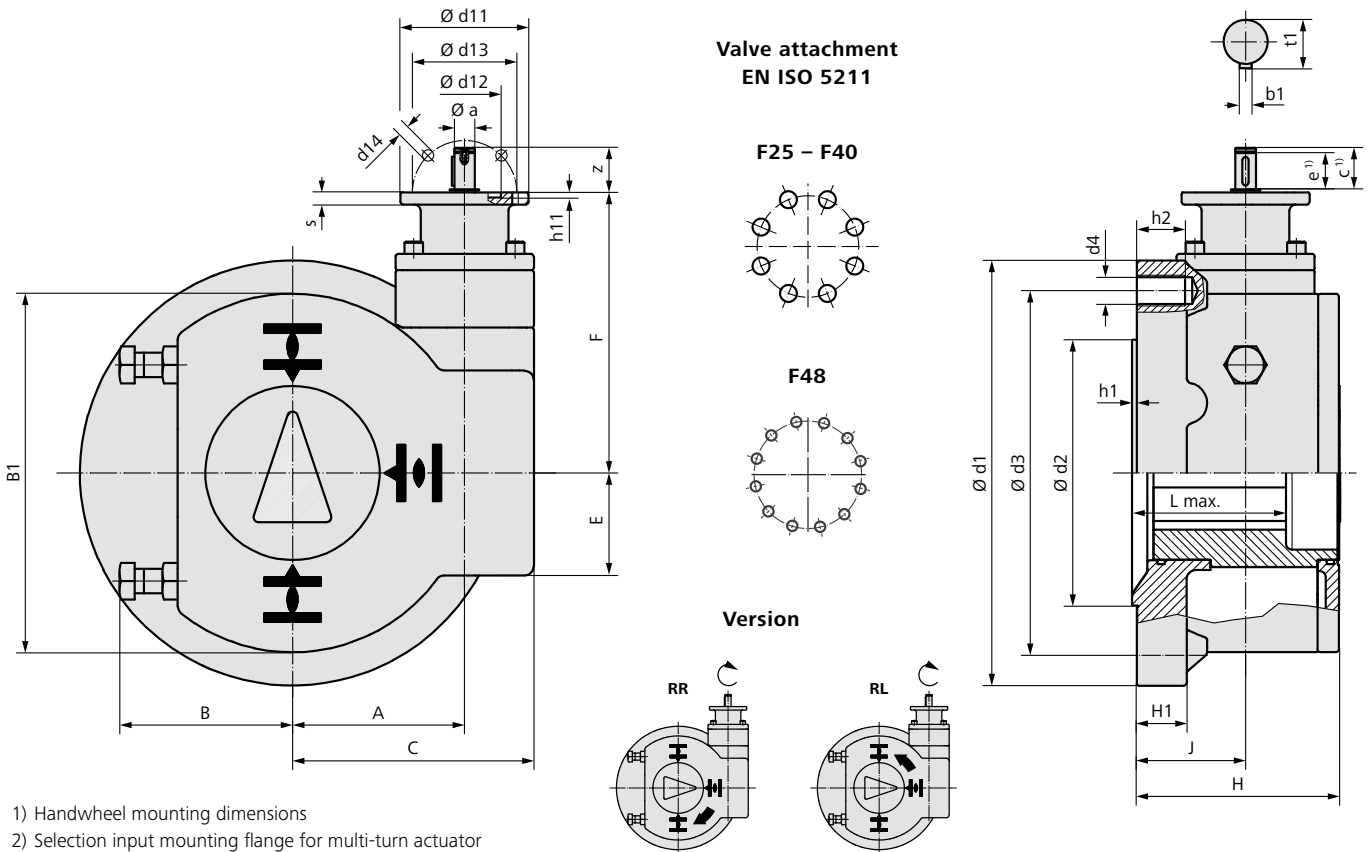


Dimensions Part-turn gearboxes



- 1) Handwheel mounting dimensions
- 2) Selection input mounting flange for multi-turn actuator  
Refer to "Technical data Part-turn gearboxes GQB 80.1 – GQB 250.1"

Dimensions	GQB 160.1						GQB 200.1						GQB 250.1					
	218:1			563:1 880:1/1784:1			214:1			552:1 864:1/1751:1			214:1			552:1 864:1/1751:1		
EN ISO 5211	F25	F30	F35	F25	F30	F35	F30	F35	F40	F30	F35	F40	F35	F40	F48	F35	F40	F48
A	168			168			210			210			263			263		
B	169			169			204			204			241			241		
B1	350			350			415			415			500			500		
C	236			236			290			290			368			368		
E	100			100			123			123			154			154		
F	226			274			259/274			324			327			412		
H	186	201		186	201		227	237		227	237		289	294		289	294	
H1	39	44	49	39	44	49	48	58		48	58		47	57	62	47	57	62
J	91		106	91		106	116	126		116	126		147	152		147	152	
L max.	180	195		180	195		225	235		225	235		280	285		280	285	
b1	6/8			6			8/12			6/8			8/12/14			6/8/12		
c <sup>1)</sup>	43/60			43			60/73			43/60			-			43/60/73		
e <sup>1)</sup>	38/55			38			55/65			38/55			-			38/55/65		
h1	5			5			5			5			5			5		
h2	25	32	47	25	32	47	32	47	55	32	47	55	47	55	47	55	47	55
t1	22.5/33			22.5			33/43			22.5/33			33/43/53.5			22.5/33/43		
z	41/61			41			60/80			41/60			60/80/100			41/60/80		
Ø a f8	20/30			20			30/40			20/30			30/40/50			20/30/40		
Ø d1	300	350	415	300	350	415	350	415	475	350	415	475	415	475	560	415	475	560
Ø d2	200	230	260	200	230	260	230	260	300	230	260	300	260	300	370	260	300	370
Ø d3	254	298	356	254	298	356	298	356	406	298	356	406	356	406	483	356	406	483
Ø d4	M16	M20	M30	M16	M20	M30	M20	M30	M36	M20	M30	M36	M30	M36	M36	M30	M36	M36
EN ISO 5210 <sup>2)</sup>	F10/F14			F10			F14/F16			F10/F14			F14/F16/F25			F10/F14/F16		
<b>Flange for mounting multi-turn actuator<sup>2)</sup></b>																		
EN ISO 5210				F10			F14						F16			F25		
Ø d11				125			175						210			300		
Ø d12				70			100						130			200		
Ø d13				102			140						165			254		
Ø d14				4x11			4x18						4x22			8x18		
h11				5			5						6			6		
s				12			15						22			17		

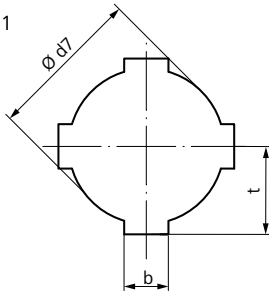
We reserve the right to alter data according to improvements made. Previous documents become invalid with the issue of this document.

Dimensions Couplings according to EN ISO 5211, DIN 6885

Integrated coupling

Bore according to EN ISO 5211

With 4 keyways according to DIN 6885-1

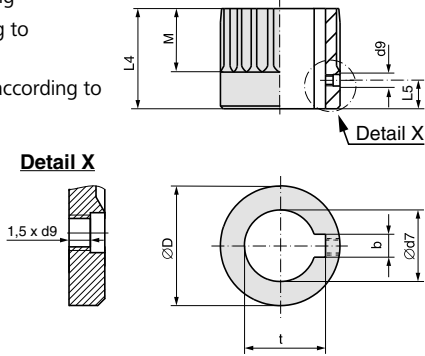


Dimensions	QQB 160.1			QQB 200.1			QQB 250.1		
EN ISO 5211	F25	F30	F35	F30	F35	F40	F35	F40	F48
b JS9 <sup>1)</sup>	According to DIN 6885-1								
Ø d7 H8 max.	130			160			190		
t <sup>1)</sup>	According to DIN 6885-1								

Plug-in coupling

Bore according to EN ISO 5211

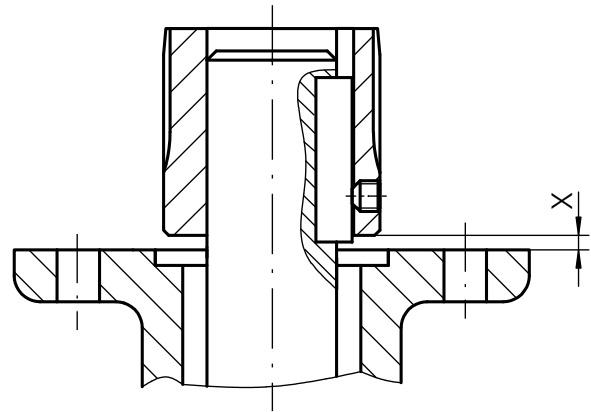
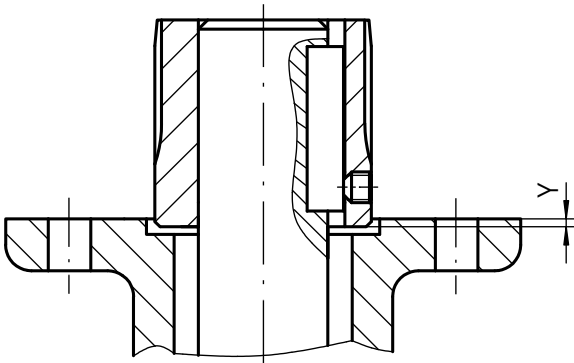
With keyway according to DIN 6885-1



Dimensions	QQB 160.1			QQB 200.1			QQB 250.1		
EN ISO 5211	F25	F30	F35	F30	F35	F40	F35	F40	F48
Ø D	149.4			179			209		
b JS9 <sup>1)</sup>	According to DIN 6885-1								
Ø d7 H8 max.	110			125			160		
d9 <sup>2)</sup>	M10			M12			M16		
L4	110			140			180		
L5	18			18			25		
M	70			94			105		
t <sup>1)</sup>	According to DIN 6885-1								

Mounting position of coupling

X max.	30	30	45	45	45	55	30	30	35
Y max.	15	15	0	10	10	0	5	5	0



1) Dimensions depend on Ø d7, refer to DIN 6885-1

2) Thread with grub screw