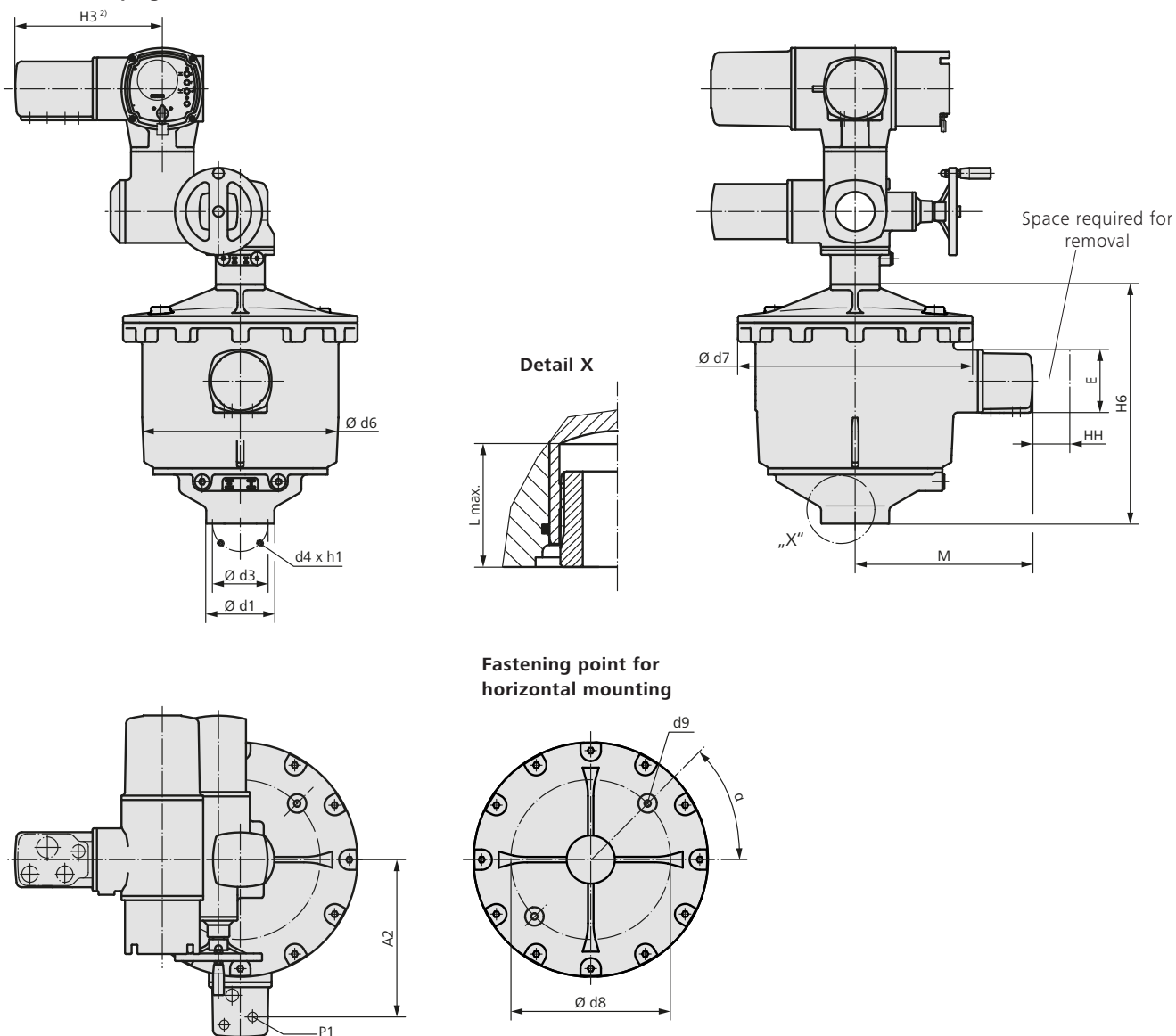


FQM 05.1 – FQM 12.1
SQ 05.2 – SQ 12.2 with AC 01.2

Dimensions Fail safe unit

with AUMA plug/socket connector



Fastening point for horizontal mounting

- 1) Flange for mounting part-turn actuator
 - 2) Electrical connection with elevated terminal compartment. Exact dimension depending on electrical connection used
 - 3) Combined flange F07/F10
- For all other dimensions, please refer to "Dimensions Part-turn actuators"

Output drives acc. to EN ISO 5211
For dimensions see overleaf

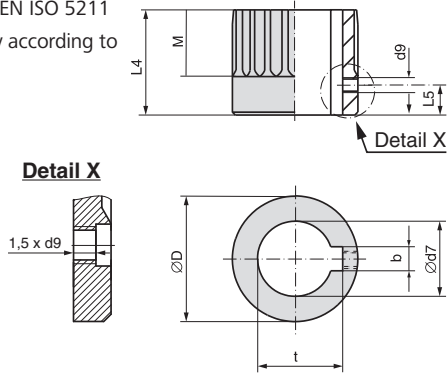
Dimensions	FQM 05.1/FQM 07.1		FQM 10.1		FQM 12.1	
	SQ 05.2/SQ 07.2		SQ 10.2		SQ 12.2	
EN ISO 5211	F07 ³⁾	F10 ³⁾	F10	F12	F12	F14
A2	289		304		304	
E	115		115		115	
H3 ²⁾	270		270		270	
H6	439		606	566	566	606
HH min.	30		30		30	
M	325		340		340	
L max.	45		100	60	60	100
P1	M20 x 1.5		M20 x 1.5		M20 x 1.5	
Ø d1	125	125	125	150	150	175
Ø d3	70	102	102	125	125	140
d4	4 x M8	4 x M10	4 x M10	4 x M12	4 x M12	4 x M16
Ø d6	360		474		474	
Ø d7	430		550		550	
Ø d8	260		350		350	
d9	M10		M12		M12	
h1	15	16	18	21	21	25
α	45°		45°		45°	
EN ISO 5211 ¹⁾	F07		F12		F12	

We reserve the right to alter data according to improvements made. Previous documents become invalid with the issue of this document.

FQM 05.1 – FQM 12.1
SQ 05.2 – SQ 12.2 with AC 01.2

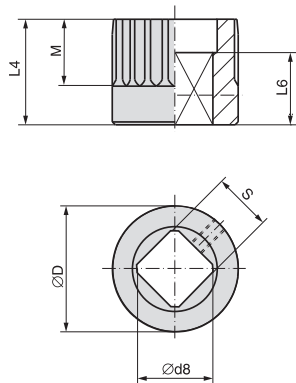
Dimensions Couplings according to EN ISO 5211

Bore acc. to EN ISO 5211
 With keyway according to
 DIN 6885-1



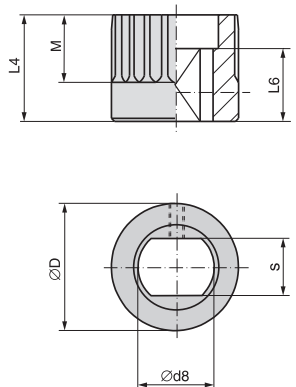
Dimensions	FQM 05.1/FQM 07.1		FQM 10.1		FQM 12.1	
	F07	F10	F10	F12	F12	F14
Ø D	41.75		67.6		67.6	
b JS9 ¹⁾	6		10		10	
Ø d7 H8 ²⁾	22		36		36	
Ø d7 max.	25.4		50		50	
d9 ³⁾	M5		M6		M6	
L4	35		95	55	55	95
L5 ³⁾	8		10		10	
M	20		40		40	
t ¹⁾	24.8		39.3		39.3	

Square bore
 According to EN ISO 5211



Dimensions	FQM 05.1/FQM 07.1		FQM 10.1		FQM 12.1	
	F07	F10	F10	F12	F12	F14
Ø D	41.75		67.6		67.6	
Ø d8 min. ²⁾	22.2		36.2		36.2	
Ø d8 max.	28.2		48.2		48.2	
L4	35		95	55	55	95
L6 min.	30		30		30	
M	20		40		40	
s H11 ²⁾	17		27		27	
s H11 max.	22		36		36	

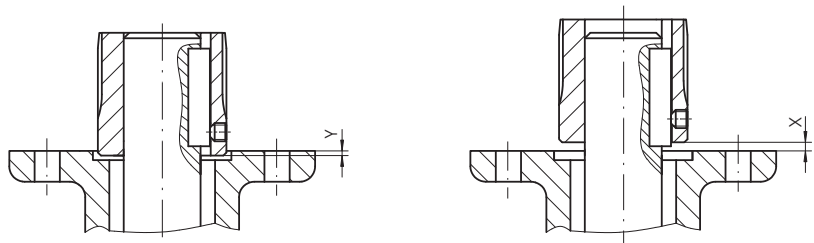
Bore with two-flats
 According to EN ISO 5211



Dimensions	FQM 05.1/FQM 07.1		FQM 10.1		FQM 12.1	
	F07	F10	F10	F12	F12	F14
Ø D	41.75		67.6		67.6	
Ø d8 min. ²⁾	22.2		36.2		36.2	
Ø d8 max.	28.2		48.2 (48 ⁴⁾)		48.2 (48 ⁴⁾)	
L4	35		95	55	55	95
L6 min.	25		30		30	
M	20		40		40	
s H11 ²⁾	17		27		27	
s H11 max.	22		36 (41 ⁴⁾)		36 (41 ⁴⁾)	

Mounting position of coupling

X max.	5	6	6
Y max.	5	10	10



1) Dimensions depend on Ø d7, refer to DIN 6885-1
 2) Recommended size according to EN ISO 5211
 3) Thread with grub screw
 4) According to DIN 475