

Z068.188

Adapter for power tool SVC 07.1 (for power tool emergency operation SVC/SVM)

References for operation and assembly

| Article no. | Description |
|-------------|--|
| Z068.188 | Order number for adapter for power tool related to SVC 07.1 and SVM 07.1 actuators |

Scope of delivery

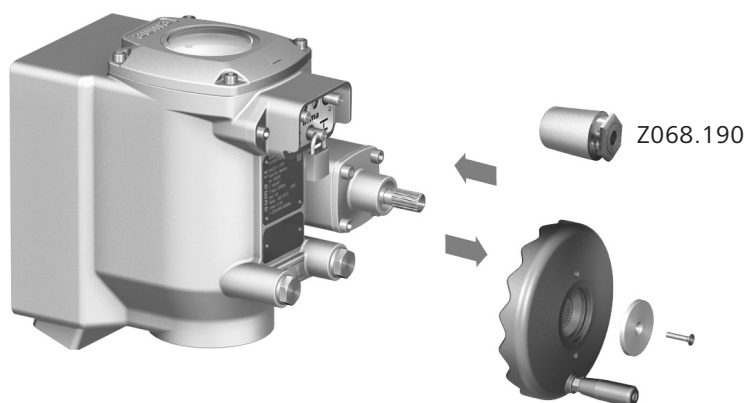


Z068.190

| Units | Article no. | Description |
|-------|-------------|---|
| 1 | Z068.190 | Adapter for power tool (for power tool emergency operation of SVC /SVM actuators) |

Assembly

- Remove screw at handwheel and remove handwheel.
- Place adapter for power tool Z068.190 on handwheel shaft.



References for operation

For safe actuator operation using the adapter for power tool, the maximum torques and output speeds at the handwheel indicated in the table below must not be exceeded.

| | Torque at handwheel for maximum actuator output torque | Respective maximum output speed at handwheel |
|--------------|--|--|
| SVC/SVM 05.1 | 10 Nm | 90 rpm |
| SVC/SVM 07.1 | 20 Nm | 70 rpm |
| SVC/SVM 07.1 | 40 Nm | 40 rpm |

| | Maximum torque at handwheel | Respective maximum output speed at handwheel |
|--------------|-----------------------------|--|
| SVC/SVM 05.1 | 15 Nm | 60 rpm |
| SVC/SVM 07.1 | 30 Nm | 50 rpm |
| SVC/SVM 07.1 | 40 Nm | 40 rpm |

| | Maximum output speed at handwheel | Respective maximum torque at handwheel |
|--------------|-----------------------------------|--|
| SVC/SVM 05.1 | 150 rpm | 6 Nm |
| SVC/SVM 07.1 | 150 rpm | 10 Nm |
| SVC/SVM 07.1 | 150 rpm | 10 Nm |

CAUTION: The handwheel shaft may only be subjected to slight axial and radial load to avoid damage to the seal.