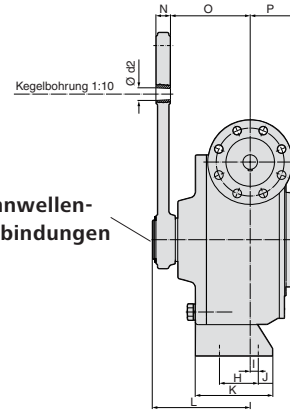
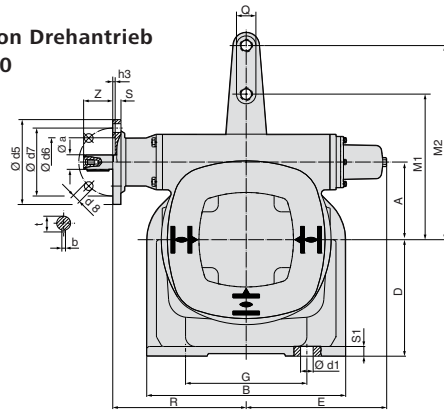


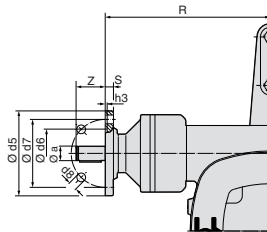
Maße Schwenkgetriebe mit Fuß und Hebel

Flansch zum Anbau von Drehantrieb
EN ISO 5210/DIN 3210



Zahnwellen-
Verbindungen

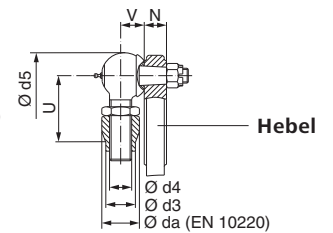
GS mit Vorgelege



Kugelgelenk

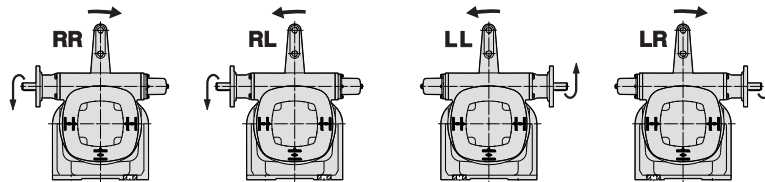
nur auf besondere Bestellung

Passendes Rohr EN 10220



Hebel

Ausführungen



| Maße | GS 160.3 | | | | GS 200.3 | | | | GS 250.3 | | | | | | |
|--|----------|------------|-------|------|----------|-------|-----------------|------|----------|-------|-------|------------|------|----|--|
| | 54:1 | 218:1 | 442:1 | 53:1 | 214:1 | 434:1 | 864:1 1752:1 | 52:1 | 210:1 | 411:1 | 848:1 | | | | |
| A | | 160 | | | | 200 | | | | 250 | | | | | |
| B | | 410 | | | | 510 | | | | 630 | | | | | |
| D | | 240 | | | | 300 | | | | 380 | | | | | |
| E | | 290 | | | | 367 | | | | 402 | | | | | |
| G | | 250 | | | | 320 | | | | 400 | | | | | |
| H | | 80 | | | | 95 | | | | 125 | | | | | |
| I | | 17 | | | | 24 | | | | 42 | | | | | |
| J | | 30 | | | | 35 | | | | 45 | | | | | |
| K | | 160 | | | | 200 | | | | 260 | | | | | |
| L | | 202 | | | | 232 | | | | 295 | | | | | |
| M1 | | 300 | | | | 500 | | | | 600 | | | | | |
| M2 | | 400 | | | | 650 | | | | 800 | | | | | |
| N h11 | | 30 | | | | 34 | | | | 42 | | | | | |
| O | | 164 | | | | 189 | | | | 244 | | | | | |
| P | | 95 | | | | 115 | | | | 140 | | | | | |
| Q | | 40 | | | | 50 | | | | 60 | | | | | |
| R | 275 | 340 | 340 | 340 | 425 | 425 | 470 | 400 | 480 | 480 | 525 | | | | |
| S1 | | 20 | | | | 25 | | | | 30 | | | | | |
| U min. | | 85 | | | | 95 | | | | 110 | | | | | |
| V | | 32 | | | | 36 | | | | 42 | | | | | |
| Z | 60 | 40 | 60 | 40 | 80 | 60 | 40 | 40 | 100 | 60 | 80 | 60 | 40 | 60 | |
| Ø a f7 | 30 | 20 | 30 | 20 | 40 | 30 | 20 | 20 | 50 | 30 | 40 | 30 | 20 | 30 | |
| b | 8 | 6 | 8 | 6 | 12 | 8 | 6 | 6 | 14 | 8 | 12 | 8 | 6 | 8 | |
| Ø da EN 10220 | | 48,3 x 4,0 | | | | | 48,3 x 4,0 | | | | | 60,3 x 5,0 | | | |
| Ø d1 | | 26 | | | | | 33 | | | | | 33 | | | |
| Ø d2 H8 | | 26 | | | | | 30 | | | | | 38 | | | |
| Ø d3 | | 40 | | | | | 40 | | | | | 50 | | | |
| Ø d4 | | M30 x 1,5 | | | | | M30 x 1,5 | | | | | M38 x 1,5 | | | |
| Ø d5 | | 62 | | | | | 69 | | | | | 85 | | | |
| t | 33 | 22,5 | 33 | 22,5 | 43 | 33 | 22,5 | 22,5 | 53,5 | 33 | 43 | 33 | 22,5 | 33 | |
| Flansch zum Anbau von Drehantrieb | | | | | | | | | | | | | | | |
| EN ISO 5210 | F10 | | | | | | | | F14 | | | | F25 | | |
| DIN 3210 | | | | | G0 | | | | G1/2 | | | | | | |
| Ø d5 | 125 | | | | 125 | | | | 175 | | | | 300 | | |
| Ø d6 | 70 | | | | 60 | | | | 100 | | | | 200 | | |
| Ø d7 | 102 | | | | 102 | | | | 140 | | | | 254 | | |
| Ø d8 | 11 | | | | 11 | | | | 18 | | | | 18 | | |
| h3 | 5 | | | | 5 | | | | 5 | | | | 6 | | |
| s | 12 | | | | 12 | | | | 17 | | | | 25 | | |

Durch die Weiterentwicklung bedingte Änderungen bleiben vorbehalten. Mit Erscheinen dieses Dokuments verlieren frühere Ausgaben ihre Gültigkeit.