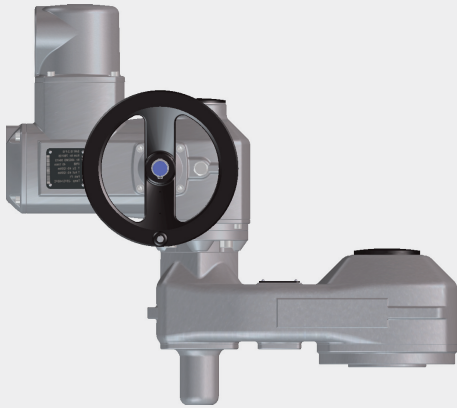
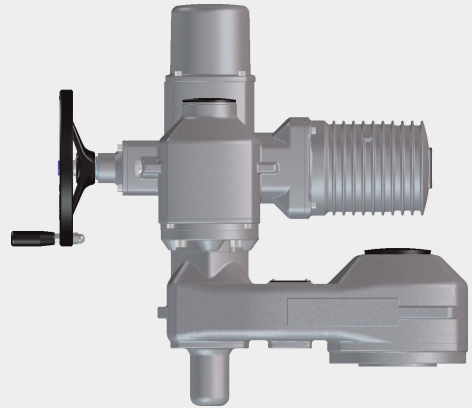


Mounting positions Multi-turn actuator with multi-turn gearbox

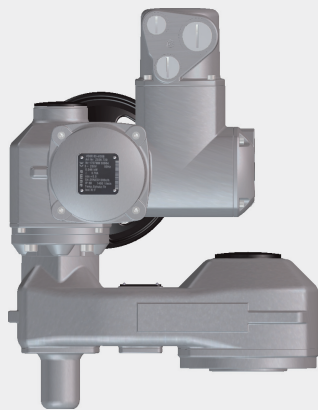
Mounting position A



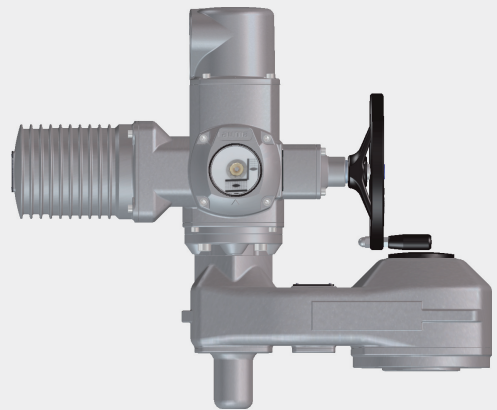
Mounting position B¹⁾



Mounting position C¹⁾



Mounting position D¹⁾²⁾



When selecting the mounting position, please consider the space constraints at the place of installation.
Mounting positions can easily be changed at a later date.

- 1) **Caution:** Mounting positions B, C and D are not possible for actuators with rising valve stem.
- 2) **Caution:** Mounting position D is not possible for specified actuator-gearbox combinations.