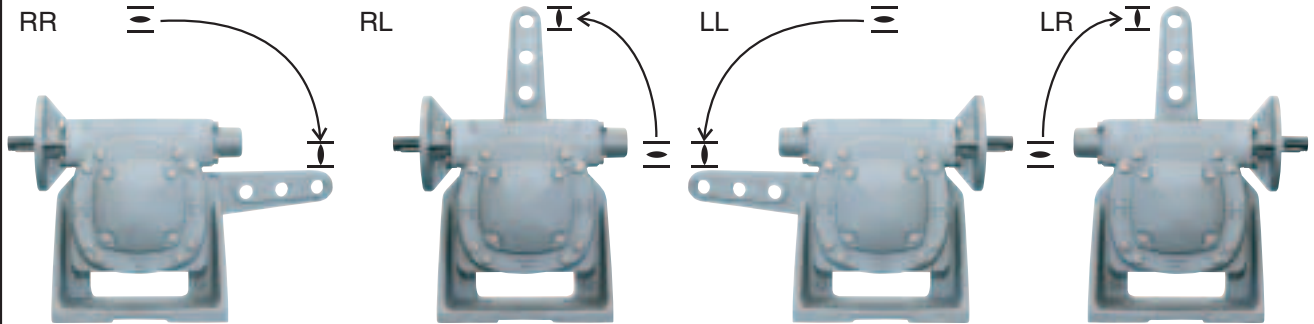


Versions GF 50.3 – GF 250.3

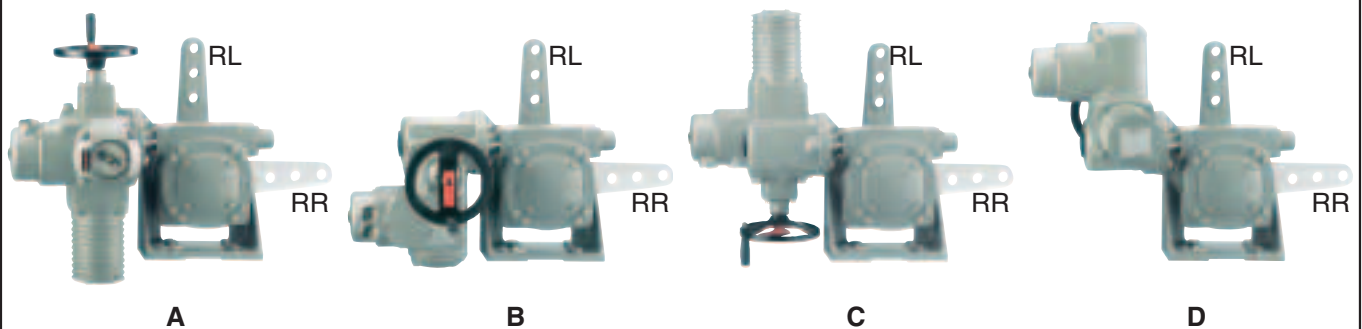


Description of the four versions (with view to pointer cover):
Unless ordered otherwise, the gearboxes are supplied in end position CLOSED:

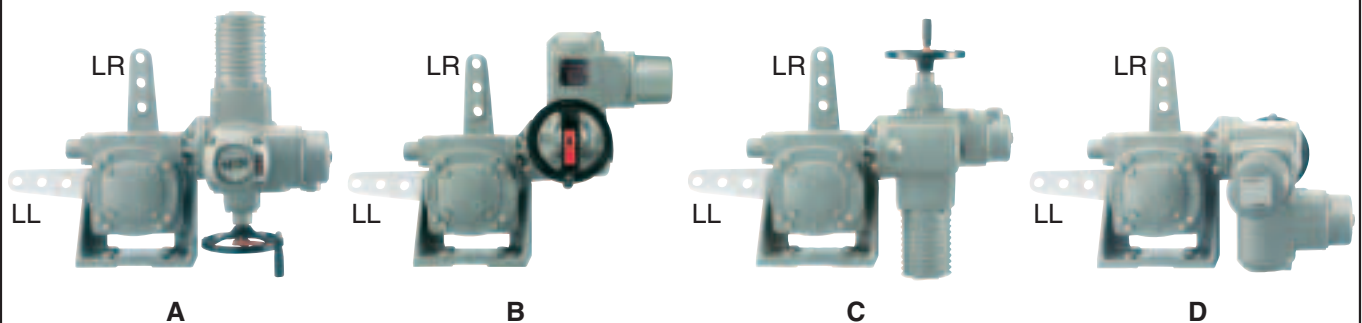
Code	Direction of rotation at input shaft	Position of the worm shaft	Direction of rotation at output drive
RR	clockwise	Right side	clockwise
LL	clockwise	Left side	counterclockwise
RL	clockwise	Right side	counterclockwise
LR	clockwise	Left side	clockwise

Mounting positions of AUMA multi-turn actuator with lever gearbox (please indicate when placing an order)
The mounting position on delivery is illustrated.

GF versions **RR/ RL**



GF versions **LL/ LR**



Mounting positions may easily be changed at a later date.

Up to size GF 125.3, the actuator - gearbox combination is supplied in the ordered mounting position.
For packing reasons, actuator and gearbox are supplied separately from size GF 160.3, whereas the levers are vertically mounted.

Note: For version SA 14.1/14.5 with GF 125.3, mounting positions “C”, version RR/RL, and “A”, version LL/LR, are not available.

We reserve the right to alter data according to improvements made. Previous documents become invalid with the issue of this document.