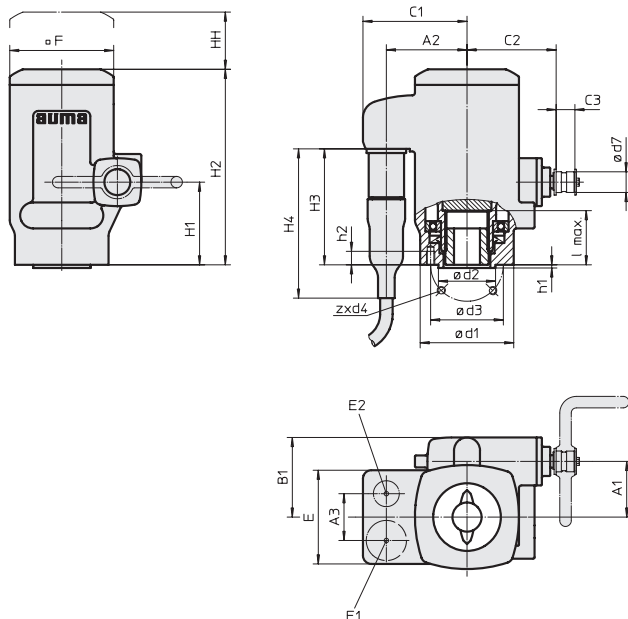
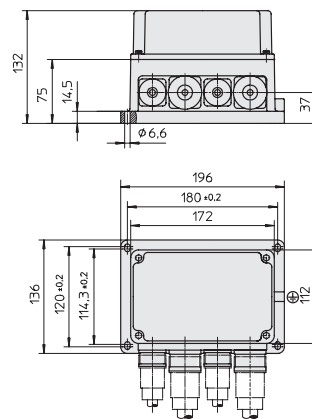


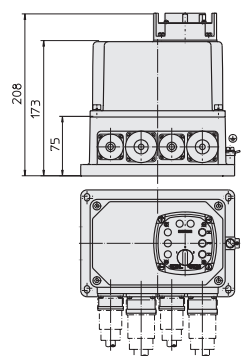
Valve actuators in marine-version



Electronic controls MEC 02.1



Electronic controls MEC 02.1 with local controls



Valve attachment according to EN ISO 5211
 Dimensions of coupling see next page
 Operating elements according to VG 85 081 refer to separate dimension sheet

Type	SV 05.1	SV 07.1
EN ISO 5211	F07	F07
A1	42	67
A2	65	90
A3	39	45
B1	63	96
C1	87	113
C2	76	110
C3	18	18
Ø d7	W 20 x 0,6 x 0,32 x 8f DIN 5480	
E	80	92
E1	plug / socket connector, 17 poles	
E2	plug / socket connector, 5 poles	
F	80	125
H1	74	99
H2	170	225
H3	102	143
H4	144	144
HH	50	50
Ø d1	90	90
Ø d2 f8	55	55
Ø d3	70	70
d4	M8	M8
h1	3	3
h2	13	13
L max.	40	50
z	4	4

We reserve the right to alter data according to improvements made. Previous documents become invalid with the issue of this document.

