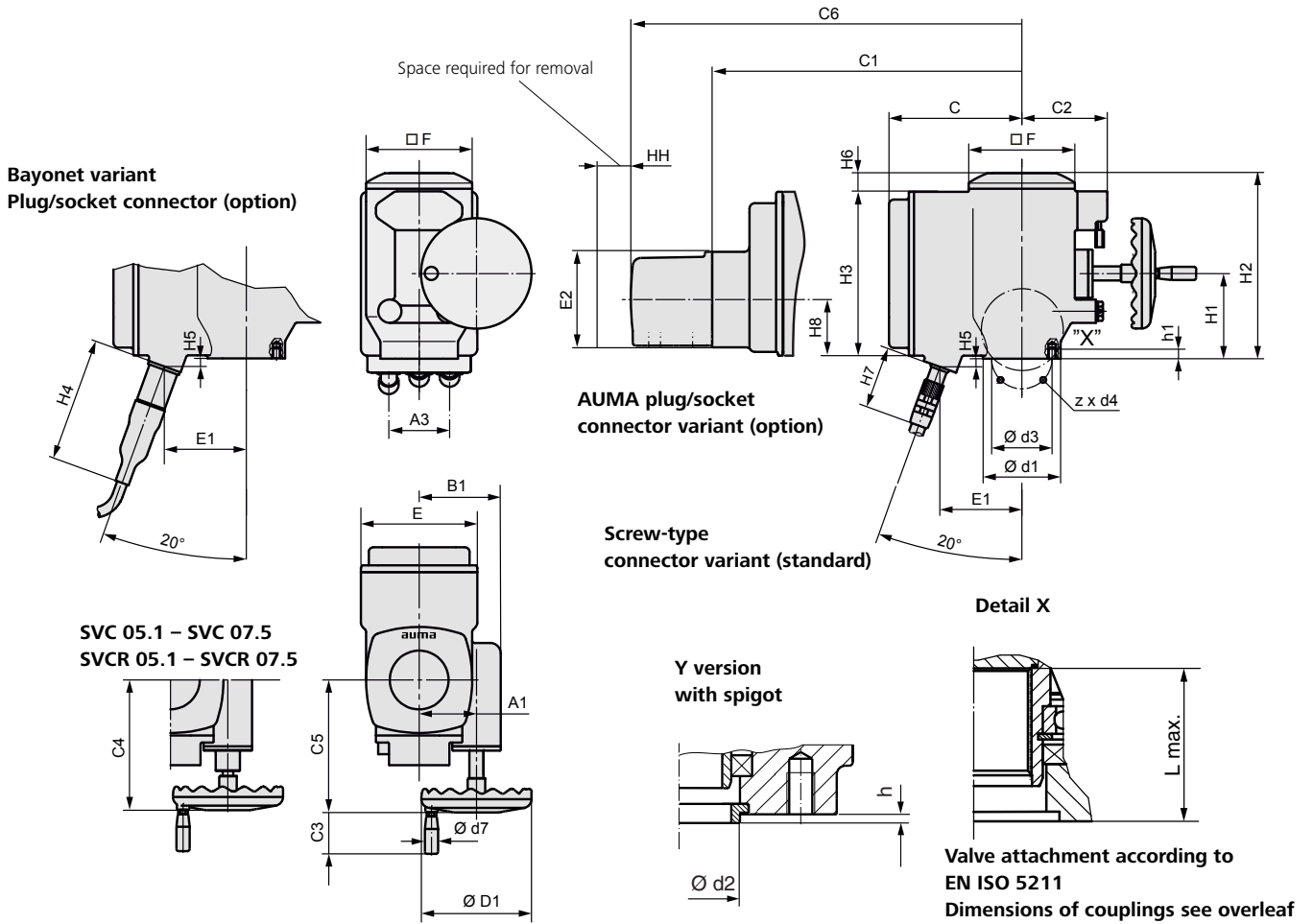


Dimensions Part-turn/globe valve actuators with integral actuator controls



Valve attachment according to EN ISO 5211
 Dimensions of couplings see overleaf

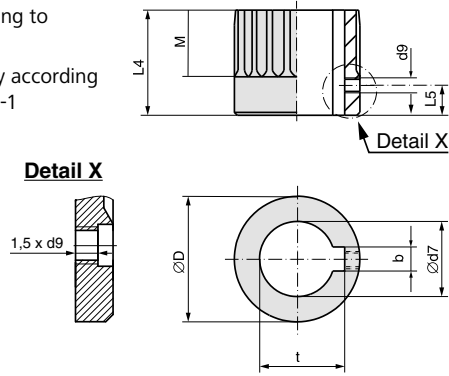
Dimensions	SGC/SGCR 04.1/SGC/SGCR 05.1 SVC/SVCR 05.1		SGC/SGCR 07.1 SVC/SVCR 07.1/SVC/SVCR 07.5		SGC(R) 10.1	
	F05	F07	F07	F07	F10	F10
EN ISO 5211						
A1		53.5		66.5		82.5
A3		80		80		80
B1		77		95		111
C		144		155		155
C1		199		210		210
C2		87		99		114
C3		47		47		60
C4		140		150		-
C5		138		153		174
C6		299		310		310
Ø D1		100		125		160
E		125		135		135
E1		90		100		115
E2		115		115		115
F		100		123		152
H1		84.5		101.5		111
H2		194		219		244
H3		165		190		190
H4		144		144		144
H5		4		10		17
H6		20		23		24
H7		81		81		81
H8		62.5		67.5		67.5
HH min.		30		30		30
L max.		40		50		60
Ø d1		90		90		125
Ø d2 f8	35		55	55		70
Ø d3	50		70	70		102
d4	M6		M8	M8		M10
Ø d7		15		15		20
h		3		3		3
h1	12		15	15		14
z		4		4		4

We reserve the right to alter data according to improvements made. Previous documents become invalid with the issue of this document.

SGC 04.1 – SGC 10.1/SGCR 04.1 – SGCR 10.1
SVC 05.1 – SVC 07.5/SVCR 05.1 – SVCR 07.5

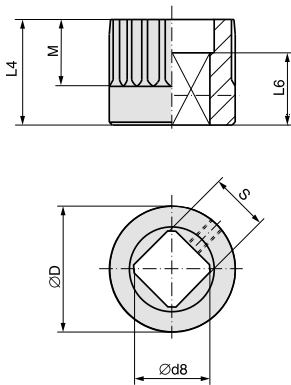
Dimensions Couplings according to EN ISO 5211, DIN 6885

Bore according to
EN ISO 5211
With keyway according
to DIN 6885-1



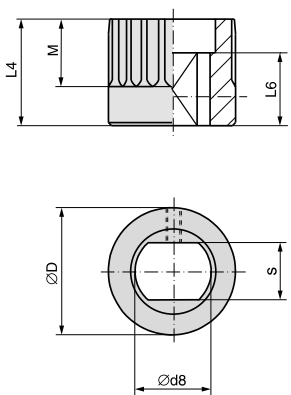
Dimensions	SGC(R) 04.1/SGC(R) 05.1 SVC(R) 05.1		SGC(R) 07.1 SVC(R) 07.1/SVC(R) 07.5	SGC(R) 10.1
	F05	F07	F07	F10
EN ISO 5211	F05	F07	F07	F10
Ø D	31.75		41.75	51.75
b JS9 ¹⁾	6		6	8
Ø d7 H8 ²⁾	18		22	28
Ø d7 max.	20		25.4	38
d9 ³⁾	M4		M5	M6
L4	35		35	45
L5 ³⁾	8		8	10
M	20		20	35
t ¹⁾	20.8		24.8	31.3

Square bore
according to EN ISO 5211



Dimensions	SGC(R) 04.1/SGC(R) 05.1 SVC(R) 05.1		SGC(R) 07.1 SVC(R) 07.1/SVC(R) 07.5	SGC(R) 10.1
	F05	F07	F07	F10
EN ISO 5211	F05	F07	F07	F10
Ø D	31.75		41.75	51.75
Ø d8 min. ²⁾	18.1		22.2	28.2
Ø d8 max.	22.2		28.2	40.2 ⁴⁾
L4	35		35	45
L6 min.	30		30	30
M	20		20	35
s H11 ²⁾	14		17	22
s H11 max.	17		22	30 ⁴⁾

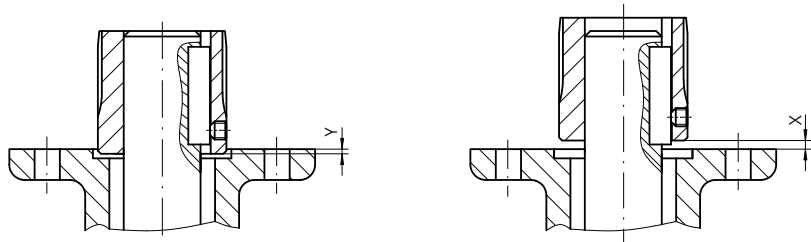
Bore with two-flats
according to EN ISO 5211



Dimensions	SGC(R) 04.1/SGC(R) 05.1 SVC(R) 05.1		SGC(R) 07.1 SVC(R) 07.1/SVC(R) 07.5	SGC(R) 10.1
	F05	F07	F07	F10
EN ISO 5211	F05	F07	F07	F10
Ø D	31.75		41.75	51.75
Ø d8 min. ²⁾	18.1		22.2	28.2
Ø d8 max.	22.2		28.2	36.2
L4	35		35	45
L6 min.	25		25	25
M	20		20	35
s H11 ²⁾	14		17	22
s H11 max.	17		22	27

Mounting position of coupling

X max.	2.5	3.5
Y max.	6	10



- 1) Dimensions depend on Ø d7, refer to DIN 6885-1
- 2) Recommended size according to EN ISO 5211
- 3) Thread with grub screw
- 4) According to DIN 79