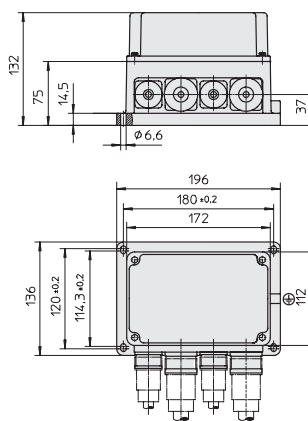
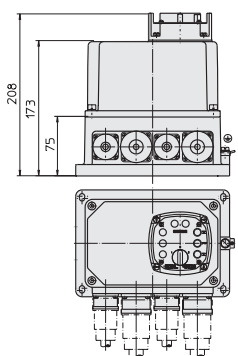


Electronic controls MEC 02.1



Electronic controls MEC 02.1 with local controls



Valve attachment according to EN ISO 5211  
 Dimensions of coupling see next page  
 Operating elements according to VG 85 081 refer to separate dimension sheet

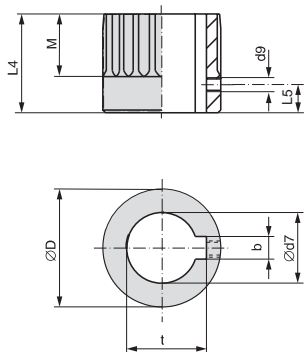
Type	SG 04.2	SG 05.2	SG 07.2	SG 10.2
EN ISO 5211	F07	F07	F07	F10
A1	42	54	67	83
A2	65	78	90	106
A3	39	45	45	45
B1	63	77	96	111
C1	87	100	113	129
C2	76	86	110	117
C3	18	18	18	18
Ø d7	W 20 x 0,6 x 0,32 x 8f DIN 5480			
E	80	90	92	92
E1	plug / socket connector, 17 poles			
E2	plug / socket connector, 5 poles			
F	80	100	125	154
H1	74	80	99	111
H2	170	188	225	253
H3	102	112	143	171
H4	144	144	144	144
HH	50	50	50	70
Ø d1	90	90	90	125
Ø d2 f8	55	55	55	70
Ø d3	70	70	70	102
d4	M8	M8	M8	M10
h1	3	3	3	3
h2	13	13	13	22
L max.	40	40	50	60
z	4	4	4	4

We reserve the right to alter data according to improvements made. Previous documents become invalid with the issue of this document.

**SG 04.2 - SG 10.2**

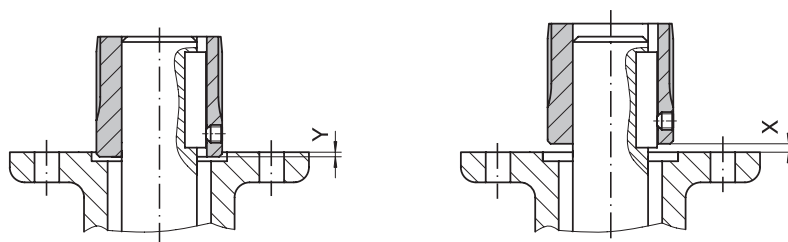
**Dimensions coupling**

Bore acc. to EN ISO 5211 with keyway acc. to DIN 6885 part 1



Type	SG 04.2	SG 05.2	SG 07.2	SG 10.2
EN ISO 5211	F07	F07	F07	F10
Ø D	24,8	31,75	41,75	51,75
b JS9 <sup>1)</sup>	5	6	6	8
Ø d7 H8 <sup>2)</sup>	14	18	22	28
Ø d7 max.	15	20	25,4	38
d9 <sup>3)</sup>	M4	M4	M5	M6
L 4	35	35	35	45
L 5 <sup>3)</sup>	8	8	8	10
M	17	20	20	35
t <sup>1)</sup>	16,3	20,8	24,8	31,3
<b>Square bore acc. to EN ISO 5211</b>				
Ø D	24,8	31,75	41,75	51,75
Ø d8 <sup>2)</sup>	14,1	18,1	22,2	28,2
Ø d8 max.	18,1	22,2	28,2	40,2 <sup>4)</sup>
L 4	35	35	35	45
L 6 min.	30	30	30	30
M	17	20	20	35
s H11 <sup>2)</sup>	11	14	17	22
s H11 max.	14	17	22	30 <sup>4)</sup>
<b>Bore with two-flats acc. to EN ISO 5211</b>				
Ø D	24,8	31,75	41,75	51,75
Ø d8 <sup>2)</sup>	14,1	18,1	22,2	28,2
Ø d8 max.	18,1	22,2	28,2	36,2
L 4	35	35	35	45
L 6 min.	25	25	25	25
M	17	20	20	35
s H11 <sup>2)</sup>	11	14	17	22
s H11 max.	14	17	22	27
X max.	3	2,5	2,5	3,5
Y max.	5	6	6	10

**Mounting position of coupling**



- 1) Dimensions depend on Ø d7, refer to DIN 6885 part 1
- 2) recommended size according to EN ISO 5211
- 3) Thread and grub screw
- 4) according to DIN 79
- 5) according to DIN 475

We reserve the right to alter data according to improvements made. Previous documents become invalid with the issue of this document.