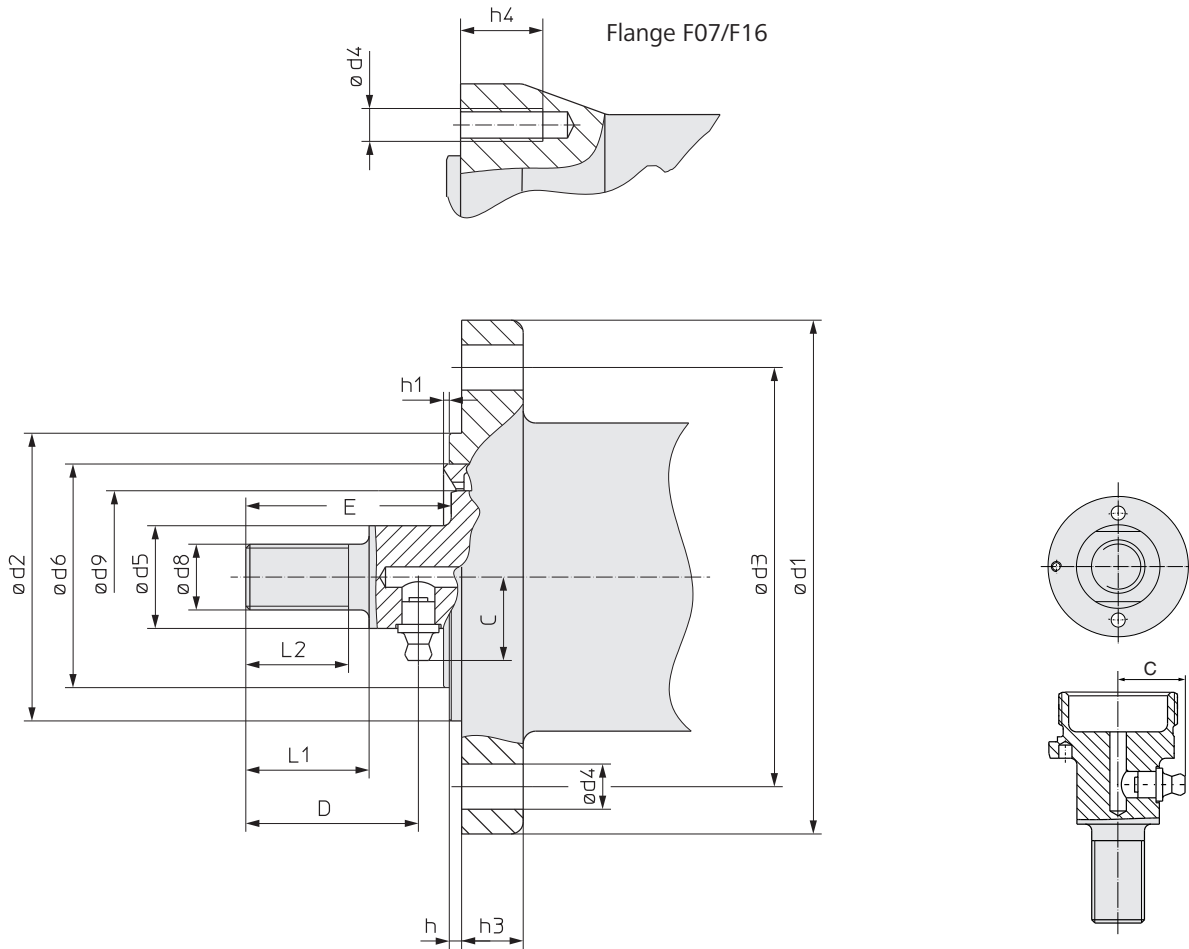


Dimensions Linear thrust unit



1) Spigot for F07

Dimensions	Coupling stud LE 12.1		LE 25.1		LE 50.1	LE 70.1/ LE 100.1	LE 200.1
	F07	F10	F07	F10	F10	F14	F16
C	18		21		24	26	29
D	37		42		43	63	76
E ±0.2	45		50		55	75	90
L1	25		30		35	–	–
L2	20		25		30	55	65
Ø d1	□ 75	125	□ 75	125	125	175	210
Ø d2	(55 g7 = d6)	70 f8	(55 g7 = d6)	70 f8	70 g7	100 f8	130 f8
Ø d3	70	102	70	102	102	140	165
Ø d4 (4 x)	M8	11	M8	11	11	18	M20
Ø d5	20		25		32	36	42
Ø d6 g7	–	55 ¹⁾	–	55 ¹⁾	–	–	120
Ø d8	M12 x 1.25		M16 x 1.5		M20 x 1.5	M36 x 3	M42 x 3
Ø d9 -0,1	42		42		55	70	100
h	3.4	3	3.4	3	3.4	4	4
h1	–	0.5	–	0.5	–	–	0.5
h3	–	15	–	15	15	18	–
h4	20	–	20	–	–	–	32
Screws min.	Quality 8.8						
Grease nipple A-D8 according to	DIN 71412						

We reserve the right to alter data according to improvements made. Previous documents become invalid with the issue of this document.