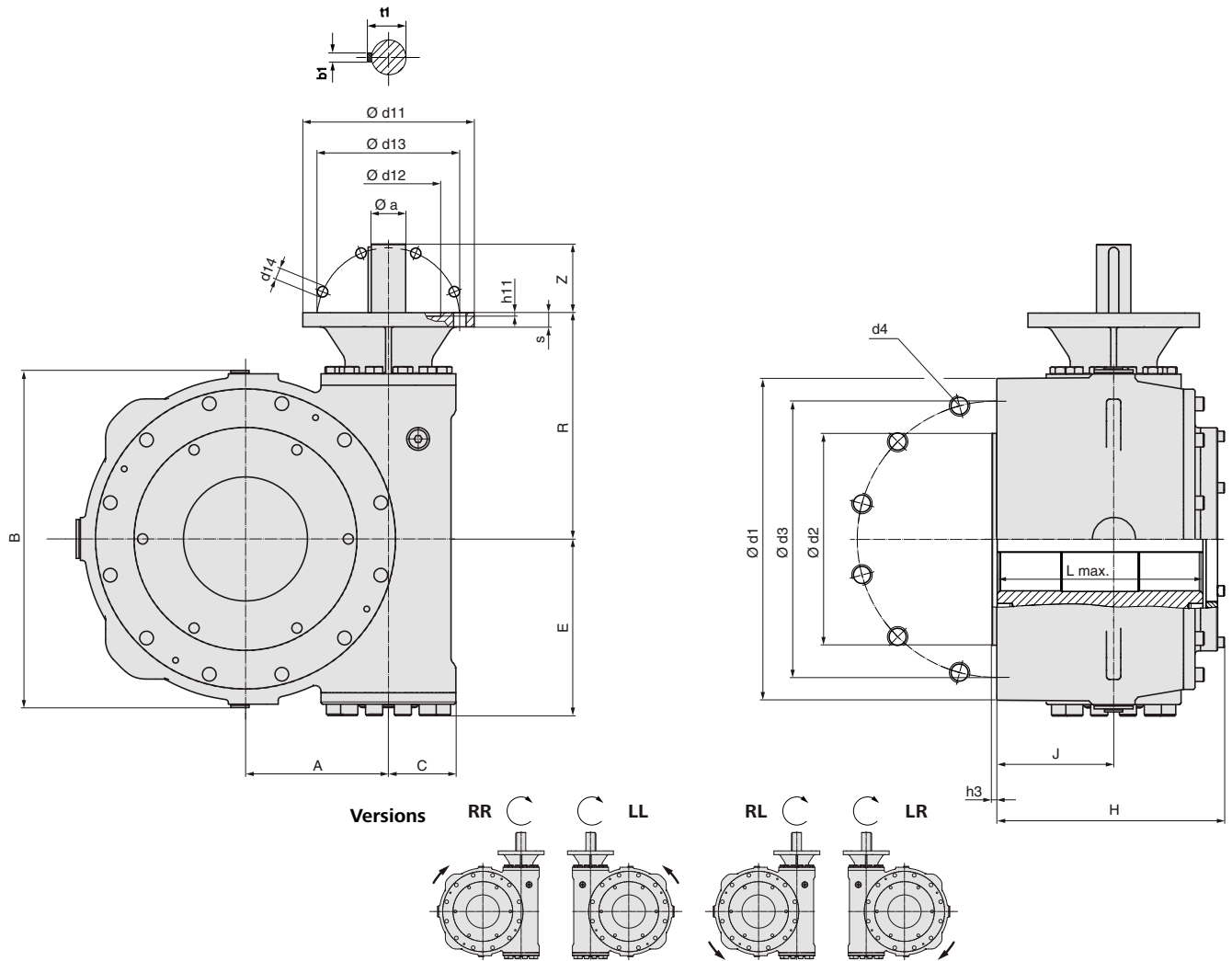


Dimensions Multi-turn gearboxes



Dimensions	GHT 320.3	GHT 500.3	GHT 800.3	GHT 1200.3
EN ISO 5211	F48	F60	F60	F60
A	250	315	355	400
B	590	721	793	883
C	118	145	163	169
E	313	364	398	441
H	399	460	496	624
J	205	236	254	323
L max.	360	422	456	586
R	396	442	475	518
$\varnothing a \text{ f7}$	60	80	100	100
b_1	18	22	28	28
$\varnothing d_1$	560	686	686	686
$\varnothing d_2 \text{ f8}$	370	470	470	470
$\varnothing d_3$	483	603	603	603
d_4	12 x M36 x 55	20 x M36 x 55	20 x M36 x 55	20 x M36 x 55
h_3	8	8	8	8
t_1	64	85	106	106
z	120	180	200	200
Input flange acc. to EN ISO 5210	F25/F30	F30/F35	F35/F40	F35/F40

Flange for mounting multi-turn actuator				
EN ISO 5210	F25	F30	F35	F40
$\varnothing d_{11}$	300	350	415	475
$\varnothing d_{12} \text{ H8}$	200	230	260	300
$\varnothing d_{13}$	254	298	356	406
$\varnothing d_{14}$	8 x 17,5	8 x 22	8 x 33	8 x 39
h_{11}	6	6	9	9
s	25	25	30	30

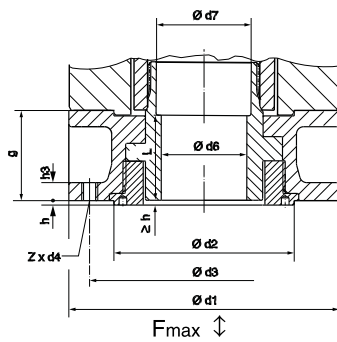
We reserve the right to alter data according to improvements made. Previous documents become invalid with the issue of this document.

Dimensions Valve attachments according to EN ISO 5211

Output drive type

A

Stem nut



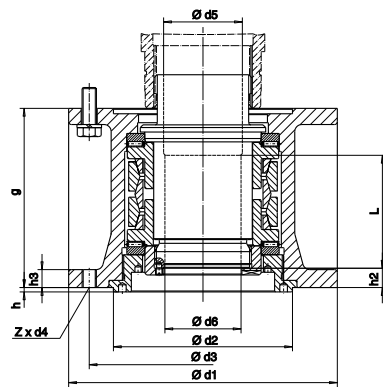
with involute splines

Dimensions	GHT 320.3		GHT 500.3	GHT 800.3	GHT 1200.3
EN ISO 5211	F48	F60	F60	F60	F60
F max. [kN]	2000	4000	4000	4000	4000
Ø d1	560	686	686	686	686
Ø d2	370	470	470	470	470
Ø d3	483	603	603	603	603
d4	M36	M36	M36	M36	M36
Ø d6 max.	175	180	180	180	180
Ø d7	178	181	181	181	181
g	270	415	415	415	415
h	8	8	8	8	8
h3	45	55	55	55	55
L	214	367	367	367	367
Z	12	20	20	20	20
Weight [kg]	103	480	565	565	565

Output drive type

AF

Spring loaded stem nut

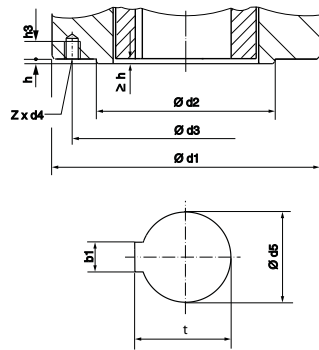


Dimensions	GHT 320.3		GHT 500.3	GHT 800.3	GHT 1200.3
EN ISO 5211	F48	F60	F60	F60	F60
F max. [kN]	2630	2630			
Ø d1	560	686			
Ø d2 f8	370	470			
Ø d3	483	603			
d4	M36	M36			
Ø d5	181	181			
Ø d6 max.	180	180	on request	on request	on request
g	585	585			
h	7	7			
h2	59	59			
h3	50	55			
L	375	375			
Z	12	20			
Weight [kg]	740	780			

Output drive type

B

Bore with keyway according to DIN 6885-1

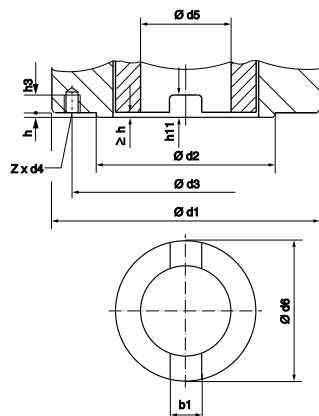


Dimensions	GHT 320.3	GHT 500.3	GHT 800.3	GHT 1200.3
EN ISO 5211	F48	F60	F60	F60
Ø d1	560	686	686	686
Ø d2 f8	370	470	470	470
Ø d3	483	603	603	603
d4	M36	M36	M36	M36
Ø d5 H7	120	135	160	180
Ø d5 H7 max.	180	180	180	180
h	8	8	8	8
h3	55	55	55	55
b1 js9 ¹⁾	32	36	40	45
t ¹⁾	127.4	143.4	169.4	190.4
Z	12	20	20	20

Output drive type

C

Dog coupling (dimensions acc. to DIN 3338)



Dimensions	GHT 320.3	GHT 500.3	GHT 800.3	GHT 1200.3
EN ISO 5211	F48	F60	F60	F60
Ø d1	560	686	686	686
Ø d2 f8	370	470	470	470
Ø d3	483	603	603	603
d4	M36	M36	M36	M36
Ø d5	180	180	180	180
Ø d6	259	259	259	259
h	8	8	8	8
h3	55	55	55	55
h11	58	58	58	58
b1	85	85	85	85
Z	12	20	20	20

1) Dimensions depend on Ø d7, refer to 6885-1

We reserve the right to alter data according to improvements made. Previous documents become invalid with the issue of this document.