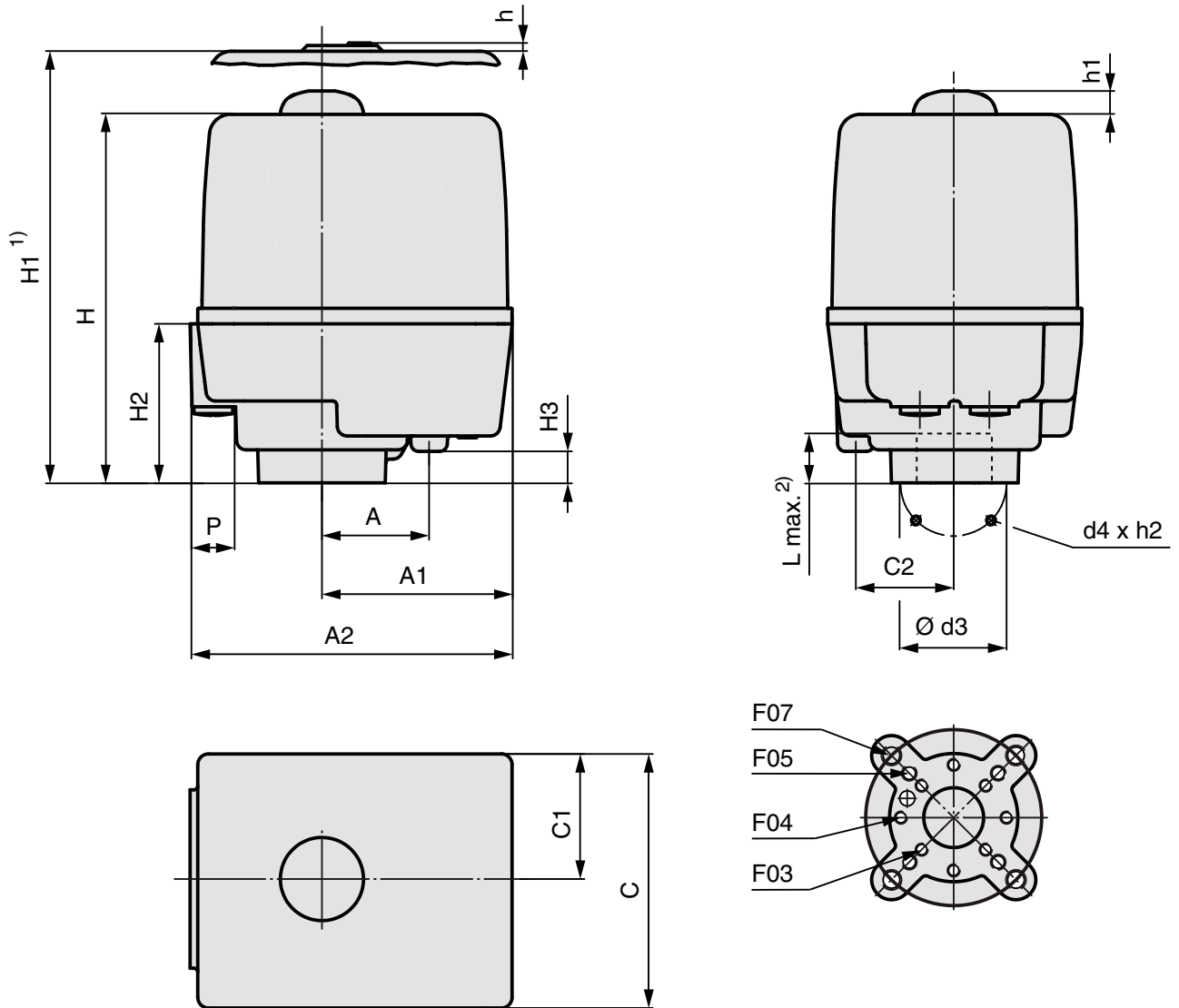


Dimensions Part-turn actuators



1) Dimensions for actuator with aluminium hood
 2) Max. fitting dimension

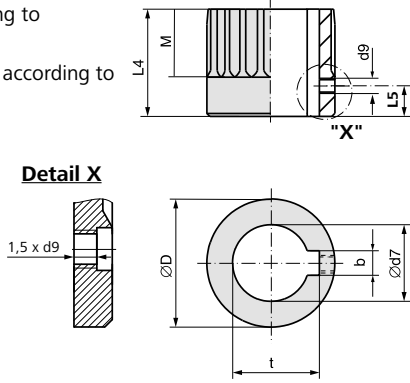
Output drives according to EN ISO 5211
 Dimensions of couplings see overleaf

Dimensions	ED 25 – ED 50			
	F03	F04	F05	F07
EN ISO 5211				
A		55		
A1		98		
A2		166		
C		131		
C1		65		
C2		50		
H		190		
H1 ¹⁾		220		
H2		82		
H3		16		
L max. ²⁾		30		
P	2 x M16 x 1.5			
Ø d3	36	42	50	70
Ø d4	4 x M5	4 x M5	4 x M6	4 x M8
h		4		
h1		12		
h2	8	8	9	12

We reserve the right to alter data according to improvements made. Previous documents become invalid with the issue of this document.

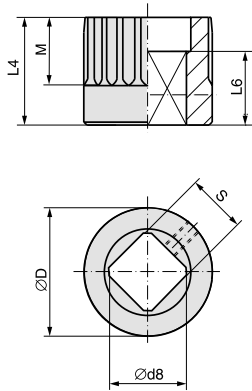
Dimensions Couplings according to EN ISO 5211

Bore according to EN ISO 5211
With keyway according to DIN 6885-1



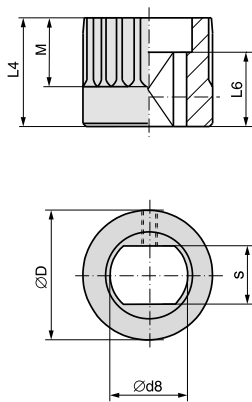
Dimensions	ED 25 – ED 50			
	F03	F04	F05	F07
EN ISO 5211				
Ø D	24.8			
b JS9 ¹⁾	nach DIN 6885-1			
Ø d7 max.	15			
d9 ²⁾	M4			
L4	25			
L5 ²⁾	5			
M	17			
t ¹⁾	nach DIN 6885-1			

Square bore according to EN ISO 5211



Dimensions	ED 25 – ED 50			
	F03	F04	F05	F07
EN ISO 5211				
Ø D	24.8			
Ø d8 max.	18.1			
L4	25			
L6 min.	25			
M	17			
s H11 max.	14			

Bore with two-flats according to EN ISO 5211



Dimensions	ED 25 – ED 50			
	F03	F04	F05	F07
EN ISO 5211				
Ø D	24.8			
Ø d8 max.	18.1			
L4	25			
L6 min.	25			
M	17			
s H11 max.	14			

1) Dimensions depend on Ø d7, refer to DIN 6885-1
2) Thread with grub screw