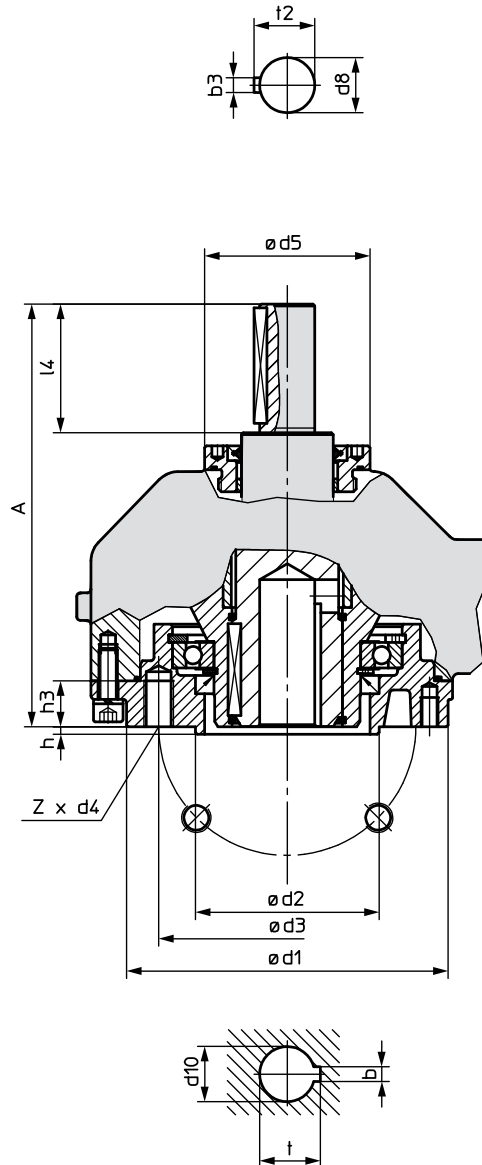


Dimensions Output drive types B3D/ED, bore with keyway, shaft end top

Output drive type
EN ISO 5210 B3D
DIN 3210 ED



Dimensions EN ISO 5210/DIN 3210	GST 10.1		GST 14.1/GST 14.5		GST 16.1	
	F10	G0	F14	G1/2	F16	G3
A	180		230		355	
b JS9	6		8		12	
b3	6		8		12	
Ø d1	125		175		210	
Ø d2	70	60	100		130	
Ø d3	102		140		165	
d4	M10		M16		M20	
Ø d8 g6	20		30		40	
Ø d10	20		30		40	
h	3		4		5	
h3	15		25		30	
l4	50		70		90	
t	22.8		33.3		43.3	
t2	22.5		33		43	
Z	4		4		4	

We reserve the right to alter data according to improvements made. Previous documents become invalid with the issue of this document.