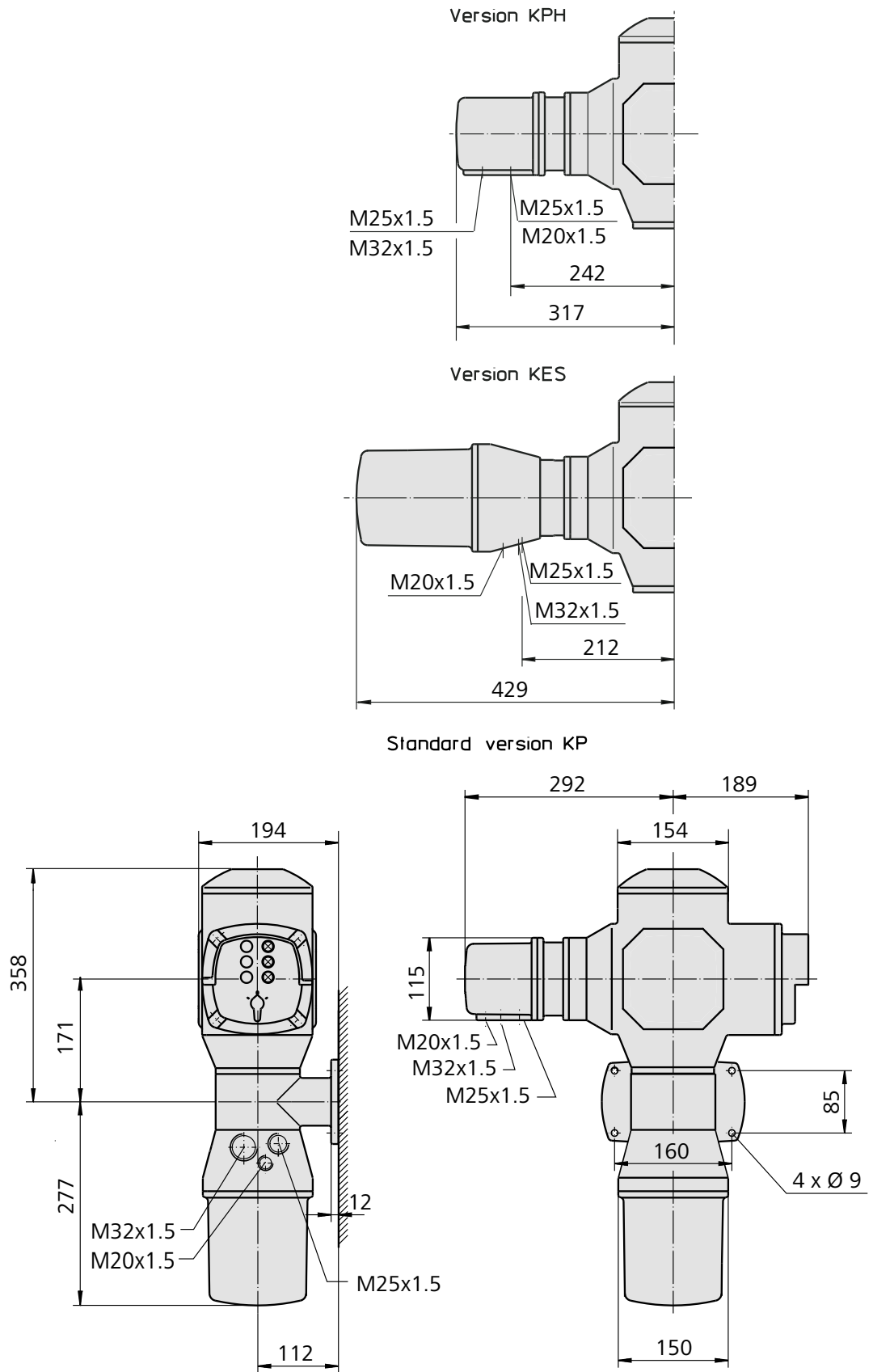


Dimensions AMExC 01.1 wall bracket



We reserve the right to alter data according to improvements made. Previous documents become invalid with the issue of this document.