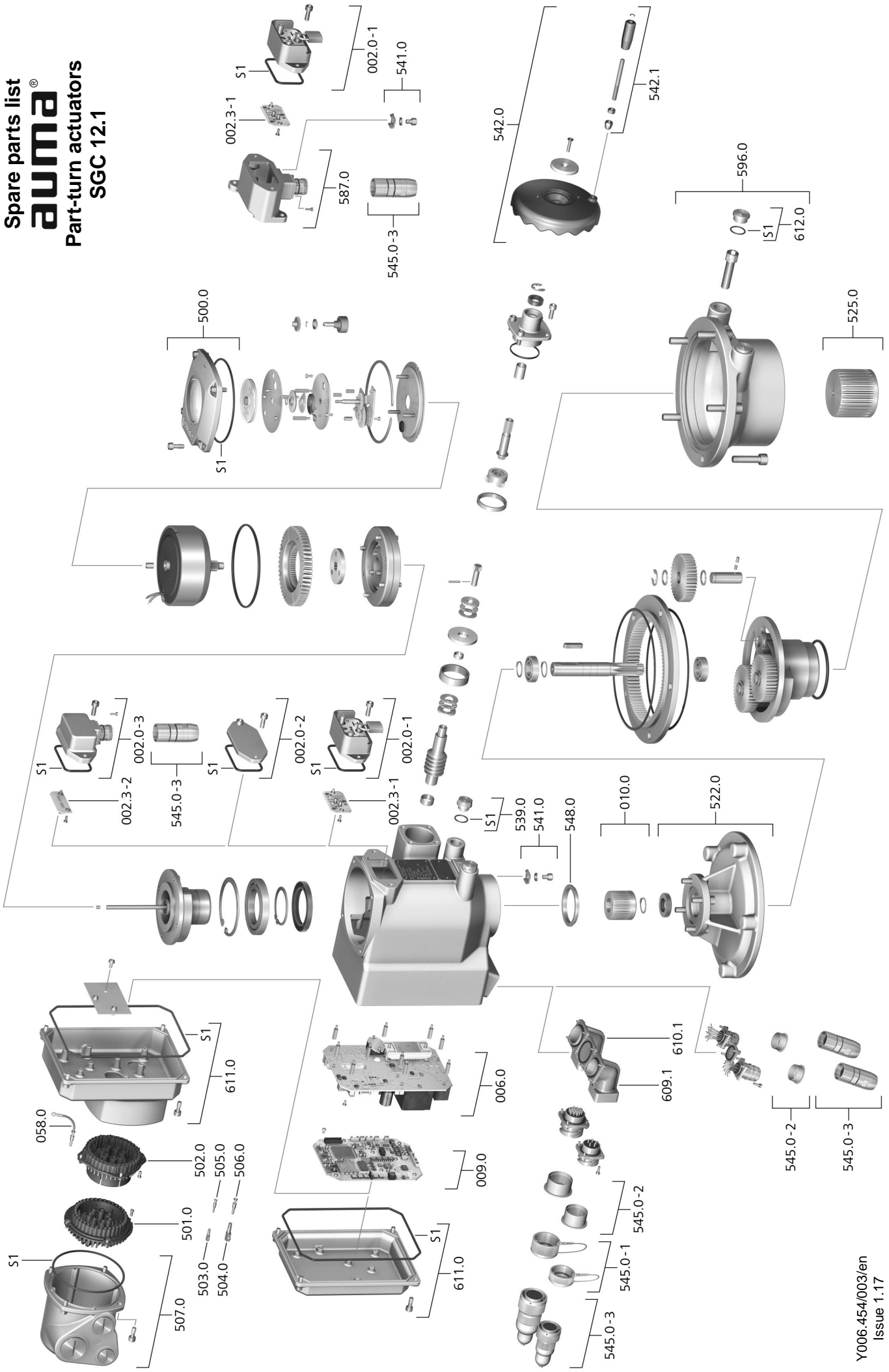


Spare parts list
auma[®]
 Part-turn actuators
 SGC 12.1



Please state device type and our order number (see name plate) when ordering spare parts. Only original AUMA spare parts should be used. Failure to use original spare parts voids the warranty and exempts AUMA from any liability. Representation of spare parts may slightly vary from actual delivery.

Ref. no.	Designation	Type
002.0-1	Local controls	Sub-assembly
002.0-2	Cover (for version without local controls)	Sub-assembly
002.0-3	Cover with socket for connecting separately mounted local controls	Sub-assembly
002.3-1	Local controls board for 022.0-1	Sub-assembly
002.3-2	Board in connecting cover for 022.0-3	Sub-assembly
006.0	Power supply unit/switchgear	
009.0	Logic board	Sub-assembly
010.0	Coupling	Sub-assembly
058.0	Wire for protective earth	Sub-assembly
500.0	Cover	Sub-assembly
501.0	Socket carrier (complete with sockets)	Sub-assembly
502.0	Pin carrier without pins	Sub-assembly
503.0	Socket for control	Sub-assembly
504.0	Socket for motor	Sub-assembly
505.0	Pin for controls	Sub-assembly
506.0	Pin for motor	Sub-assembly
507.0	Cover for electrical connection	Sub-assembly
522.0	Flange	Sub-assembly
525.0	Coupling	Sub-assembly
539.0	Screw plug	
541.0	Protective earthing	Sub-assembly
542.0	Handwheel	Sub-assembly
542.1	Ball handle	Sub-assembly
545.0-1	Protective cap with cord	Sub-assembly
545.0-2	Protective cap without cord	Sub-assembly
545.0-3	Mating plug	Sub-assembly
548.0	Spigot ring	
587.0	Wall bracket	
596.0	Output drive flange	Sub-assembly
609.1	Angle adapter for mains cables	Sub-assembly
610.1	Angle adapter for control contacts	Sub-assembly
611.0	Cover	Sub-assembly
612.0	Screw plug for end stop	
S1	Seal kit, small	Set