

- 1) Exact dimension depending on motor used
- 2) Standard, other threads on request
- 3) Allowance for spigot is not available as standard
The spigot ring is a separate component, available as option.
- 4) Option: Enclosure protection IPxx-DS, cover for electrical connection with additional frame
- 5) Combined flange F05/F07 without spigot (standard). As an alternative an individual flange F07 can be ordered with/without spigot

Output drives according to EN ISO 5211
For dimensions see overleaf

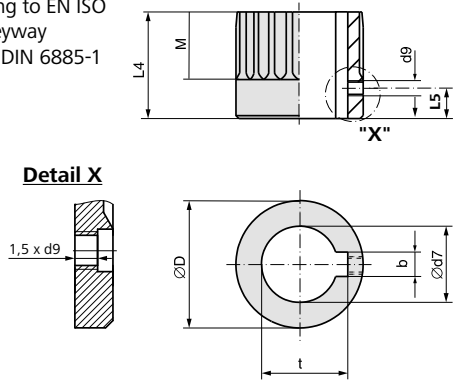
Dimensions	SQV 05.2/ACV 01.2		SQV 07.2/ACV 01.2		SQV 10.2/ACV 01.2		SQV 12.2/ACV 01.2		SQV 14.2/ACV 01.2			
	EN ISO 5211	F05 ⁵⁾	F07 ⁵⁾	F05 ⁵⁾	F07 ⁵⁾	F10	F10	F12	F12	F14	F14	F16
A1			40				50		50			50
A2 ⁴⁾			251 (278 ⁴⁾)				251 (278 ⁴⁾)		251 (278 ⁴⁾)			251 (278 ⁴⁾)
A3			48				48		48			48
A4			103				103		103			103
A7			32				32		32			32
A8			96				96		96			96
A9			35				35		35			35
B1		238		238		248	248	248	248			248
B2		50		50		65	65	65	65			65
C1 ¹⁾		265		265		265	265	265	265			265
C2		186		186		191	191	191	191			191
C3		63		63		63	63	63	63			63
Ø D ¹⁾		101		101		101	101	101	101			101
Ø D1		160		160		200	200	200	200			200
Ø D4		20		20		20	20	20	20			20
E		115		115		115	115	115	115			115
E1		150		150		150	150	150	150			150
F		115		115		115	115	115	115			115
H1		134	134	134	160	151	183	175	215	210	260	
H2			225				225		225			225
H3 ⁴⁾			257 (284 ⁴⁾)				257 (284 ⁴⁾)		257 (284 ⁴⁾)			257 (284 ⁴⁾)
H4		193	193	193	217	214	246	238	278	273	323	
H5			150				150		150			150
J			69				86		109			128
K			75				75		75			75
L max.		40	40	40	66	50	82	61	101	75	125	
M			313				313		313			313
N			173				173		173			173
P1 ²⁾			2x M25 x 1.5				2x M25 x 1.5		2x M25 x 1.5			2x M25 x 1.5
P2 ²⁾			4x M20 x 1.5				4x M20 x 1.5		4x M20 x 1.5			4x M20 x 1.5
BB min.			180				180		180			180
HH min.			30				30		30			30
Ø d1		90	90	90	125	125	150	150	175	175	210	
Ø d2		-	-	-	70	70	85	85	100	100	130	
Ø d3		50	70	50	70	102	102	125	140	140	165	
d4		4 x M6	4 x M8	4 x M6	4 x M8	4 x M10	4 x M10	4 x M12	4 x M16	4 x M16	4 x M20	
Ø d5			125				160		210			225
h ³⁾		-	-	-	2.5	2.5	2.5	2.5	3.5	3.5	4.5	
h1		12	15	12	15	16	18	19	22	25	29	32

We reserve the right to alter data according to improvements made. Previous documents become invalid with the issue of this document.

(Profibus DP, Modbus RTU, Foundation Fieldbus)

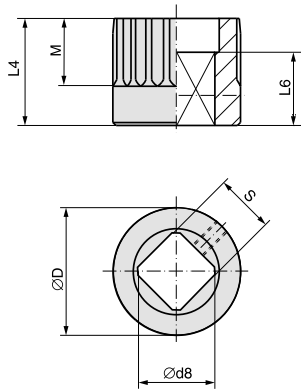
Dimensions Couplings according to EN ISO 5211

Bore according to EN ISO 5211 with keyway according to DIN 6885-1



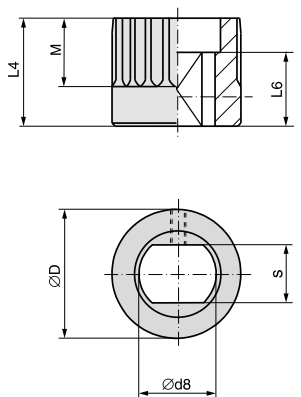
SQ../SQR..	05.2		07.2		10.2		12.2		14.2	
EN ISO 5211	F05	F07	F07	F10	F10	F12	F12	F14	F14	F16
Ø D	41.75	41.75	41.75	51.75	51.75	67.6	67.6	81.6	81.6	81.6
b JS9 ¹⁾	6	6	6	8	8	10	10	14	14	14
Ø d7 H8 ²⁾	18	22	22	28	28	36	36	48	48	48
Ø d7 max.	25.4	25.4	25.4	38	38	50	50	60	60	60
d9 ³⁾	M5	M5	M5	M6	M6	M6	M6	M6	M6	M6
L4	35	35	60	45	75	55	95	65	115	115
L5 ³⁾	8	8	8	10	10	10	10	10	10	10
M	20	20	20	30	30	40	40	47	47	40
t ¹⁾	20.8	24.8	24.8	31.3	31.3	39.3	39.3	51.8	51.8	51.8

Square bore according to EN ISO 5211



SQ../SQR..	05.2		07.2		10.2		12.2		14.2	
EN ISO 5211	F05	F07	F07	F10	F10	F12	F12	F14	F14	F16
Ø D	41.75	41.75	41.75	51.75	51.75	67.6	67.6	81.6	81.6	81.6
Ø d8 min. ²⁾	18.1	22.2	22.2	28.2	28.2	36.2	36.2	48.2	48.2	48.2
Ø d8 max.	28.2	28.2	28.2	40.2 ⁴⁾	40.2 ⁴⁾	48.2	48.2	60.2	60.2	60.2
L4	35	35	60	45	75	55	95	65	115	115
L6 min.	30	30	30	30	30	30	30	40	40	40
M	20	20	20	30	30	40	40	47	47	40
s H11 ²⁾	14	17	17	22	22	27	27	36	36	36
s H11 max.	22	22	22	30 ⁴⁾	30 ⁴⁾	36	36	46	46	46

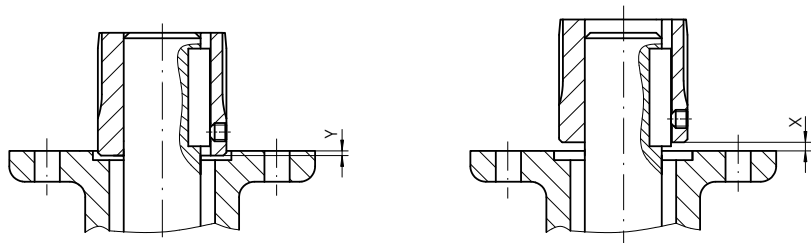
Two-flat according to EN ISO 5211



SQ../SQR..	05.2		07.2		10.2		12.2		14.2	
EN ISO 5211	F05	F07	F07	F10	F10	F12	F12	F14	F14	F16
Ø D	41.75	41.75	41.75	51.75	51.75	67.6	67.6	81.6	81.6	81.6
Ø d8 min. ²⁾	18.1	22.2	22.2	28.2	28.2	36.2	36.2	48.2	48.2	48.2
Ø d8 max.	28.2	28.2	28.2	36.2	36.2	48.2 (48 ⁵⁾)	48.2 (48 ⁵⁾)	60.2	60.2	60.2
L4	35	35	60	45	75	55	95	65	115	115
L6 min.	25	25	25	25	25	30	30	40	40	40
M	20	20	20	30	30	40	40	47	47	40
s H11 ²⁾	14	17	17	22	22	27	27	36	36	36
s H11 max.	22	22	22	27	27	36 (41 ⁵⁾)	36 (41 ⁵⁾)	46	46	46

Mounting position of the coupling within fitting dimensions according to AUMA definition

X max.	3	4	5	8
Y max.	2	5	10	10



- 1) Dimensions depend on Ø d7, refer to DIN 6885-1
- 2) Recommended size according to EN ISO 5211
- 3) Thread with grub screw
- 4) According to DIN 79
- 5) According to DIN 475