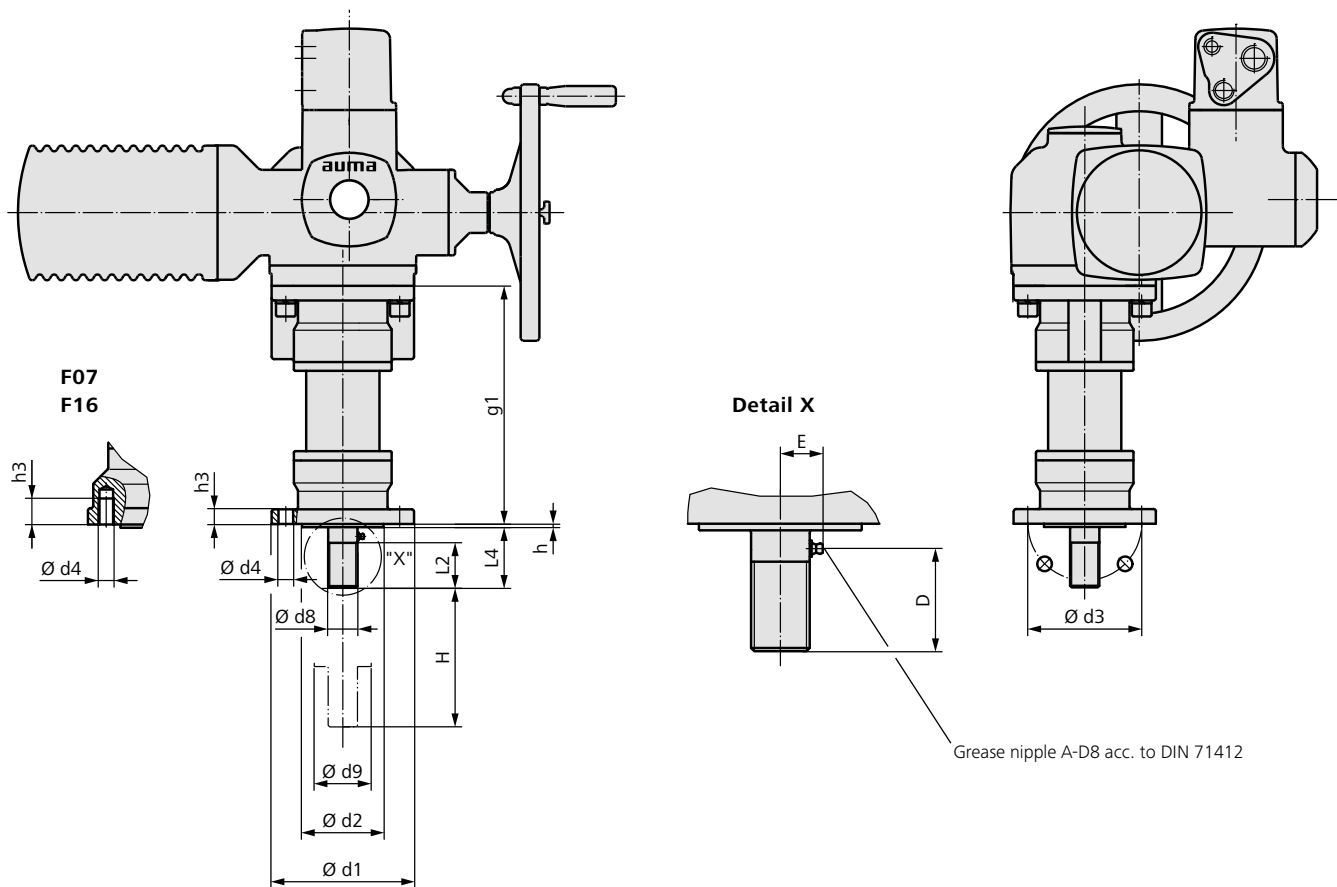


**LEN 12.1 – LEN 200.1**  
**SAN 07.2 – SAN 16.2/SARN 07.2 – SARN 16.2**  
**Dimensions Linear thrust unit**



Standard version, actuator clockwise rotation: extending stem  
 Dimensions of actuator refer to sheet „Dimensions SAN 07.2 – SAN 16.2/SARN 07.2 – SARN 16.2“

Dimensions	LEN 12.1		LEN 25.1		LEN 50.1	LEN 70.1	LEN 100.1	LEN 200.1
	F07	F10	F07	F10	F10	F14	F14	F16
suitable actuator	SAN 07.2 SARN 07.2		SAN 07.6 SARN 07.6		SAN 10.2 SARN 10.2	SAN 14.2 SARN 14.2	SAN 14.6 SARN 14.6	SAN 16.2 SARN 16.2
H (stroke)	50		50		63	80	80	100
D	37		42		43	63	63	76
E	18		21		24	26	26	29
L2	20		25		30	55	55	65
L4 ±0.2	45		50		55	75	75	90
Ø d1	□75	125	□75	125	125	175	175	210
Ø d2	55 g7	70 f8	55 g7	70 f8	70 g7	100 f8	100 f8	130 f8
Ø d3	70	102	70	102	102	140	140	165
d4	M8	11	M8	11	11	18	18	M20
Ø d8	M12 x 1.25		M16 x 1.5		M20 x 1.5	M36 x 3	M36 x 3	M42 x 3
Ø d9 -0.1	42		42		55	70	70	100
g1	191		191		234	293	293	362
h	3.4	3	3.4	3	3.4	4	4	4
h3	20	15	20	15	15	18	18	32

We reserve the right to alter data according to improvements made. Previous documents become invalid with the issue of this document.