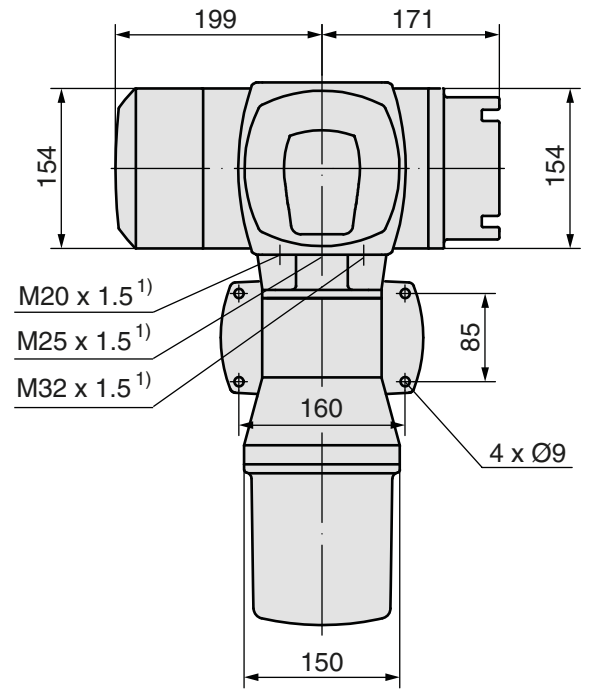
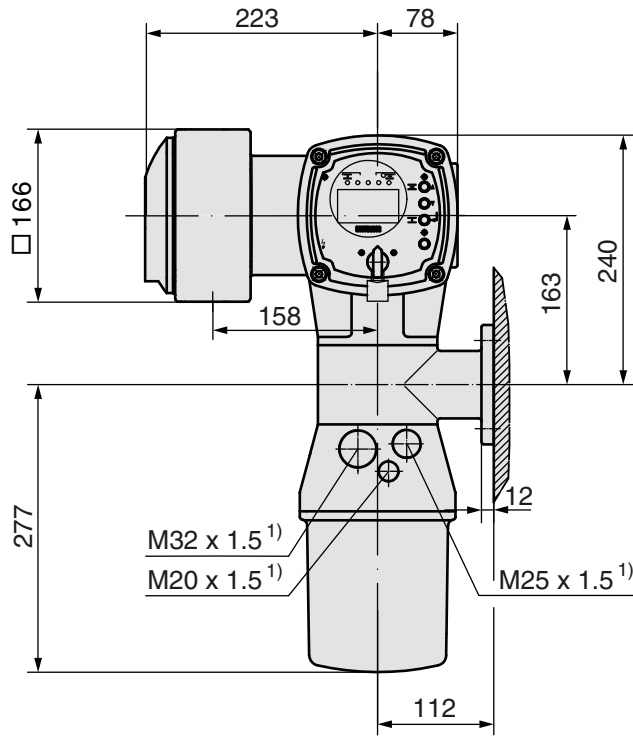


Dimensions ACEXC 01.2 Wall bracket

Ex plug/socket connector with terminal block (KT/KM)

Standard:

KT-Ex e with push-in connection

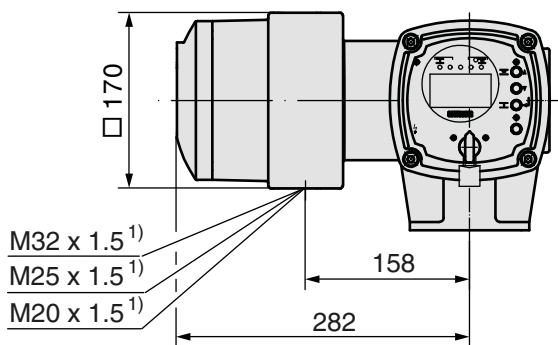


Option:

KT-Ex d with push-in connection

KM-Ex e with terminals

KM-Ex d with terminals



1) Steel conduit thread subject to explicit order.