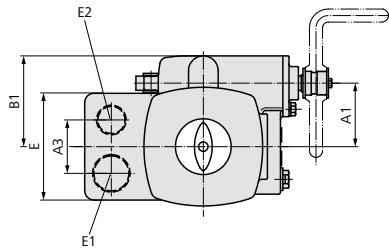
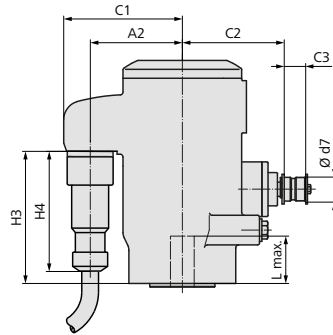
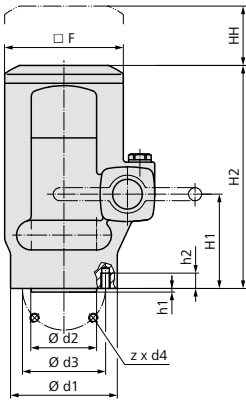
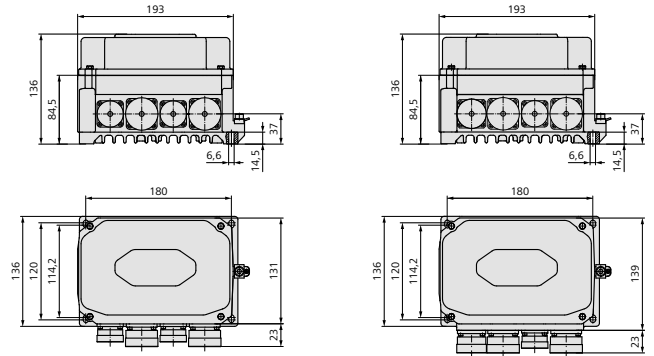


Dimensions globe valve actuators with MEC 03.1 actuator controls



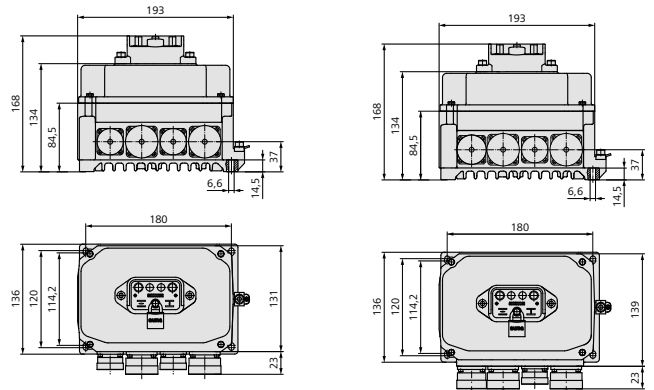
MEC 03.1 actuator controls



2x plug/socket connector, 5 poles
2x plug/socket connector, 17 poles

2x plug/socket connector, 5 poles
1x plug/socket connector, 17 poles
1x plug/socket connector, 19 poles

MEC 03.1 actuator controls with local controls



2x plug/socket connector, 5 poles
2x plug/socket connector, 17 poles

2x plug/socket connector, 5 poles
1x plug/socket connector, 17 poles
1x plug/socket connector, 19 poles

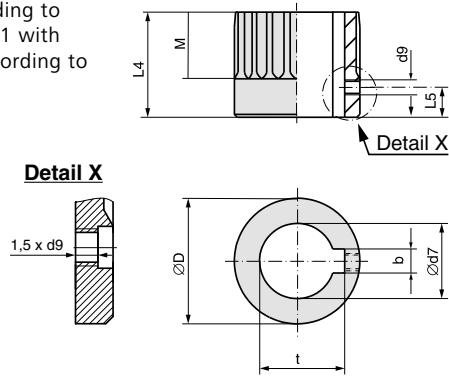
Valve attachment according to EN ISO 5211.
Dimensions of couplings see overleaf
For operation elements according to VG 85 081,
refer to separate dimension sheet

Dimensions	SV 05.1	SV 07.1
EN ISO 5211	F07	F07
A1	54	67
A2	78	90
A3	45	45
B1	77	95
C1	100	113
C2	100	110
C3	18	18
Ø d7		W 20 x 0.6 x 0.32 x 8f DIN 5480
E	90	92
E1		Plug/socket connector, 17 poles
E2		Plug/socket connector, 5 poles
F	100	123
H1	80	99
H2	188	225
H3	112	143
H4	92	92
HH	50	50
Ø d1	90	90
Ø d2 f8	55	55
Ø d3	70	70
d4	M8	M8
h1	3	3
h2	13	13
L max.	40	50
z	4	4

We reserve the right to alter data according to improvements made. Previous documents become invalid with the issue of this document.

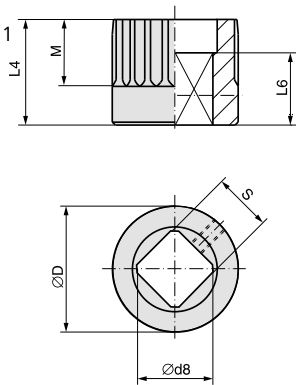
Dimensions Couplings according to EN ISO 5211

Bore according to EN ISO 5211 with keyway according to DIN 6885-1



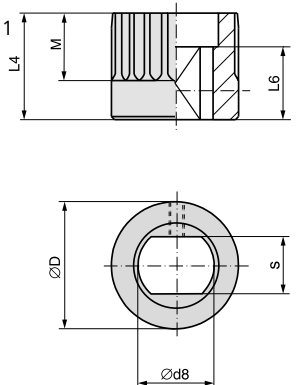
Dimensions	SV 05.1	SV 07.1
EN ISO 5211	F07	F07
Ø D	31.75	41.75
b JS9 ¹⁾	6	6
Ø d7 H8 ²⁾	18	22
Ø d7 max.	20	25.4
d9 ³⁾	M4	M5
L4	35	35
L5 ³⁾	8	8
M	20	20
t ¹⁾	20.8	24.8

Square bore according to EN ISO 5211



Dimensions	SV 05.1	SV 07.1
EN ISO 5211	F07	F07
Ø D	31.75	41.75
Ø d8 ²⁾	18.1	22.2
Ø d8 max.	22.2	28.2
L4	35	35
L6 min.	30	30
M	20	20
s H11 ²⁾	14	17
s H11 max.	17	22

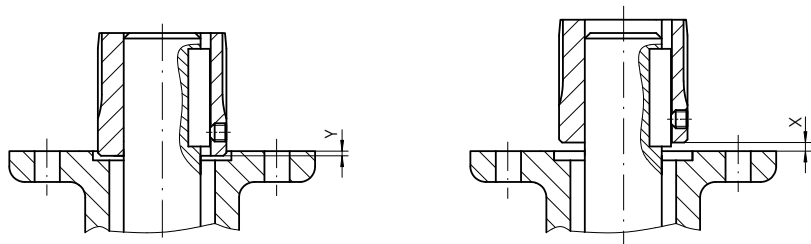
Two-flat according to EN ISO 5211



Dimensions	SV 05.1	SV 07.1
EN ISO 5211	F07	F07
Ø D	31.75	41.75
Ø d8 ²⁾	18.1	22.2
Ø d8 max.	22.2	28.2
L4	35	35
L6 min.	25	25
M	20	20
s H11 ²⁾	14	17
s H11 max.	17	22

Mounting position of the coupling within fitting dimensions according to AUMA definition

X max.	2.5	2.5
Y max.	6	6



1) Dimensions depend on Ø d7, refer to DIN 6885-1
 2) Recommended size according to EN ISO 5211
 3) Thread with grub screw
 4) According to DIN 79