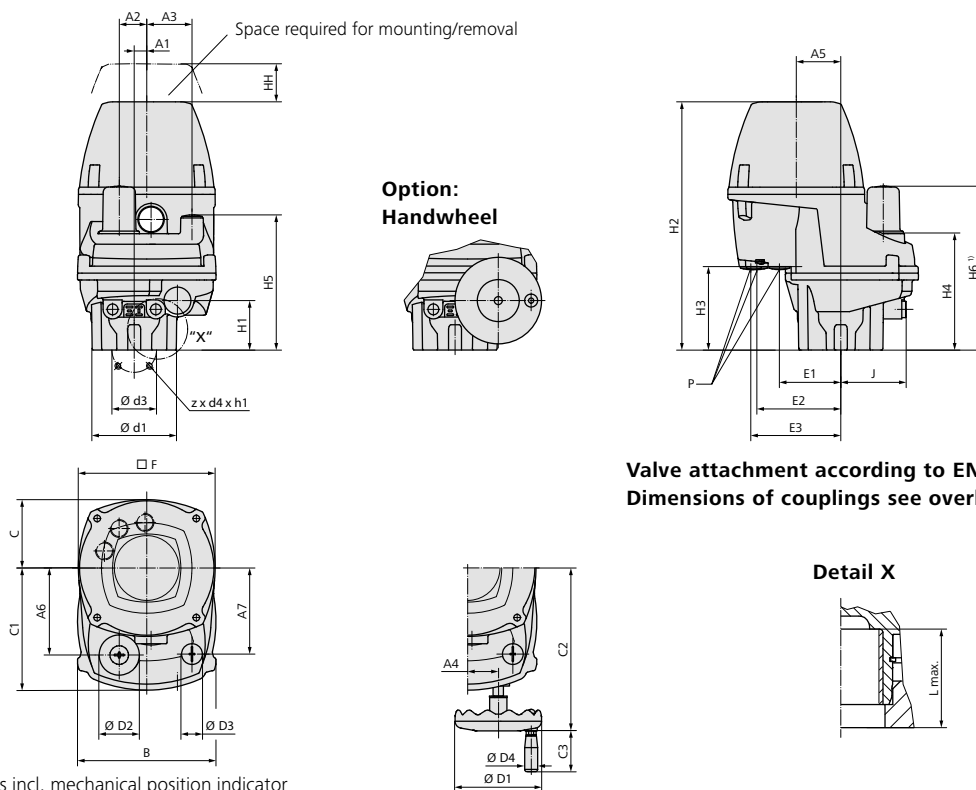


Dimensions Multi-turn actuators with integral controls



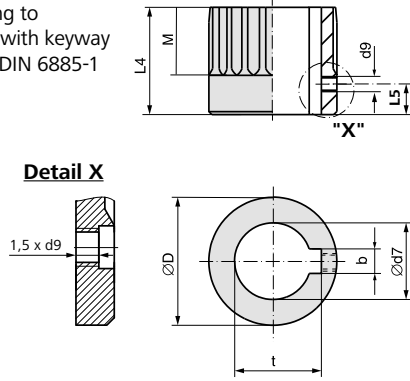
- 1) Option: Dimensions incl. mechanical position indicator
- 2) For coupling with square bore, bore with two flats

Dimensions	M25			M50			M100		
	EN ISO 5211	F05	F07	F10	F05	F07	F10	F07	F10
A1			14.5			14.5			14.5
A2			32			32			32
A3			52			52			52
A4			35.5			35.5			48
A5			51.5			51.5			51.5
A6			101			101			101
A7			99			99			99
B			160			160			160
C			79			79			79
C1			141			141			141
C2			188			188			198
C3			47			47			60
Ø D1			100			100			160
Ø D2			47			47			47
Ø D3			24			24			24
Ø D4			15			15			20
E1			71			71			71
E2			97			97			97
E3			104			104			104
□ F			158			158			158
H1			57			57			88
H2			287			287			323
H3			97			97			133
H4			135			135			171
H5			156			156			192
H6 <sup>1)</sup>			189			189			225
HH min.			100			100			100
J			76			76			88
L max.			38 <sup>2)/40</sup>			38 <sup>2)/40</sup>			50
P			3 x M20 x 1.5			3 x M20 x 1.5			3 x M20 x 1.5
Ø d1			122			122			122
Ø d3		50	70	102	50	70	102	70	102
d4		M6	M8	M10	M6	M8	M10	M8	M10
h1		12	15	18	12	15	18	15	18
z			4			4			4

We reserve the right to alter data according to improvements made. Previous documents become invalid with the issue of this document.

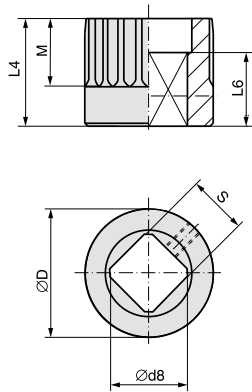
Dimensions Couplings according to EN ISO 5211, DIN 6885

Bore according to EN ISO 5211 with keyway according to DIN 6885-1



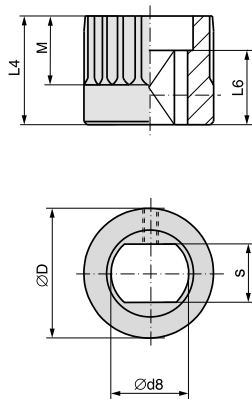
Dimensions	M25			M50			M100	
	F05	F07	F10	F05	F07	F10	F07	F10
EN ISO 5211								
Ø D	31.75			31.75			51.75	
b JS9 <sup>1)</sup>	According to DIN 6885-1							
Ø d7 max.	20			20			38	
d9 <sup>2)</sup>	M4			M4			M6	
L4	35			35			45	
L5 <sup>2)</sup>	8			8			10	
M	20			20			30	
t <sup>1)</sup>	According to DIN 6885-1							

Square bore according to EN ISO 5211



Dimensions	M25			M50			M100	
	F05	F07	F10	F05	F07	F10	F07	F10
EN ISO 5211								
Ø D	31.75			31.75			51.75	
Ø d8 max.	22.2			22.2			40.2 <sup>3)</sup>	
L4	35			35			45	
L6 min.	30			30			30	
M	20			20			30	
s H11 max.	17			17			30 <sup>3)</sup>	

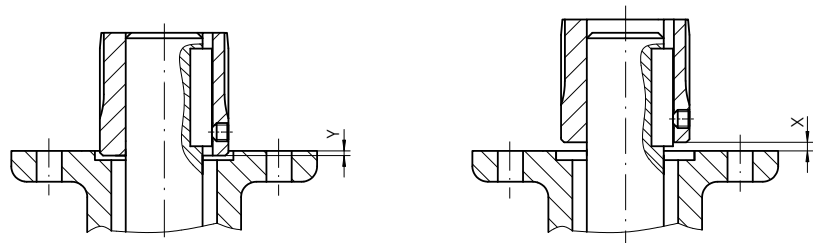
Two-flat according to EN ISO 5211



Dimensions	M25			M50			M100	
	F05	F07	F10	F05	F07	F10	F07	F10
EN ISO 5211								
Ø D	31.75			31.75			51.75	
Ø d8 max.	22.2			22.2			36.2	
L4	35			35			45	
L6 min.	25			25			25	
M	20			20			30	
s H11 max.	17			17			27	

Mounting position of the coupling within fitting dimensions according to AUMA definition

X max.	3	3	4.5
Y max.	2	2	4.5



1) Dimensions depend on Ø d7, refer to DIN 6885-1  
 2) Thread with grub screw  
 3) According to DIN 79