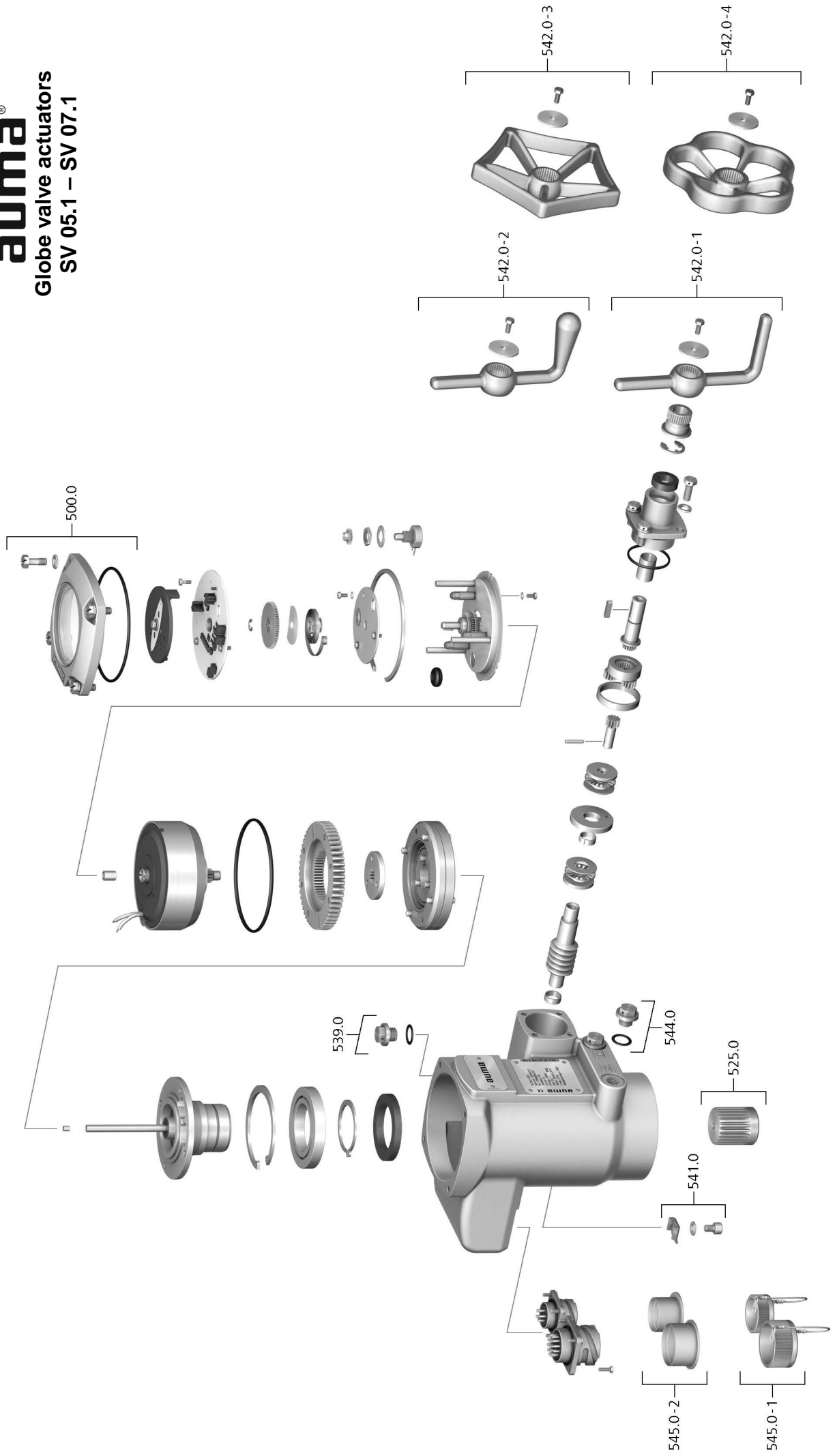


Spare parts list
auma[®]
 Globe valve actuators
 SV 05.1 – SV 07.1



Spare parts list Globe valve actuators

Please state device type and our order number (see name plate) when ordering spare parts. Only original AUMA spare parts should be used. Failure to use original spare parts voids the warranty and exempts AUMA from any liability. Representation of spare parts may slightly vary from actual delivery.

Ref. no.	Designation	Type
500.0	Cover	Sub-assembly
525.0	Coupling	Sub-assembly
539.0	Screw plug	
541.0	Protective earthing	Sub-assembly
542.0-1	Crank handle with cylindrical grip	Sub-assembly
542.0-2	Crank handle with conical grip	Sub-assembly
542.0-3	Handwheel with five-edge ring	Sub-assembly
542.0-4	Handwheel with five-ripple ring	Sub-assembly
544.0	Screw plug	Sub-assembly
545.0-1	Protective cap with cord	Sub-assembly
545.0-2	Protective cap without cord	Sub-assembly