



Part-turn actuators

SQ 05.2 – SQ 14.2

SQR 05.2 – SQR 14.2

Control unit - electromechanical
with actuator controls

AC 01.2 Intrusive

Control

Parallel

Profibus DP

→ Profinet

Modbus RTU

Modbus TCP/IP

EtherNet/IP

Foundation Fieldbus

HART



Read operation instructions first.

- Observe safety instructions.
- These operation instructions are part of the product.
- Store operation instructions during product life.
- Pass on instructions to any subsequent user or owner of the product.

Target group:

This document contains information for assembly, commissioning and maintenance staff.

Reference documents:

- Manual (Operation and setting) of actuator controls AC 01.2 Profinet
- Manual (Fieldbus device integration) of actuator controls AC 01.2 Profinet

Reference documents are available on the Internet at: <http://www.auma.com>.

Table of contents		Page
1.	Safety instructions.....	5
1.1.	Prerequisites for the safe handling of the product	5
1.2.	Range of application	5
1.3.	Warnings and notes	6
1.4.	References and symbols	6
2.	Short description.....	7
3.	Name plate.....	9
4.	Transport and storage.....	13
4.1.	Transport	13
4.2.	Storage	14
5.	Assembly.....	16
5.1.	Mounting position	16
5.2.	Handwheel fitting	16
5.3.	Mount actuator to valve	16
5.3.1.	Overview on coupling variants	17
5.3.2.	Mount actuator (with coupling)	17
5.4.	Mounting positions of local controls	20
5.4.1.	Mounting positions: modify	20
6.	Electrical connection.....	21
6.1.	Basic information	21
6.2.	SF electrical connection (AUMA plug/socket connector)	24
6.2.1.	Terminal compartment (for mains connection): open	25
6.2.2.	Cable connection	26
6.2.3.	Terminal compartment (for mains connection): close	27
6.2.4.	Fieldbus terminal compartment: open	28
6.2.5.	Profinet cables: connect	29
6.2.6.	Fieldbus terminal compartment: close	32
6.3.	Accessories for electrical connection	33
6.3.1.	Actuator controls on wall bracket	33
6.3.2.	Parking frame	34
6.3.3.	DS intermediate frame for double sealing	34

6.3.4.	External earth connection	35
7.	Operation.....	36
7.1.	Manual operation	36
7.1.1.	Manual valve operation	36
7.2.	Motor operation	36
7.2.1.	Operating the actuator from local controls	36
7.2.2.	Actuator operation from remote	37
7.3.	Menu navigation via push buttons (for settings and indications)	38
7.3.1.	Menu layout and navigation	39
7.4.	User level, password	40
7.4.1.	Password entry	40
7.4.2.	Password change	40
7.4.3.	Timeout for incorrect password entry	41
7.5.	Language in the display	41
7.5.1.	Language change	41
8.	Indications.....	43
8.1.	Indications during commissioning	43
8.2.	Indications in the display	43
8.2.1.	Feedback signals from actuator and valve	44
8.2.2.	Status indications according to AUMA classification	46
8.2.3.	Status indications according to NAMUR recommendation	47
8.3.	Indication lights of local controls	48
8.4.	Mechanical position indication via indicator mark	49
9.	Signals (output signals).....	50
9.1.	Signals via Profinet	50
9.2.	Status signals via output contacts (digital outputs)	50
9.2.1.	Assignment of outputs	50
9.2.2.	Coding the outputs	50
9.3.	Analogue signals (analogue outputs)	50
10.	Commissioning (basic settings).....	52
10.1.	End stops in part-turn actuator	52
10.1.1.	Set end stop CLOSED	53
10.1.2.	Set end stop OPEN	53
10.2.	Type of seating: set	54
10.3.	Open switch compartment	55
10.4.	Torque switching: set	56
10.5.	Limit switching: set	56
10.5.1.	End position CLOSED (black section): set	57
10.5.2.	End position OPEN (white section): set	57
10.6.	Intermediate positions: set	58
10.6.1.	Running direction CLOSE (black section): set	58
10.6.2.	Running direction OPEN (white section): set	58
10.7.	Test run	59
10.7.1.	Direction of rotation at mechanical position indicator: check	59
10.7.2.	Limit switching: check	59
10.7.3.	Reference operation position feedback: perform	60
10.8.	Mechanical position indicator: set	60
10.9.	Close switch compartment	61

11.	Commissioning (optional equipment settings).....	62
11.1.	EWG 01.1 electronic position transmitter	62
11.1.1.	Measuring range: set	63
11.1.2.	Current values : adjust	64
11.1.3.	LED end position signalling: switch on/off	64
11.2.	Potentiometer	64
11.2.1.	Potentiometer: set	65
11.3.	RWG electronic position transmitter	65
11.3.1.	Measuring range: set	66
12.	Corrective action.....	67
12.1.	Faults during commissioning	67
12.2.	Fault indications and warning indications	67
12.3.	Fuses	71
12.3.1.	Fuses within the actuator controls	71
12.3.2.	Fuse replacement	72
12.3.2.1.	Replace fuses F1/F2	72
12.3.2.2.	Test/replace fuses F3/F4	73
12.3.3.	Motor protection (thermal monitoring)	73
13.	Servicing and maintenance.....	75
13.1.	Preventive measures for servicing and safe operation	75
13.2.	Maintenance	75
13.3.	Disposal and recycling	75
14.	Technical data.....	77
14.1.	Technical data Part-turn actuator	77
14.2.	Technical data Actuator controls	80
14.3.	Tightening torques for screws	84
15.	Spare parts.....	85
15.1.	Part-turn actuators SQ 05.2 – SQ 14.2/SQR 05.2 – SQR 14.2	85
15.2.	Stellantriebs-Steuerung AC 01.2 mit Elektroanschluss SF	87
	Index.....	89

1. Safety instructions

1.1. Prerequisites for the safe handling of the product

Standards/directives	The end user or the contractor must ensure that all legal requirements, directives, guidelines, national regulations and recommendations with respect to assembly, electrical connection, commissioning and operation are met at the place of installation.
Safety instructions/warnings	All personnel working with this device must be familiar with the safety and warning instructions in this manual and observe the instructions given. Safety instructions and warning signs on the device must be observed to avoid personal injury or property damage.
Qualification of staff	<p>Assembly, electrical connection, commissioning, operation, and maintenance must be carried out by suitably qualified personnel authorised by the end user or contractor of the plant only.</p> <p>Prior to working on this product, the staff must have thoroughly read and understood these instructions and, furthermore, know and observe officially recognised rules regarding occupational health and safety.</p>
Commissioning	Prior to commissioning, imperatively check that all settings meet the requirements of the application. Incorrect settings might present a danger to the application, e.g. cause damage to the valve or the installation. The manufacturer will not be held liable for any consequential damage. Such risk lies entirely with the user.
Operation	<p>Prerequisites for safe and smooth operation:</p> <ul style="list-style-type: none">• Correct transport, proper storage, mounting and installation, as well as careful commissioning.• Only operate the device if it is in perfect condition while observing these instructions.• Immediately report any faults and damage and allow for corrective measures.• Observe recognised rules for occupational health and safety.• Observe national regulations.• During operation, the housing warms up and surface temperatures > 60 °C may occur. To prevent possible burns, we recommend checking the surface temperature prior to working on the device using an appropriate thermometer and wearing protective gloves.
Protective measures	The end user or the contractor are responsible for implementing required protective measures on site, such as enclosures, barriers, or personal protective equipment for the staff.
Maintenance	<p>To ensure safe device operation, the maintenance instructions included in this manual must be observed.</p> <p>Any device modification requires prior written consent of the manufacturer.</p>

1.2. Range of application

AUMA part-turn actuators SQ 05.2 – SQ 14.2/SQR 05.2 – SQR 14.2 are designed for the operation of industrial valves, e.g. butterfly valves and ball valves.

Other applications require explicit (written) confirmation by the manufacturer.

The following applications are not permitted, e.g.:

- Industrial trucks according to EN ISO 3691
- Lifting appliances according to EN 14502
- Passenger lifts according to DIN 15306 and 15309
- Service lifts according to EN 81-1/A1
- Escalators
- Continuous duty

- Buried service
- Continuous underwater use (observe enclosure protection)
- Potentially explosive areas
- Radiation exposed areas in nuclear power plants

No liability can be assumed for inappropriate or unintended use.

Observance of these operation instructions is considered as part of the device's designated use.

Information These operation instructions are only valid for the "clockwise closing" standard version, i.e. driven shaft turns clockwise to close the valve.

1.3. Warnings and notes

The following warnings draw special attention to safety-relevant procedures in these operation instructions, each marked by the appropriate signal word (DANGER, WARNING, CAUTION, NOTICE).



Indicates an imminently hazardous situation with a high level of risk. Failure to observe this warning results in death or serious injury.




Indicates a potentially hazardous situation with a medium level of risk. Failure to observe this warning could result in death or serious injury.



Indicates a potentially hazardous situation with a low level of risk. Failure to observe this warning could result in minor or moderate injury. May also be used with property damage.



Potentially hazardous situation. Failure to observe this warning could result in property damage. Is not used for personal injury.

Safety alert symbol  warns of a potential personal injury hazard.

The signal word (here: DANGER) indicates the level of hazard.

1.4. References and symbols

The following references and symbols are used in these instructions:

Information The term **Information** preceding the text indicates important notes and information.

 Symbol for CLOSED (valve closed)

 Symbol for OPEN (valve open)

M ▷ **Via the menu to parameter**

Describes the menu path to the parameter. When using the push buttons of local controls, the required parameter can be quickly found on the display. Display texts are shaded in grey: **Display**.

➔ **Result of a process step**

Describes the result of a preceding process step.

2. Short description

Part-turn actuator Definition in compliance with EN 15714-2/EN ISO 5211:

A part-turn actuator is an actuator which transmits a torque to the valve for less than one full revolution. It need not be capable of withstanding thrust.

AUMA part-turn actuator Figure 1: AUMA SQ 10.2 part-turn actuator



- [1] Part-turn actuator with motor and handwheel
- [2] Actuator controls
- [3] Local controls with display, (a) selector switch and (b) push button
- [4] Valve attachment

AUMA part-turn actuators SQ 05.2 – SQ 14.2/SQR 05.2 – SQR 14.2 are driven by an electric motor. For manual operation, a handwheel is provided. Switching off in end positions may be either by limit or torque seating. Actuator controls are required to operate or process the actuator signals.

For non-intrusive version (control unit: electromechanical version), limit and torque setting is made via switches within the actuator.

For non-intrusive version (control unit: electronic version), limit and torque setting is made via the actuator controls, neither actuator nor the actuator controls housing have to be opened. For this purpose, the actuator is equipped with an MWG (magnetic limit and torque transmitter), also capable of supplying analogue torque feedback signals/torque indication and analogue position feedback signals/position indication at the actuator controls output.

Actuator controls The actuator controls AC 01.2 may be mounted directly to the actuator or separately on a wall bracket.

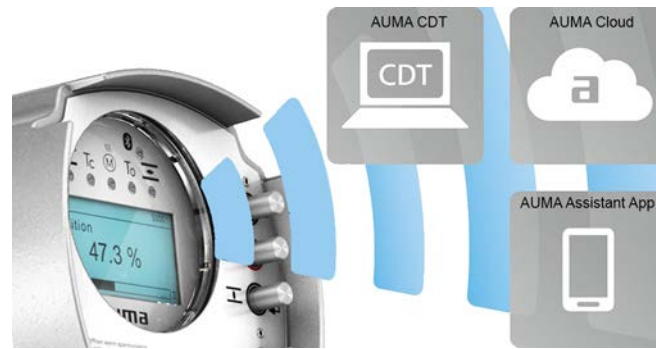
The actuator can be operated via the push buttons on the local controls of the actuator controls or settings can be made in the actuator controls menu. The display shows information on the actuator as well as the menu settings.

The functions of the actuator controls include standard valve control in OPEN-CLOSE duty, positioning, process control, logging of operating data, diagnostic functions right through control via various interfaces (e.g. fieldbus, Ethernet and HART).

App and software

Using the **AUMA CDT** software for Windows-based computers (notebooks or tablets) and the **AUMA Assistant App**, actuator data can be uploaded and read, settings can be modified and stored. The connection between computer and AUMA actuator is established wireless via Bluetooth interface. With the **AUMA Cloud**, we provide an interactive platform to collect and assess e.g. detailed device data of all actuators within a plant.

Figure 2: Communication via Bluetooth



AUMA CDT

AUMA CDT is a user-friendly setting and operation program for AUMA actuators.



AUMA CDT software can be downloaded free of charge from our website www.auma.com.

AUMA Cloud

The AUMA Cloud is the driving element of the digital AUMA world, acting as interactive platform for efficient maintenance of AUMA actuators at moderate cost. The AUMA Cloud collects all device data of all actuators within one site and provides a clear overview at a glance. Detailed analysis provides valuable information on potential maintenance requirements. Additional functions foster smooth asset management.



AUMA Assistant App

The AUMA Assistant App enables remote setting and remote diagnostics of AUMA actuators via Bluetooth using either smartphone or tablet.

The AUMA Assistant App can be downloaded free of charge from the Play Store (Android) or App Store (iOS).



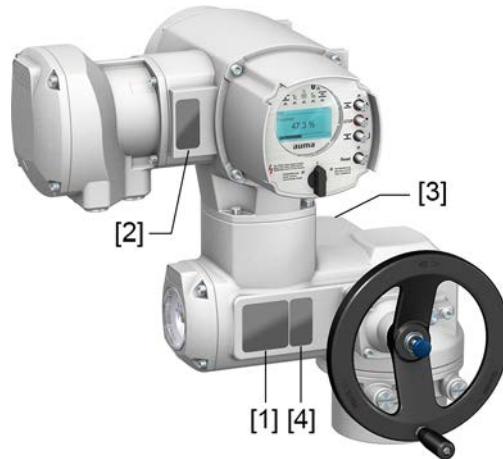
Figure 3: Link to AUMA Assistant App



3. Name plate

Each device component (actuator, actuator controls, motor) is equipped with a name plate.

Figure 4: Arrangement of name plates



- [1] Actuator name plate
- [2] Actuator controls name plate
- [3] Motor name plate
- [4] Additional plate, e.g. KKS plate (Power Plant Classification System)

Actuator name plate

Figure 5: Actuator name plate (example)

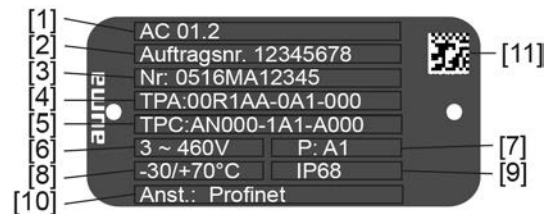


auma (= manufacturer logo); **CE** (= CE mark)

- [1] Name of manufacturer
- [2] Address of manufacturer
- [3] **Type designation**
- [4] **Order number**
- [5] **Actuator serial number**
- [6] Operating time in [s] for a part-turn movement of 90°
- [7] Torque range in direction CLOSE
- [8] Torque range in direction OPEN
- [9] Type of lubricant
- [10] Permissible ambient temperature
- [11] Can be assigned as an option upon customer request
- [12] Enclosure protection
- [13] **Data Matrix code**

Actuator controls name plate

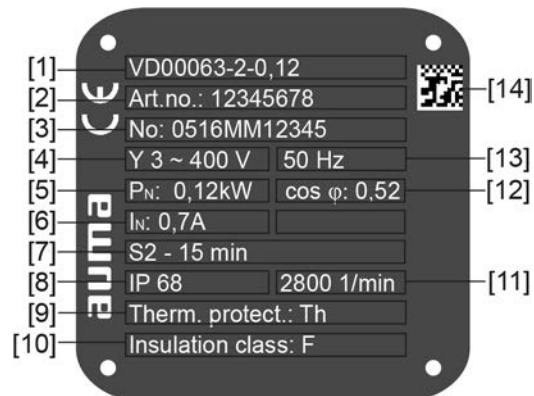
Figure 6: Name plate for actuator controls (example)



- [1] **Type designation**
- [2] **Order number**
- [3] **Serial number**
- [4] **Actuator terminal plan**
- [5] Actuator controls terminal plan
- [6] Mains voltage
- [7] **AUMA power class for switchgear**
- [8] Permissible ambient temperature
- [9] Enclosure protection
- [10] **Control**
- [11] Data Matrix code

Motor name plate

Figure 7: Motor name plate (example)



auma (= manufacturer logo); **CE** (= CE mark)

- [1] Motor type
- [2] Motor article number
- [3] Serial number
- [4] Current type, mains voltage
- [5] Rated power
- [6] Rated current
- [7] Type of duty
- [8] Enclosure protection
- [9] Motor protection (temperature protection)
- [10] Insulation class
- [11] Speed
- [12] Power factor cos phi
- [13] Mains frequency
- [14] Data Matrix code

Descriptions referring to name plate indications

Type designation

Table 1:

Description of type designation (with the example of SQ 07.2-F10)			
SQ	07.2	-F10	
SQ			Type SQ = Part-turn actuators for open-close duty Type SQR = Part-turn actuators for modulating duty
	07.2		Size These instructions apply to sizes 05.2, 07.2, 10.2, 12.2, 14.2
		F10	Flange size

Table 2:

Description of actuator controls type designation (with the example of AC 01.2)			
AC	01.2		
AC			Type AC = AUMATIC actuator controls
	01.2		Size 01.2

Order number

The product can be identified using this number and the technical data as well as order-related data pertaining to the device can be requested.

Please always state this number for any product inquiries.

On the Internet at <http://www.auma.com> > Service & Support > myAUMA, we offer a service allowing authorised users to download order-related documents such as wiring diagrams and technical data (both in German and English), inspection certificate and the operation instructions when entering the order number.

**Serial number
Actuator**

Table 3:

Description of serial number (example of 0520NS12345)			
05	20	NS12345	
05	Positions 1+2: Assembly in week = week 05		
	20	Positions 3+4: Year of manufacture = 2020	
		NS12345	Internal number for unambiguous product identification

Actuator terminal plan

Position 9 after **TPA**: Position transmitter version

0 = Without position transmitter

A, B, J, K, L, N, R, T = Potentiometer

C, D, E, G, H, M, P, S, U = Electronic position transmitter

**AUMA power class for
switchgear**

The switchgear used in the actuator controls (reversing contactors/thyristors) are classified according to AUMA power classes (e.g. A1, B1,). The power class defines the max. permissible rated power (of the motor) the switchgear has been designed for. The rated power (nominal power) of the actuator motor is indicated in kW on the motor name plate. For the assignment of the AUMA power classes to the nominal power of the motor types, refer to the separate electrical data sheets.

For switchgear without assignment to any power classes, the actuator controls name plate does not indicate the power class but the max. rated power in kW.

Control

Table 4:

Control examples (indications on actuator controls name plate)	
Input signal	Description
Profinet	Control via Profinet interface
Profinet/24 V DC	Control via Profinet interface and control voltage for OPEN-CLOSE control via digital inputs (OPEN, STOP, CLOSE)

Data Matrix code When registered as authorised user, you may use our **AUMA Assistant App** to scan the Data Matrix code and directly access the order-related product documents without having to enter order number or serial number.

Figure 8: Link to AUMA Assistant App:



For further Service & Support, Software/Apps/... refer to www.auma.com

4. Transport and storage

4.1. Transport

Actuator For transport to place of installation, use sturdy packaging.



Suspended load!

Death or serious injury.

- Do NOT stand below suspended load.
- Attach ropes or hooks for the purpose of lifting by hoist only to housing and NOT to handwheel.
- Actuators mounted on valves: Attach ropes or hooks for the purpose of lifting by hoist to valve and NOT to actuator.
- Actuators mounted to gearboxes: Attach ropes or hooks for the purpose of lifting by hoist only to the gearbox using eyebolts and NOT to the actuator.
- Actuators mounted to controls: Attach ropes or hooks for the purpose of lifting by hoist only to the actuator and NOT to the controls.
- Respect total weight of combination (actuator, actuator controls, gearbox, valve)
- Secure load against falling down, sliding or tilting.
- Perform lift trial at low height to eliminate any potential danger e.g. by tilting.

Figure 9: Example: Lifting the actuator



Weights

Table 5:

Weight for AC 01.2 actuator controls	
with electrical connection type:	Weight approx. [kg]
AUMA plug/socket connector with screw-type connection	7

Table 6:

Dimensions Part-turn actuators SQ 05.2 – SQ 14.2 / SQR 05.2 – SQR 14.2 with 3-phase AC motors		
Type designation Actuator	Weight ¹⁾ approx. [kg]	Weight with base and lever ²⁾ approx. [kg]
SQ 05.2/ SQR 05.2	21	27
SQ 07.2/ SQR 07.2	21	27
SQ 10.2/ SQR 10.2	26	31
SQ 12.2/ SQR 12.2	35	43
SQ 14.2/ SQR 14.2	44	55

- 1) Indicated weight includes AUMA NORM part-turn actuator with 3-phase AC motor, electrical connection in standard version, unbored coupling and handwheel. For other output drive types, consider additional weights.
- 2) Indicated weight includes AUMA NORM part-turn actuator with 3-phase AC motor, electrical connection in standard version, and handwheel, including base and lever. For other output drive types, consider additional weights.

Table 7:

Dimensions Part-turn actuators SQ 05.2 – SQ 14.2 / SQR 05.2 – SQR 14.2 with 1-phase AC motors		
Type designation Actuator	Weight ¹⁾ approx. [kg]	Weight with base and lever ²⁾ approx. [kg]
SQ 05.2/ SQR 05.2	23	29
SQ 07.2/ SQR 07.2	23	29
SQ 10.2/ SQR 10.2	28	32
SQ 12.2/ SQR 12.2	37	45
SQ 14.2/ SQR 14.2	46	57

- 1) Indicated weight includes AUMA NORM part-turn actuator with 1-phase AC motor, electrical connection in standard version, unbored coupling and handwheel. For other output drive types, consider additional weights.
- 2) Indicated weight includes AUMA NORM part-turn actuator with 1-phase AC motor, electrical connection in standard version, and handwheel, including base and lever. For other output drive types, consider additional weights.

4.2. Storage

NOTICE

Risk of corrosion due to inappropriate storage!

- Store in a well-ventilated, dry room.
- Protect against floor dampness by storage on a shelf or on a wooden pallet.
- Cover to protect against dust and dirt.
- Apply suitable corrosion protection agent to uncoated surfaces.

NOTICE

Risk of damage due to excessively low temperatures!

- Actuator controls may only be stored permanently down to $-30\text{ }^{\circ}\text{C}$.
 - On request, actuators controls may be transported in specific cases and for short duration at temperatures down to $-60\text{ }^{\circ}\text{C}$.
-

Long-term storage

For long-term storage (more than 6 months), observe the following points:

1. Prior to storage:
Protect uncoated surfaces, in particular the output drive parts and mounting surface, with long-term corrosion protection agent.
2. At an interval of approx. 6 months:
Check for corrosion. If first signs of corrosion show, apply new corrosion protection.

5. Assembly

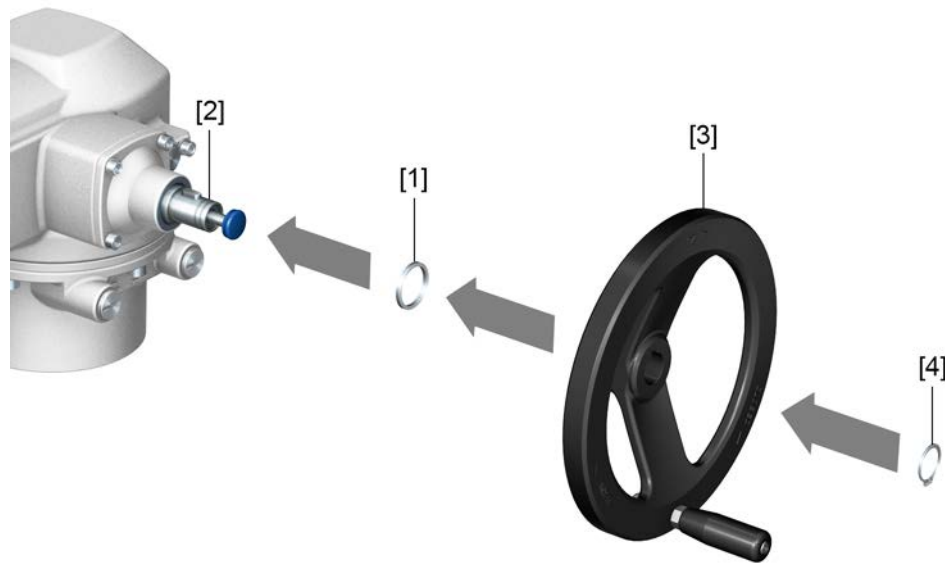
5.1. Mounting position

When using grease as lubricant, the product described herein can be operated in any mounting position.

When using oil instead of grease within the actuator gear housing, perpendicular mounting position is specified whereby the flange is pointing downward. The type of lubricant used is indicated on the actuator name plate (short designation **F**...= grease; **O**...= oil).

5.2. Handwheel fitting

Figure 10: Handwheel



- [1] Spacer
- [2] Input shaft
- [3] Handwheel
- [4] Retaining ring

- How to proceed**
1. If required, fit spacer [1] on input shaft [2].
 2. Slip handwheel [3] onto input shaft.
 3. Secure handwheel [3] with retaining ring [4].

Information: The retaining ring [4] (together with these operation instructions) is stored in a weatherproof bag, which is attached to the device prior to delivery.

5.3. Mount actuator to valve

NOTICE

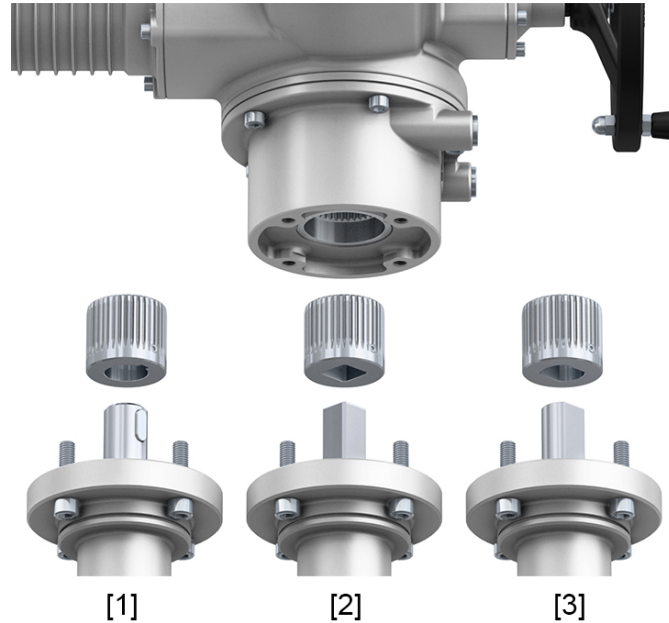
Corrosion due to damage to paint finish and condensation!

- Touch up damage to paint finish after work on the device.
- After mounting, connect the device immediately to electrical mains to ensure that heater minimises condensation.

The actuator is mounted to the valve using a coupling (standard) or via lever. Separate instructions are available for actuator mounting to the valve when equipped with base and lever.

5.3.1. Overview on coupling variants

Design Figure 11: Valve attachment via coupling



- [1] Bore with keyway
- [2] Square bore
- [3] Bore with two-flats

- Application**
- For valve attachments according to EN ISO 5211
 - For rotating, non-rising valve stem

5.3.2. Mount actuator (with coupling)

Unbored couplings or couplings with pilot bore must be machined to match the valve shaft prior to mounting the actuator to the valve (e.g. with bore and keyway, two-flat or square bore).



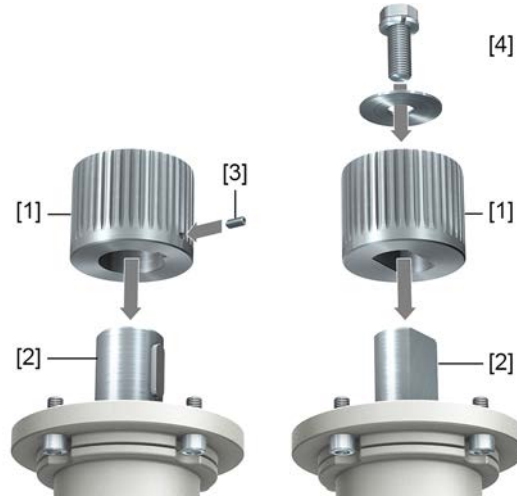
Assemble valve and actuator in the same end position. As standard, the actuator is supplied in end position CLOSED.

- Recommended mounting position for **butterfly valves**: End position CLOSED.
- Recommended mounting position for **ball valves**: End position OPEN.

- Assembly steps**
1. If required, move actuator in same end position as valve using the handwheel.
 2. Clean mounting faces, thoroughly degrease uncoated mounting surfaces.
 3. Apply a small quantity of grease to the valve shaft [2].

4. Place coupling [1] onto valve shaft [2] and secure against axial slipping by using a grub screw [3] or a clamping washer and a screw with curved spring lock washer [4]. Thereby, ensure that dimensions X, Y or L are observed (refer to figure and table <Mounting positions for coupling>).

Figure 12: Examples: Fit coupling



- [1] Coupling
- [2] Valve shaft
- [3] Grub screw
- [4] Clamping washer and screw with curved spring lock washer

Figure 13: Mounting positions for coupling

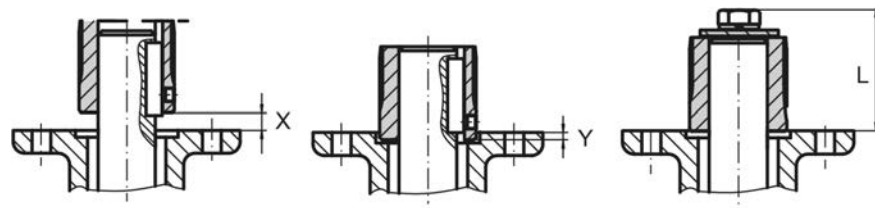


Table 8:

Mounting position of the coupling within fitting dimensions according to AUMA definition											
Dimensions [mm]	SQ 05.2		SQ 07.2			SQ 10.2		SQ 12.2		SQ 14.2	
EN ISO 5211	F05	F07	F05	F07	F10	F10	F12	F12	F14	F14	F16
X max.	3	3	3	3	3	4	4	5	5	8	8
Y max.	2	2	2	2	2	5	5	10	10	10	10
L max.	40	40	40	40	66	50	82	61	101	75	125

5. Apply non-acidic grease at splines of coupling (e.g. Gleitmo by Fuchs).

6. Fit actuator. If required, slightly turn actuator until splines of coupling engage.

Figure 14:



Information Ensure that the spigot (if provided) fits uniformly in the recess and that the flanges are in complete contact.

7. If flange bores do not match thread:
 - 7.1 Slightly rotate handwheel until bores line up.
 - 7.2 If required, shift actuator by one tooth on the coupling.
8. Fasten actuator with screws.

Information: We recommend applying liquid thread sealing material to the screws to avoid contact corrosion.

9. Fasten screws crosswise to a torque according to table.

Table 9:

Tightening torques for screws	
Threads	Tightening torque [Nm]
	Strength class A2-80/A4-80
M6	10
M8	24
M10	48
M12	82
M16	200
M20	392

5.4. Mounting positions of local controls

Figure 15: Mounting positions



The mounting position of the local controls is implemented according to the order. If, after mounting the actuator to the valve or the gearbox on site, the local controls are in an unfavourable position, the mounting position can be changed at a later date. Four mounting positions shifted by respectively 90° are possible (by maximum 180° into one direction).

5.4.1. Mounting positions: modify

DANGER

Electric shock due to presence of hazardous voltage!

Death or serious injury.

→ Disconnect device from the mains before opening.

NOTICE

Electrostatic discharge ESD!

Risk of damage to electronic components.

→ Earth both operators and devices.

1. Loosen screws and remove the local controls.
2. Check whether O-ring is in good condition, correctly insert O-ring.
3. Turn local controls into new position and re-place.

NOTICE

Cable damage due to twisting or pinching!

Risk of functional failures.

→ Turn local controls by a maximum of 180°.

→ Carefully assemble local controls to avoid pinching the cables.

4. Fasten screws evenly crosswise.

6. Electrical connection

6.1. Basic information



Electric shock due to presence of hazardous voltage!

Risk of death or serious injury!

- The electrical connection must be carried out exclusively by suitably qualified personnel.
- Prior to connection, observe basic information contained in this chapter.
- After connection but prior to applying the voltage, observe the <Commissioning> and <Test run> chapters.

Wiring diagram/terminal plan

The pertaining wiring diagram/terminal plan (in German or English) is attached to the device in a weather-proof bag, together with these operation instructions. It can also be requested from AUMA (state order number, refer to name plate) or downloaded directly from the Internet (<http://www.auma.com>).

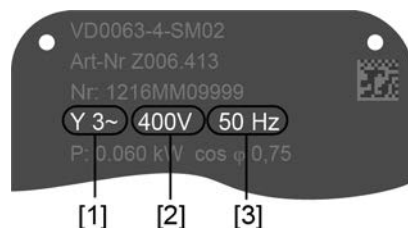
Permissible networks (supply networks)

The actuators are suitable for use in TN and TT networks with directly grounded star point for nominal voltages up to maximum 690 V AC. Use in IT network is permissible for nominal voltages up to maximum 600 V AC. For IT network, a suitable, approved insulation monitor measuring the pulse code is required.

Current type, mains voltage, mains frequency

Type of current, mains voltage and mains frequency must match the data on the actuator controls and motor name plates. Also refer to chapter <Identification>/<Name plate>.

Figure 16: Motor name plate (example)



- [1] Type of current
- [2] Mains voltage
- [3] Mains frequency

Protection and sizing on site

For short-circuit protection and for disconnecting the actuator from the mains, fuses and disconnect switches have to be provided by the customer.

The current values for sizing the protection can be derived from the current consumption of the motor (refer to motor name plate) plus the current consumption of actuator controls.

We recommend adapting the switchgear sizing to the max. current (I_{max}) and selecting and setting the overcurrent protection device in compliance with the indications in the electrical data sheet.

Table 10:

Current consumption of actuator controls		
Mains voltage	Max. current consumption	
Permissible variation of the mains voltage	±10 %	±30 %
100 to 120 V AC	750 mA	1,200 mA
208 to 240 V AC	400 mA	750 mA
380 to 500 V AC	250 mA	400 mA
515 to 690 V AC	200 mA	400 mA

Table 11:

Maximum permissible protection		
Switchgear (switchgear with power class) ¹⁾	Rated power	max. protection
Reversing contactor A1	up to 1.5 kW	16 A (gL/gG)
Thyristor B1	up to 1.5 kW	16 A (g/R) I ² t<1,500A ² s

1) The AUMA power class (A1, B1, ...) is indicated on the actuator controls name plate

Consider the motor starting current (I_A) (refer to electrical data sheet) when selecting the circuit breaker. We recommend tripping characteristics D or K for circuit breakers in accordance with IEC 60947-2. For controls equipped with thyristors, we recommend safety fuses instead of circuit breakers. However, the use of circuit breakers is basically permitted.

We recommend refraining from using residual current devices (RCD). However, if an RCD is used within the mains, the residual current device must be of type B.

For actuator controls equipped with a heating system and external electronics power supply, the fuses for the heating system have to be provided by the customer (refer to wiring diagram F4 ext.)

Table 12:

Fuse for heating system		
Designation in wiring diagram = F4 ext.		
External power supply	115 V AC	230 V AC
Fuse	2 A T	1 A T

If actuator controls are mounted separately from actuator (actuator controls on wall bracket): Consider length and cross section of connecting cable when defining the protection required.

**Potential of customer connections
Safety standards**

Refer to Technical data for options of isolated potentials.

Safety measures and safety equipment must comply with the respectively valid national on site specifications. All externally connected devices shall comply with the relevant safety standards applicable for the place of installation.

Connecting cables, cable glands, reducers, blanking plugs

- We recommend using connecting cables and connecting terminals according to rated current (I_N) (refer to motor name plate or electrical data sheet).
- For device insulation, appropriate (voltage-proof) cables must be used. Specify cables for the highest occurring rated voltage.
- To avoid contact corrosion, we recommend the use of sealing agents for cable glands and blanking plugs made of metal.
- Use connecting cable with appropriate minimum rated temperature.
- For connecting cables exposed to UV radiation (outdoor installation), use UV resistant cables.
- For the connection of position transmitters, screened cables must be used.

Cable installation in accordance with EMC

Signal and fieldbus cables are susceptible to interference. Motor cables are interference sources.

- Lay cables being susceptible to interference or sources of interference at the highest possible distance from each other.
- The interference immunity of signal and fieldbus cables increases if the cables are laid close to the earth potential.
- If possible, avoid laying long cables and make sure that they are installed in areas being subject to low interference.
- Avoid parallel paths with little cable distance of cables being either susceptible to interference or interference sources.

Profinet cables The following minimum requirements with regard to LAN cables apply for Profinet networks: Category 5 according to ISO/IEC 11801 Edition 2.0 Class D.

Connector is suitable for wiring dual pair Profinet cables.

The following tables list the available cable types Profinet types A through C with regard to the respective application:

Table 13:

Cable types for dual pair Profinet cables			
Cable types	Application type A	Application type B	Application type C
Version	Dual pair data cable	Dual pair data cable	Dual pair data cable
Type of installation	fixed installation, immobile after installation	flexible installation (e.g. for continuous movement, vibration or twisting after installation)	special applications (e.g. for continuous movement, vibration or twisting)
Cable parameter			
Designation (minimum)	“Profinet type A”	“Profinet type B”	“Profinet type C”
Cross section	AWG 22/1 ≥ 0.610 mm ²	AWG 22/7 ≥ 0.318 mm ²	AWG 22/.. ≥ 0.318 mm ²
Outer cable diameter	5.5 – 8.0 mm		depending on application
Wire diameter	1.4 ± 0.2 mm		depending on application
Colour of shield	Green RAL6018		depending on application
Colour of wire insulation	Pair 1: white, blue Pair 2: yellow, orange		
Number of wires	4		
Cable design	Dual pair or star quad		
Shield	Aluminium foil + copper braid		depending on application
Communication requirements			
Applicable standards	ISO/IEC 11801 Edition 2.0 IEC 61140-1 IEC 61156-5 (minimum device group 5)		ISO/IEC 11801 Edition 2.0 IEC 61140-1 IEC 61156-6 (minimum device group 5)
Delay	≤20 ns/100 m		
Coupling attenuation	≥80 dB at 30 – 100 MHz “Channel class-D” according to EN 50174-2		

Minimum cable spacing The minimum spacing (according to IEC 61918) required between laying Profinet cables and other cables must be respected. They are shown in the table below.

Table 14:

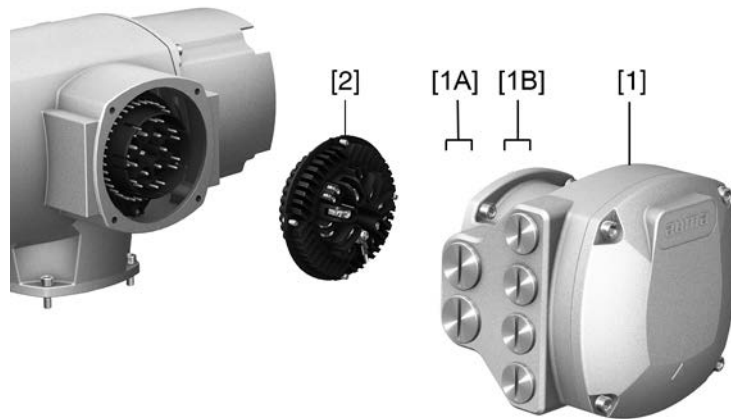
Minimum spacing for Profinet cables			
	Spacing to Profinet cable		
	Without or with non-metal cutoff bridge	Aluminium cutoff bridge	Steel cutoff bridge
Signal transmission cables			
E.g. other Profinet cables, Profibus cables, data cables for PCs, programming devices, shielded analogue inputs	0 mm	0 mm	0 mm
Power supply cables			
Unshielded power supply cables	200 mm	100 mm	50 mm
Shielded power cables	0 mm	0 mm	0 mm

Further references Ensure absence of equipotential earth bonding differences between the individual devices at Profinet (perform an equipotential earth bonding).

Available Profinet recommendations, particularly planning, assembly and commissioning guidelines of the Profibus User Organisation (PNO) (www.profibus.com) must be met.

6.2. SF electrical connection (AUMA plug/socket connector)

Figure 17: SF electrical connection



- [1] Terminal compartment (in cover)
- [1A] Cable entries for mains connection (power and control contacts)
- [1B] Cable entries for fieldbus cables
- [2] Socket carrier with screw-type terminals

Short description Plug-in electrical connection with screw-type terminals for power and control contacts. Control contacts also available as crimp-type connection as an option.

SF version. For power and control cable connection, remove the AUMA plug/socket connector and the socket carrier from terminal compartment. Removing the cover is sufficient for connecting the fieldbus cables.

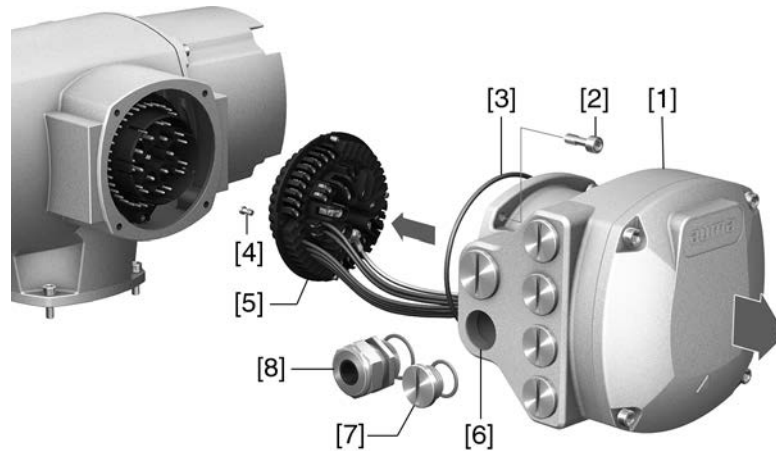
Technical data

Table 15:

Electrical connection via AUMA plug/socket connector		
	Power contacts	Control contacts
No. of contacts max.	6 (3 equipped) + protective earth conductor (PE)	50 pins/sockets
Designation	U1, V1, W1, U2, V2, W2, PE	1 to 50
Connection voltage max.	750 V	250 V
Rated current max.	25 A	16 A
Type of customer connection	Screw connection	Screw connection, crimp-type (option)
Connection diameter max.	6 mm ² (flexible) 10 mm ² (solid)	2.5 mm ² (flexible or solid)

6.2.1. Terminal compartment (for mains connection): open

Figure 18: Open mains terminal compartment



- [1] Connection housing
- [2] Screws for frame
- [3] O-ring
- [4] Screws for socket carrier
- [5] Socket carrier
- [6] Cable entries for mains connection (power and control contacts)
- [7] Blanking plug
- [8] Cable gland (not included in delivery)



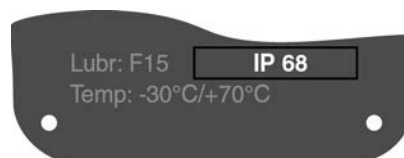
Electric shock due to presence of hazardous voltage!

Death or serious injury.

→ Disconnect device from the mains before opening.

1. Loosen screws [2] and remove connection housing [1].
2. Loosen screws [4] and remove socket carrier [5] from connection housing [1].
3. Insert cable glands [8] suitable for connecting cables.
- ➔ The enclosure protection IP... stated on the name plate is only ensured if suitable cable glands are used.

Figure 19: Example: Name plate for enclosure protection IP68



4. Seal unused cable entries [6] with suitable blanking plugs [7].

Information

Fieldbus connection can be accessed separately from the mains connection (refer to <Fieldbus terminal compartment: open>).

6.2.2. Cable connection

Table 16:

Terminal cross sections and terminal tightening torques		
Designation	Terminal cross sections	Tightening torques
Power contacts (U1, V1, W1, U2, V2, W2)	1.0 – 6 mm ² (flexible) 1.5 – 10 mm ² (solid)	1.2 – 1.5 Nm
Protective earth connection Ⓧ (PE)	1.0 – 6 mm ² (flexible) with ring lugs 1.5 – 10 mm ² (solid) with loops	1.2 – 2.2 Nm
Control contacts (1 to 50)	0.25 – 2.5 mm ² (flexible) 0.34 – 2.5 mm ² (solid)	0.5 – 0.7 Nm

1. Remove cable sheathing.
2. Insert the wires into the cable glands.
3. Fasten cable glands with the specified torque to ensure required enclosure protection.
4. Strip wires.
→ Controls approx. 6 mm, motor approx. 10 mm
5. For flexible cables: Use wire end sleeves according to DIN 46228.
6. Connect cables according to order-related wiring diagram.



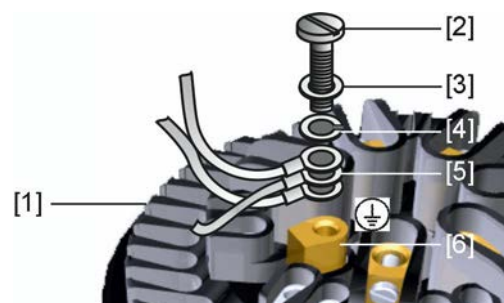
In case of a fault, electric shock due to presence of hazardous voltage if the PE conductor is NOT connected!

Risk of death or serious injury!

- Connect all protective earth conductors.
- Connect PE connection to external protective earth conductor of connecting cables.
- Start running the device only after having connected the protective earth conductor.

7. Tighten PE conductors firmly to PE connection using ring lugs (flexible cables) or loops (solid cables).

Figure 20: Protective earthing

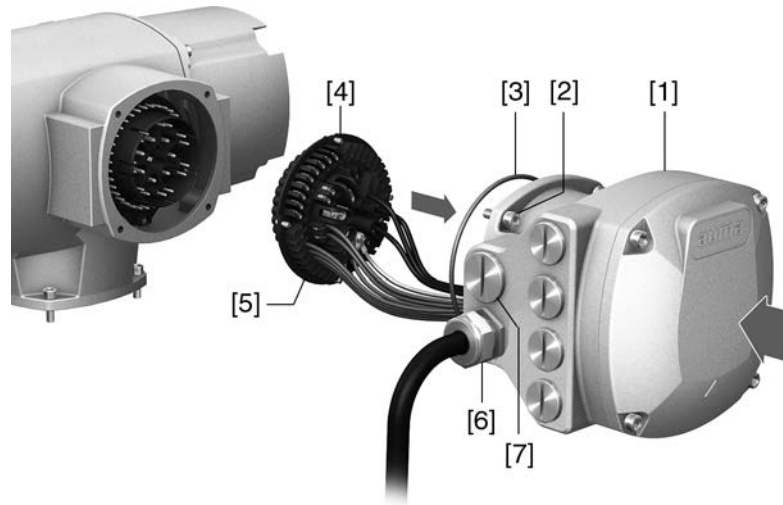


- [1] Socket carrier
- [2] Screw
- [3] Washer
- [4] Lock washer
- [5] Protective earth with ring lugs/loops
- [6] Protective earthing, symbol: Ⓧ

8. For shielded cables: Link the cable shield end via the cable gland to the housing (earthing).

6.2.3. Terminal compartment (for mains connection): close

Figure 21: Close mains terminal compartment



- [1] Connection housing
- [2] Screws for connection housing
- [3] O-ring
- [4] Screws for socket carrier
- [5] Socket carrier
- [6] Cable gland (not included in delivery)
- [7] Blanking plug



Short-circuit and electric shock due to pinching of cables!

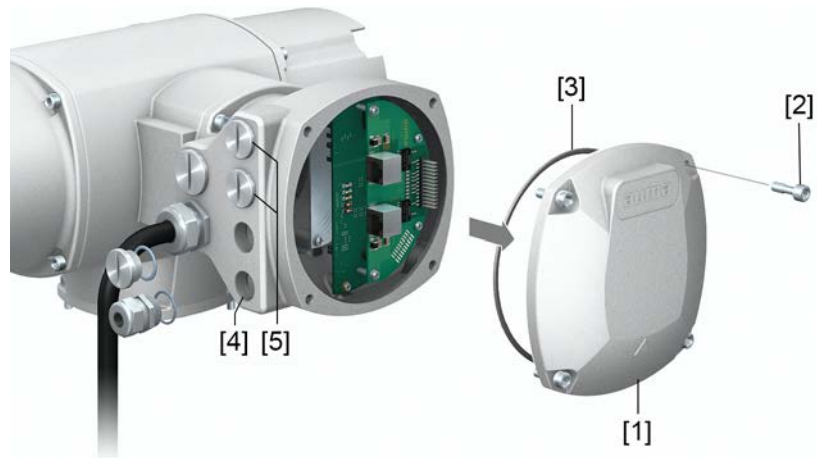
Risk of death or serious injury!

→ Carefully fit socket carrier to avoid pinching the cables.

1. Insert the socket carrier [5] into the connection housing [1] and fasten with screws [4].
2. Clean sealing faces of connection housing [1] and housing.
3. Check whether O-ring [3] is in good condition, replace if damaged.
4. Apply a thin film of non-acidic grease (e.g. petroleum jelly) to the O-ring and insert it correctly.
5. Fit connection housing [1] and fasten screws [2] evenly crosswise.
6. Fasten cable glands and blanking plugs applying the specified torque to ensure the required enclosure protection.

6.2.4. Fieldbus terminal compartment: open

Figure 22: Open cover to fieldbus terminal compartment



- [1] Cover (fieldbus terminal compartment)
- [2] Screws for cover
- [3] O-ring
- [4] Cable entries for fieldbus cables
- [5] Blanking plug

The AUMA plug/socket connector is equipped with a connection board for connecting the fieldbus cables. When removing the cover [1], the connection board is easily accessible.

DANGER**Electric shock due to presence of hazardous voltage!**

Death or serious injury.

→ Disconnect device from the mains before opening.

NOTICE**Electrostatic discharge ESD!**

Risk of damage to electronic components.

→ Earth both operators and devices.

1. Loosen screws [2] and remove cover [1].
2. Insert cable glands suitable for fieldbus cables.
- The enclosure protection IP... stated on the name plate is only ensured if suitable cable glands are used.

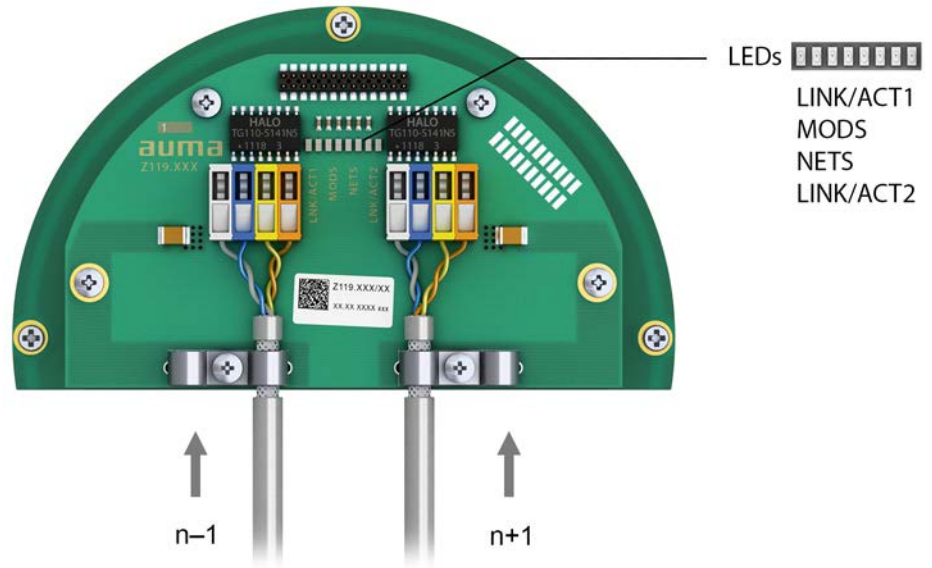
Figure 23: Example: Name plate for enclosure protection IP68



3. Seal unused cable entries with suitable plugs.

6.2.5. Profinet cables: connect

Figure 24: Profinet connection board with connection terminals



n-1 Profinet cable from previous device
 n+1 Profinet cable to next device
 (For line topology or redundant ring/MRP - Media Redundancy Protocol)

Profinet connection is made individually by means of a safe Ethernet-capable insulation displacement connection. The colour coding of connection terminals are matching the Ethernet cable according to Profinet (white/blue/yellow/orange).

Table 17: Connecting data

Connection capacity (solid wire)	0.2 mm ² – 0.34 mm ² / AWG 24 – AWG 22
Connection capacity (stranded)	0.2 mm ² – 0.34 mm ² / AWG 24 – AWG 22

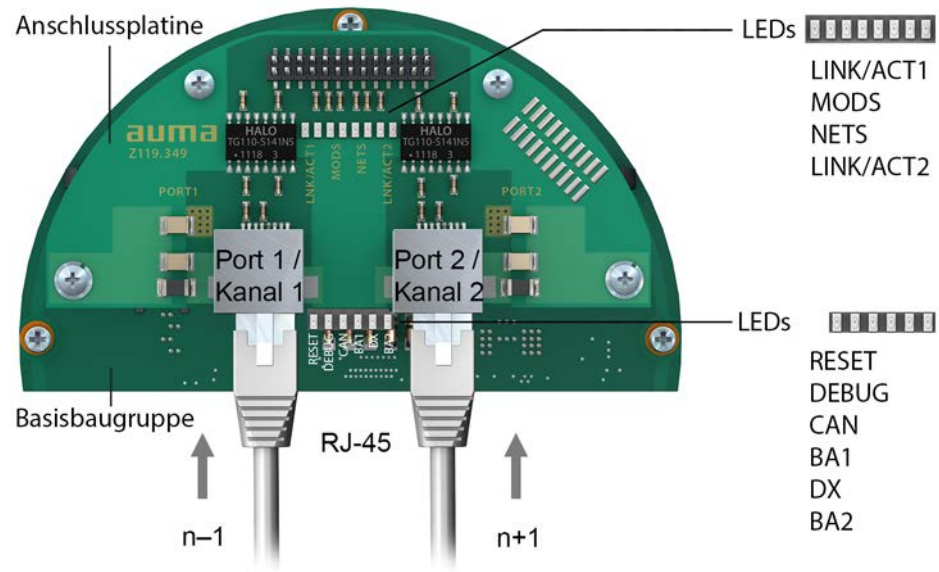
1. Remove cable sheathing and clamp shield under strain relief.
2. Connect cables to connection terminals. For this, use a small screwdriver to lift or push down the levers.

Table 18:

Connection terminal assignment		
Signal	Function	Colour of wire insulation
TD +	Transmit Data +	Yellow
TD –	Transmit Data –	Orange
RD +	Receive Data +	White
RD –	Receive Data –	Blue

Option:

Figure 25: Profinet connection board with RJ-45 connections



n-1 Profinet cable from previous device

n+1 Profinet cable to next device

(For line topology or redundant ring/MRP - Media Redundancy Protocol)

Profinet connection is made via RJ-45 ports by means of connectors for field assembly. The scope of delivery includes one RJ-45 Profinet connector for Cat.5 (supplied within electrical connector). Further connectors are available with AUMA (e.g. for line topology or redundant ring) on request.

Order designations:

- RJ-45 Profinet connector for Cat.5 (as included in scope of delivery): AUMA article number K009.706
- Option: RJ-45 Profinet connector for Cat.6_A cables: AUMA article number K009.705

Table 19:

Assignment of RJ-45 Profinet port			
Signal	Function	Colour of wire insulation	Pin
TD +	Transmit Data +	Yellow	1
TD -	Transmit Data -	Orange	2
RD +	Receive Data +	White	3
RD -	Receive Data -	Blue	6

Description of LEDs on connection board

Table 20:

MODS (Module Status)	Status	Explanation
Red LED: off + Green LED: off	Not Initialised	No voltage or module in "SETUP" or "NW_INIT" status
Green LED: illuminated	Normal Operation	The module has aborted "NW_INIT" status
Green LED: 1 brief pulse	Diagnostic Events	Diagnostic events available
Red LED: illuminated + Red NETS LED: off	Exception Error	Device in "EXCEPTION" status
Red LED: illuminated + Red NETS LED: illuminated	Fatal Event	Internal device error
Green/Red LEDs: Alternately blinking	Firmware update	Do not cut power supply!

Table 21:

NETS (Network Status)	Status	Explanation
Red LED: off + Green LED: off	Offline	Absence of power supply or no connection to IO controller
Green LED: illuminated	RUN	Connection to IO controller available
Green LED: 1 brief pulse	STOP	Connection to IO controller available. However, IO controller is in STOP status or IO data is incorrect.
Green LED: blinking	Blink	Is used by engineering tools to identify the device within the Profinet network
Red LED: illuminated	Fatal Event	Internal error, combined with "MODS" LED.
Red LED: 1 brief pulse	Station Name Error	Device name (station name) not yet set
Red LED: 2 brief pulses	IP address Error	IP address not yet set
Red LED: 3 brief pulses	Configuration Error	Identification incorrect

Table 22:

LINK/ACT1, LINK/ACT2 (Link/Activity Port 1 / 2)	Explanation
Red LED: off + Green LED: off	No communication at port 1 or 2
Green LED: illuminated	Port 1 or 2 are in "Link Established" status
Green LED: blinking	Data communication via port 1 or port 2
Red LED	No function

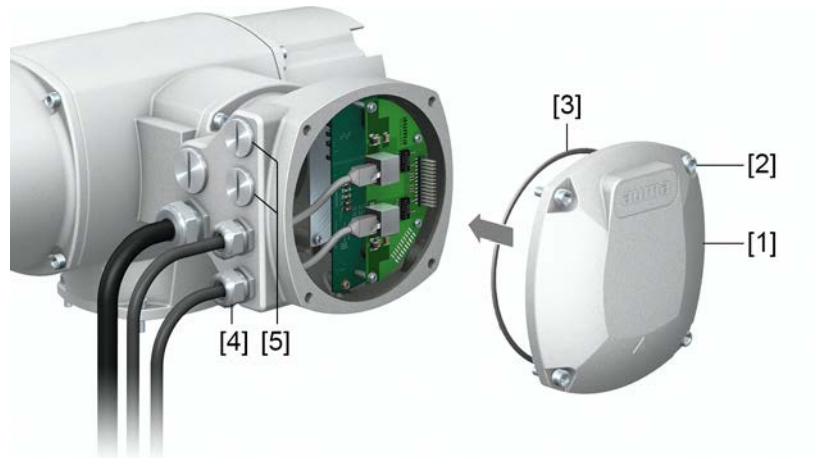
Description of LEDs on base sub-assembly

Table 23:

LED	Explanation
RESET LED: illuminated	No Reset active, power supply available
DEBUG LED: illuminated	Sub-assembly in Reset status
DEBUG LED: 1 brief pulse	Sub-assembly in initialisation status
DEBUG LED: briefly blinking (1 Hz)	Debug mode active
DEBUG LED: slowly blinking (5 Hz)	Normal status (Profinet application active)
CAN LED: illuminated	Error of internal CAN communication
BA1 LED or BA2 LED: illuminated	Bus active ("Link Established" at port 1 or port 2)
DX LED: illuminated	"Data Exchange" via Profinet

6.2.6. Fieldbus terminal compartment: close

Figure 26: Close fieldbus terminal compartment



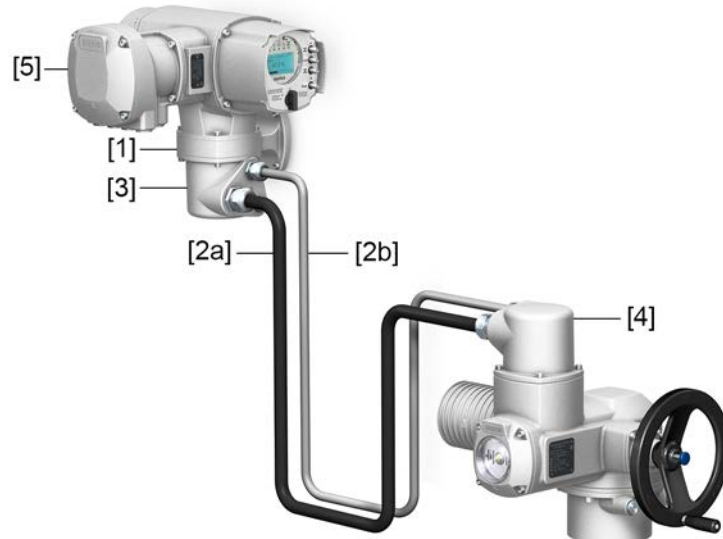
- [1] Cover (fieldbus terminal compartment)
- [2] Screws for cover
- [3] O-ring
- [4] Cable glands for fieldbus cables
- [5] Blanking plug

1. Clean sealing faces of cover [1] and housing.
2. Apply a thin film of non-acidic grease (e.g. petroleum jelly) to the sealing faces.
3. Check whether O-ring [3] is in good condition, correctly insert O-ring.
4. Fit cover [1] and fasten screws [2] evenly crosswise.
5. Fasten cable glands and blanking plugs applying the specified torque to ensure the required enclosure protection.

6.3. Accessories for electrical connection

6.3.1. Actuator controls on wall bracket

Design Figure 27: Design principle with wall bracket



- [1] Wall bracket
- [2] Connecting cables
- [3] Electrical connection of wall bracket (XM)
- [4] Electrical connection of actuator (XA)
- [5] Elektroanschluss/Busanschluss Steuerung (XK) – Kundenstecker

Application The wall bracket allows separate mounting of actuator controls and actuator.

- If the actuator cannot be accessed safely.
- If the actuator is subjected to high temperatures.
- In case of heavy vibration of the valve.

Information on installation with wall bracket

- The permissible cable length between actuator controls on wall bracket and the actuator amounts to 100 m maximum.
- If the actuator is equipped with a position transmitter (EWG, RWG):
 - Use suitable flexible and screened connecting cables.
 - Earth cable shield at both ends.
 - Versions with potentiometer in the actuator are not suitable.
- We recommend using an AUMA “LSW” cable set .
- If the AUMA cable set is not used: Use suitable flexible and screened connecting cables.
- When using connecting cables, e.g. of the heater or switch, requiring direct wiring from the actuator to the XK customer plug (XA-XM-XK, refer to wiring diagram), these connecting cables must be subject to an insulation test in compliance with EN 50178. Connecting cables of position transmitters (EWG, RWG, IWG, potentiometer) do not belong to this group. They may **not** be subjected to an insulation test.

6.3.2. Parking frame

Figure 28: Parking frame, example with AUMA plug/socket connector and cover

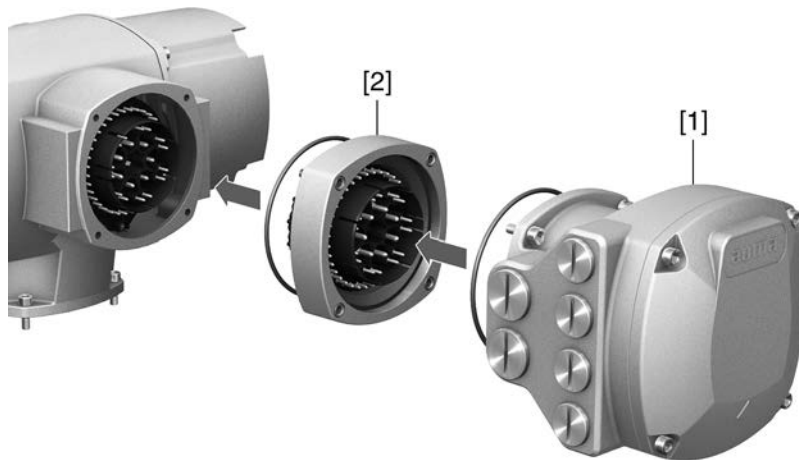


Application Parking frame for safe storage of a disconnected plug or cover.

For protection against touching the bare contacts and against environmental influences.

6.3.3. DS intermediate frame for double sealing

Figure 29: Electrical connection with DS intermediate frame



[1] Electrical connection

[2] DS intermediate frame

Application When removing the electrical connection or due to leaky cable glands, there is a potential risk of ingress of dust and water into the housing. This is prevented effectively by inserting the double sealed intermediate frame [2] between the plug/socket connector [1] and the housing of the device. The enclosure protection of the device (IP68) will not be affected, even if the electrical connection [1] is removed.

6.3.4. External earth connection

Figure 30: Earth connection for part-turn actuator



Application External earth connection (U-bracket) for connection to equipotential compensation.

Table 24:

Terminal cross sections and earth connection tightening torques		
Conductor type	Terminal cross sections	Tightening torques
Solid wire and stranded	2.5 mm ² to 6 mm ²	3 – 4 Nm
Fine stranded	1.5 mm ² to 4 mm ²	3 – 4 Nm

For fine stranded (flexible) wires, connection is made via cable lugs/ring terminals. When connecting two individual wires with a U-bracket, cross sections have to be identical.

7. Operation

7.1. Manual operation

For purposes of setting and commissioning, in case of motor or power failure, the actuator may be operated manually. Manual operation is engaged by an internal change-over mechanism.

Manual operation is automatically disengaged when motor is started again. The handwheel does not rotate during motor operation.

7.1.1. Manual valve operation



Damage at the manual change-over mechanism/motor coupling due to faulty operation!

- Engage manual operation only during motor standstill.
- Do NOT use extensions as lever for operation.

1. Press push button.
2. Turn handwheel in desired direction.



↳ The closing direction is marked on the handwheel.

Table 25: Handwheel marking (examples)

→ For valve closing, turn handwheel in direction of the arrowhead.	
 Clockwise closing	 Counterclockwise closing
Drive shaft (valve) turns clockwise in direction CLOSE.	Drive shaft (valve) turns counterclockwise in direction CLOSE.

7.2. Motor operation



Valve damage due to incorrect basic setting!

- Prior to electric actuator operation, perform the basic settings for “type of seating” and “torque switching”.

7.2.1. Operating the actuator from local controls

Local actuator operation is performed using the local controls push buttons of actuator controls.

Figure 31: Local controls



- [1] Push button for operation command in direction OPEN
- [2] Push button STOP
- [3] Push button for operation command in direction CLOSE
- [4] Push button RESET
- [5] Selector switch

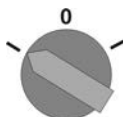
CAUTION

Hot surfaces, e.g. possibly caused by high ambient temperatures or strong direct sunlight!



Risk of burns

→ Verify surface temperature and wear protective gloves.

→ Set selector switch [5] to position **Local control** (LOCAL).



➔ The actuator can now be operated using the push buttons [1 – 3]:

- Run actuator in direction OPEN: Press push button [1] 
- Stop actuator: Press push button STOP [2].
- Run actuator in direction CLOSE: Press push button [3] 

Information

The OPEN and CLOSE operation commands can be given either in push-to-run or in self-retaining operation mode. In self-retaining mode, the actuator runs to the defined end position after pressing the button, unless another command has been received beforehand. For further information, please refer to the Manual (Operation and setting).

7.2.2. Actuator operation from remote

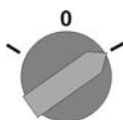
CAUTION

Risk of immediate actuator operation when switching on!

Risk of personal injuries or damage to the valve

- If the actuator starts unexpectedly: Immediately turn selector switch to **0** (OFF).
- Check input signals and functions.

→ Set selector switch to position **Remote control** (REMOTE).

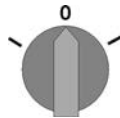


Information For actuators equipped with a positioner, it is possible to change over between **OPEN - CLOSE control** (Remote OPEN-CLOSE) and **setpoint control** (Remote SET-POINT). For further information, please refer to the Manual (Operation and setting).

7.3. Menu navigation via push buttons (for settings and indications)

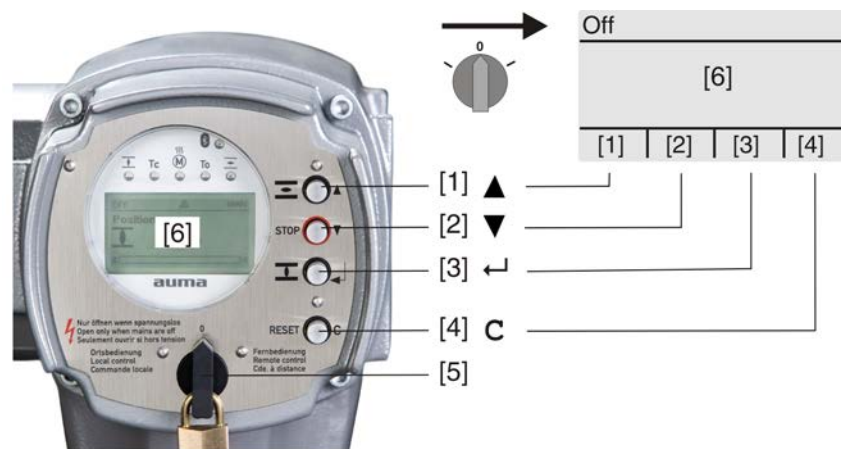
Menu navigation for display and setting is made via the push buttons [1 – 4] of the local controls.

Set the selector switch [5] to position **0** (OFF) when navigating through the menu.



The bottom row of the display [6] serves as navigation support and explains which push buttons [1 – 4] are used for menu navigation.

Figure 32:



[1–4] Push buttons or navigation support

[5] Selector switch

[6] Display

Table 26: Important push button functions for menu navigation

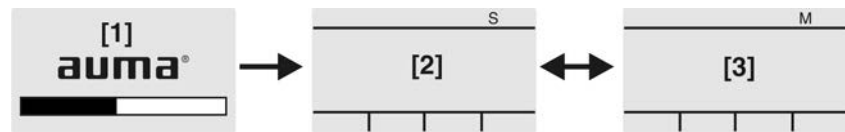
Push buttons	Navigation support on display	Functions
[1] ▲	Up ▲	Change screen/selection Change values Enter figures from 0 to 9
[2] ▼	Down ▼	Change screen/selection Change values Enter figures from 0 to 9
[3] ↵	Ok	Confirm selection
	Save	Save
	Edit	Enter <Edit> menu
	Details	Display more details
[4] C	Setup	Enter Main menu
	Esc	Cancel process
		Return to previous display

- Backlight**
- The display is illuminated in white during normal operation. It is illuminated in red in case of a fault.
 - The screen illumination is brighter when operating a push button. If no push button is operated for 60 seconds, the display will become dim again.

7.3.1. Menu layout and navigation

Groups The indications on the display are divided into 3 groups:

Figure 33: Groups



- [1] Start menu
- [2] Status menu
- [3] Main menu

ID Status menu and main menu are marked with an ID.

Figure 34: Marking with ID

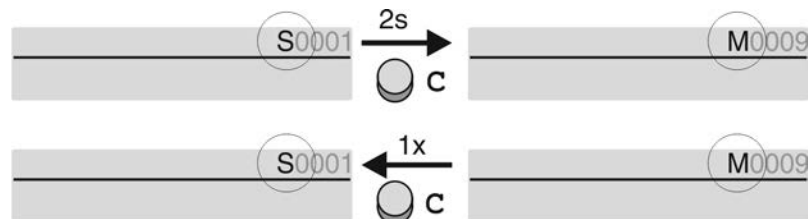


- S ID starts with S = status menu
- M ID starts with M = main menu

Group selection It is possible to select between status menu **S** and main menu **M**:

For this, set selector switch to **0** (OFF), hold down push button **C** for approx. 2 seconds until a screen containing the ID **M...** appears.

Figure 35: Select menu groups

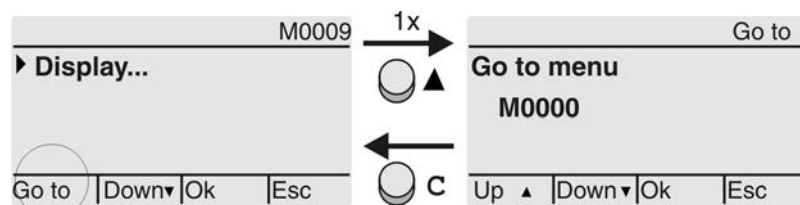


You return to the status menu if:

- the push buttons on the local controls have not been operated within 10 minutes
- or by briefly pressing **C**

Direct display via ID When entering the ID within the main menu, screens can be displayed directly (without clicking through).

Figure 36: Direct display (example)



Display indicates in the bottom row: **Go to**

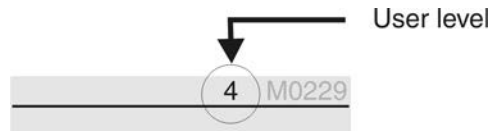
1. Press push button **▲ Go to**.
Display indicates: **Go to menu M0000**
2. Use push buttons **▲▼ Up ▲ Down ▼** to select figures 0 to 9.
3. Press push button **◀ Ok** to confirm first digit.
4. Repeat steps 2 and 3 for all further digits.
5. To cancel the process: Press **C Esc**.

7.4. User level, password

User level The user level defines which menu items or parameters can be displayed or modified by the active user.

There are 6 different user levels. The user level is indicated in the top row:

Figure 37: User level display (example)



Password A password must be entered to allow parameter modification. The display indicates: Password 0***

A specific password is assigned to each user level and permits different actions.

Table 27:

User levels and authorisations	
Designation (user level)	Authorisation/password
Observer (1)	Verify settings No password required
Operator (2)	Change settings Default factory password: 0000
Maintenance (3)	Reserved for future extensions
Specialist (4)	Change device configuration e.g. type of seating, assignment of output contacts Default factory password: 0000
Service (5)	Service staff Change configuration settings
AUMA (6)	AUMA administrator



Unauthorised access is made easier due to insecure password!

→ We urgently recommend changing the password during initial commissioning.

7.4.1. Password entry

1. Select desired menu and hold down push button **↵** for approx. 3 seconds.
 - ➔ Display indicates the set user level, e.g. **Observer (1)**
2. Select higher user level via **▲ Up ▲** and confirm with **↵ Ok**.
 - ➔ Display indicates: **Password 0*****
3. Use push buttons **▲▼ Up ▲ Down ▼** to select figures 0 to 9.
4. Confirm first digit of password via push button **↵ Ok**.
5. Repeat steps 1 and 2 for all further digits.
 - ➔ Having confirmed the last digit with **↵ Ok**, access to all parameters within one user level is possible if the password entry is correct.

7.4.2. Password change

Only the passwords of same or lower access level may be changed.

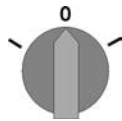
Example: If the user is signed in as **Specialist (4)**, he/she can change passwords as for password levels (1) through (4).

- M ▷ **Device configuration M0053**
- Service functions M0222**
- Change passwords M0229**

Menu item **Service functions M0222** is only visible, if user level **Specialist (4)** or higher is selected.

Select main menu

1. Set selector switch to position **0** (OFF).



2. Press push button **C Setup** and hold it down for approx. 3 seconds.
 ➔ Display goes to main menu and indicates: ▶ **Display**

Change passwords

3. Select parameter **Change passwords** either:
 - click via the menu **M ▶** to parameter, or
 - via direct display: press **▲** and enter ID **M0229**
- Display indicates: ▶ **Change passwords**
- The user level is indicated in the top row (1 – 6), e.g.:



- For user level 1 (view only), passwords cannot be changed. To change passwords, you must change to a higher user level. For this, enter a password via a parameter.
4. For a user level between 2 and 6: Press push button **◀ Ok**.
 ➔ The display indicates the highest user level, e.g.: **For user 4**
5. Select user level via push buttons **▲▼ Up ▲ Down ▼** and confirm with **◀ Ok**.
 ➔ Display indicates: ▶ **Change passwords Password 0*****
6. Enter current password (→ enter password).
 ➔ Display indicates: ▶ **Change passwords Password (new) 0*****
7. Enter new password (→ enter password).
 ➔ Display indicates: ▶ **Change passwords For user 4** (example)
8. Select next user level via push buttons **▲▼ Up ▲ Down ▼** or cancel the process via **Esc**.

7.4.3. Timeout for incorrect password entry

A timeout for incorrect password entry is provided with actuator controls. This prevents unauthorised access by systematic trials. The timeout is active for incorrect entries via the local controls as well as incorrect entries via our software tools (AUMA CDT, AUMA Assistant App). After five subsequent incorrect trials, further entry is inhibited for one minute. Each further incorrect entry doubles the timeout period. An active timeout is displayed on the screen. An individual timeout is available for each user level. This means that you may still log on with user level 3 if user level 4 is inhibited.

The incorrect entry counter can be reset in two ways:

1. Correct password entry with successful access authorisation.
2. 8 hours after the last incorrect entry.

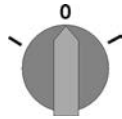
7.5. Language in the display

The display language can be selected.

7.5.1. Language change

M ▶ **Display M0009**
Language M0049

Select main menu 1. Set selector switch to position **0** (OFF).



2. Press push button **C Setup** and hold it down for approx. 3 seconds.

➔ Display goes to main menu and indicates: ▶ **Display**

Change language

3. Press **↵ Ok**.

➔ Display indicates: ▶ **Language**

4. Press **↵ Ok**.

➔ Display indicates the selected language, e.g.: ▶ **Deutsch**

5. The bottom row of the display indicates:

→ **Save** → continue with step 10

→ **Edit** → continue with step 6

6. Press **↵ Edit**.

➔ Display indicates: ▶ **Observer (1)**

7. Select user level via **▲▼ Up ▲ Down ▼** resulting in the following significations:

→ black triangle: ▶ = current setting

→ white triangle: ▷ = selection (not saved yet)

8. Press **↵ Ok**.

➔ Display indicates: **Password 0*****

9. Enter password (→ enter password).

➔ Display indicates: ▶ **Language** and **Save** (bottom row)

Language selection

10. Select new language via **▲▼ Up ▲ Down ▼** resulting in the following significations:

→ black triangle: ▶ = current setting

→ white triangle: ▷ = selection (not saved yet)

11. Confirm selection via **↵ Save**.

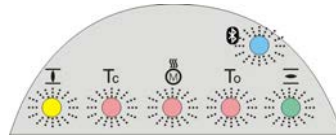
➔ The display changes to the new language. The new language selection is saved.

8. Indications

8.1. Indications during commissioning

LED test When switching on the power supply, all LEDs on the local controls illuminate for approx. 1 second. This optical feedback indicates that the voltage supply is connected to the controls and all LEDs are operable.

Figure 38: LED test

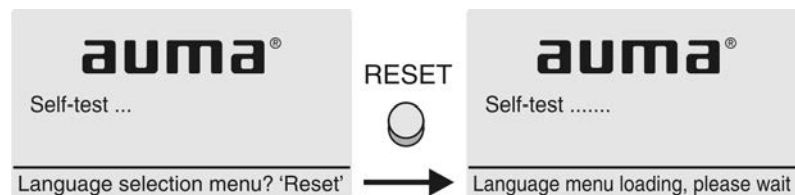


Language selection During the self-test, the language selection can be activated so that the selected language is immediately indicated in the display. For this, set selector switch to position **0** (OFF).

Activate language selection:

1. Display indicates in the bottom line: **Language selection menu? 'Reset'**
2. Hold down push button **RESET** until display of the following text in the bottom line: **Language menu loading, please wait.**

Figure 39: Self-test



The language selection menu follows the startup menu.

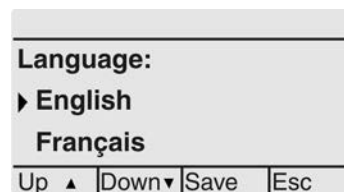
Startup menu The current firmware version is displayed during the startup procedure:

Figure 40: Startup menu with firmware version: 05.00.00–xxxx



If the language selection feature has been activated during the self-test, the menu for selecting the display language will now be indicated. For further information on language setting, please refer to chapter <Language in the display>.

Figure 41: Language selection



If no entry is made over a longer period of time (approx. 1 minute), the display automatically returns to the first status indication.

8.2. Indications in the display

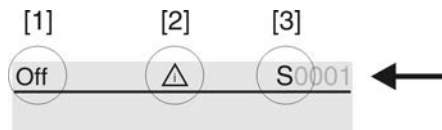


Menus and functions depend on the actuator controls firmware version!

→ Should menus or functions be unavailable, please contact the AUMA Service.

Status bar The status bar (first row in the display) indicates the operation mode [1], the presence of an error [2] and the ID number [3] of the current display indication.

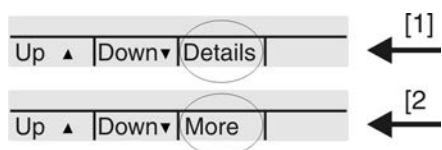
Figure 42: Information in the status bar (top)



- [1] Operation mode
- [2] Error symbol (only for faults and warnings)
- [3] ID number: S = Status page

Navigation support If further details or information are available with reference to the display, the following indications **Details** or **More** appear in the navigation support (bottom display row). Then, further information can be displayed via the ← push button.

Figure 43: Navigation support (bottom)



- [1] shows list with detailed indications
- [2] shows further available information

The navigation support (bottom row) is faded out after approx. 3 seconds. Press any push button (selector switch in position 0 (OFF)) to fade in the navigation support.

8.2.1. Feedback signals from actuator and valve

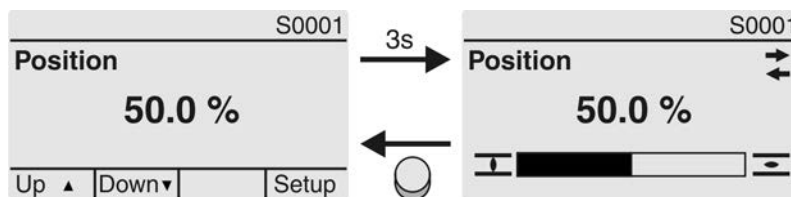
Display indications depend on the actuator version.

Valve position (S0001)

This indication is only available if a position transmitter (potentiometer, EWG, RWG or MWG) is installed in the actuator.

- **S0001** on the display indicates the valve position in % of the travel.
- The bar graph display appears after approx. 3 seconds.
- When issuing an operation command, an arrow indicates the direction (OPEN/CLOSE).

Figure 44: Valve position and direction of operation





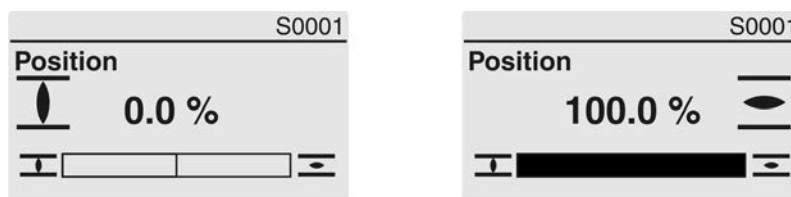
Reaching the preset end positions is additionally indicated via  (CLOSED) and  (OPEN) symbols.

Figure 45: End position CLOSED/OPEN reached



- 0% Actuator is in end position CLOSED
- 100% Actuator is in end position OPEN

Operation commands (S0003)

The display **S0003** indicates:

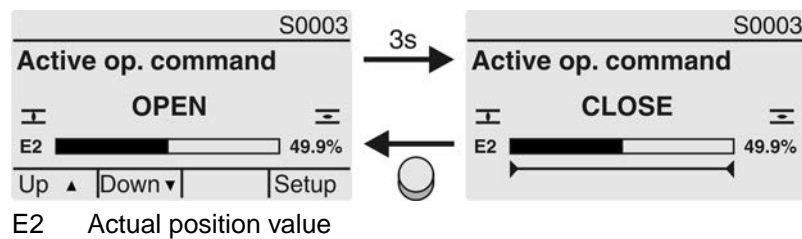
- active operation commands, like e.g.: Operation in direction CLOSE or in direction OPEN
- the actual value E2 as bar graph indication and as value between 0 and 100 %.
- for setpoint control (positioner): setpoint E1
- for stepping mode or for intermediate positions with operation profile: pivot points and operation behaviour of pivot points

The navigation support (bottom row) is faded out after approx. 3 seconds and the axis/axes for pivot point display are shown.

OPEN - CLOSE control

Active operation commands (OPEN, CLOSE, ...) are shown above the bar graph display. The figure below shows the operation command in direction CLOSE.

Figure 46: Display for OPEN - CLOSE control

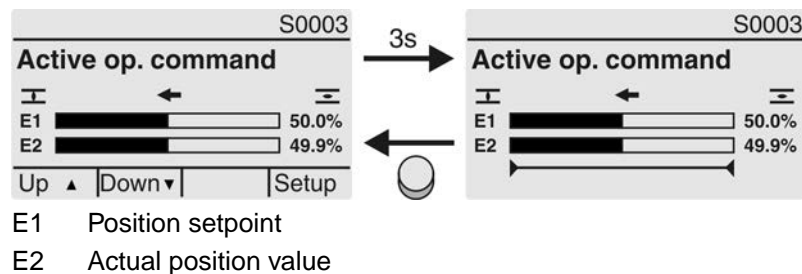


Setpoint control

If the positioner is enabled and activated, the bar graph indication for E1 (position setpoint) is displayed.

The direction of the operation command is displayed by an arrow above the bar graph indication. The figure below shows the operation command in direction CLOSE.

Figure 47: Indication for setpoint control (positioner)



Pivot point axis

The pivot points and their operation behaviour (operation profile) are shown on the pivot point axis by means of symbols.

The symbols are only displayed if at least one of the following functions is activated:

Operation profile M0294

Timer CLOSE M0156

Timer OPEN M0206

Figure 48: Examples: on the left pivot points (intermediate positions); on the right stepping mode



Table 28: Symbols along the pivot point axis

Symbol	Pivot point (intermediate position) with operation profile	Stepping mode
	Pivot point without reaction	End of stepping mode
◀	Stop during operation in direction CLOSE	Start of stepping mode in direction CLOSE
▶	Stop during operation in direction OPEN	Start of stepping mode in direction OPEN
◆	Stop during operation in directions OPEN and CLOSE	–
◁	Pause for operation in direction CLOSE	–
▷	Pause for operation in direction OPEN	–
◇	Pause for operation in directions OPEN and CLOSE	–

8.2.2. Status indications according to AUMA classification

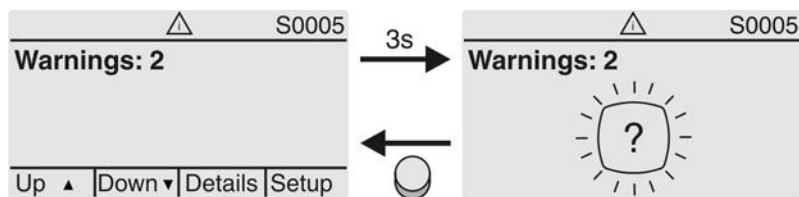
These indications are available if the parameter **Diagnostic classific. M0539** is set to **AUMA**.

Warnings (S0005)

If a warning has occurred, the display shows **S0005**:

- the number of warnings occurred
- a blinking question mark after approx. 3 seconds

Figure 49: Warnings



For further information, please also refer to <Corrective action>.

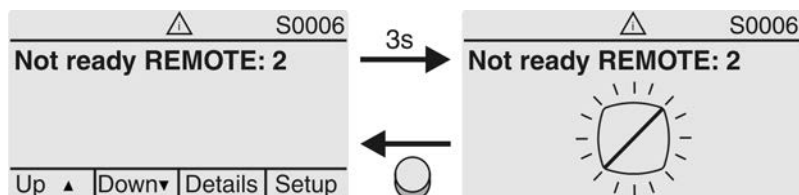
Not ready REMOTE (S0006)

The **S0006** display shows indications of the Not ready REMOTE group.

If such an indication has occurred, the display shows **S0006**:

- the number of indications occurred
- a blinking crossbar after approx. 3 seconds

Figure 50: Not ready REMOTE indications



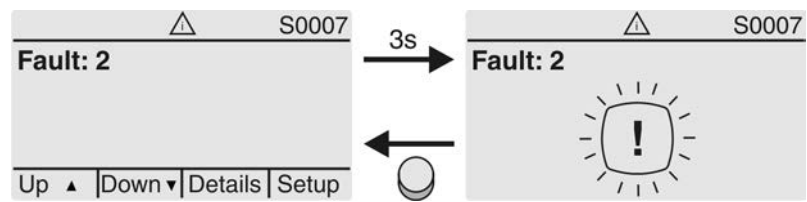
For further information, please also refer to <Corrective action>.

Fault (S0007)

Once a fault has occurred, the **S0007** display shows:

- the number of faults occurred
- a blinking exclamation mark after approx. 3 seconds

Figure 51: Fault



For further information, please also refer to <Corrective action>.

8.2.3. Status indications according to NAMUR recommendation

These indications are available, if the parameter **Diagnostic classific. M0539** is set to **NAMUR**.

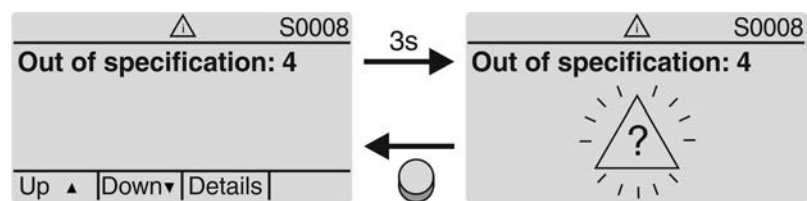
Out of Specification (S0008)

The **S0008** indication shows out of specification indications according to NAMUR recommendation NE 107.

If such an indication has occurred, the display shows **S0008**:

- the number of indications occurred
- a blinking triangle with question mark after approx. 3 seconds

Figure 52: Out of specification



For further information, please also refer to <Corrective action>.

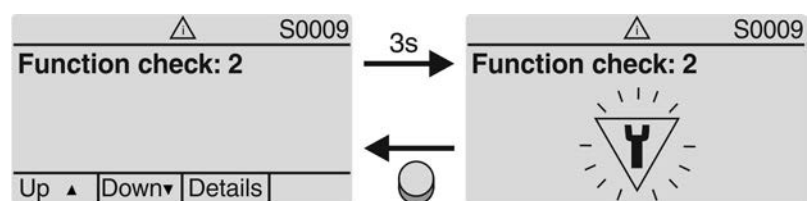
Function check (S0009)

The **S0009** indication shows function check indications according to NAMUR recommendation NE 107.

If an indication has occurred via the function check, the display shows **S0009**:

- the number of indications occurred
- a blinking triangle with a spanner after approx. 3 seconds

Figure 53: Function check



For further information, please also refer to <Corrective action>.

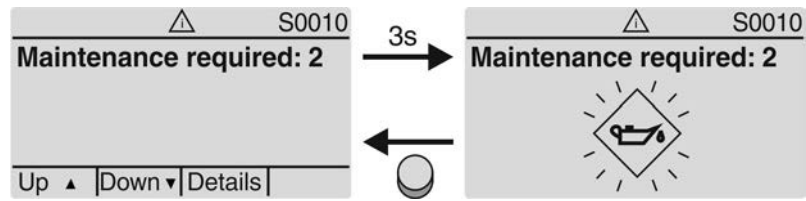
Maintenance required (S0010)

The **S0010** indication shows maintenance indications according to NAMUR recommendation NE 107.

If such an indication has occurred, the display shows **S0010**:

- the number of indications occurred
- a blinking square with an oilcan after approx. 3 seconds

Figure 54: Maintenance required



For further information, please also refer to <Corrective action>.

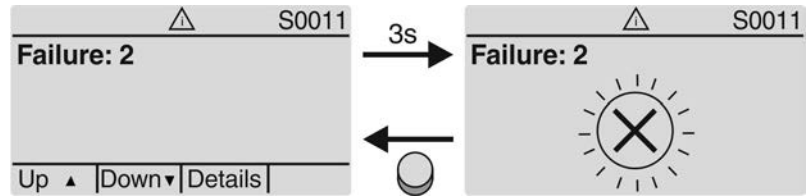
Failure (S0011)

The S0011 indication shows the causes of the failure indication according to NAMUR recommendation NE 107.

If such an indication has occurred, the display shows S0011:

- the number of indications occurred
- a blinking circle with a cross after approx. 3 seconds

Figure 55: Failure



For further information, please also refer to <Corrective action>.

8.3. Indication lights of local controls

Figure 56: Arrangement and signification of indication lights



- [1] Marking with symbols (standard)
- [2] Marking with figures 1 – 6 (option)
- 1 ↓ End position CLOSED reached (blinking: operation in direction CLOSE)
- 2 Tc Torque fault CLOSE
- 3 Ⓜ Motor protection tripped
- 4 To Torque fault OPEN
- 5 ↑ End position OPEN reached (blinking: operation in direction OPEN)
- 6 Ⓜ Bluetooth connection active

Modify indication light assignment (indications)

Different indications can be assigned to LEDs 1 – 5.

- M ▷ Device configuration M0053
 - Local controls M0159
 - Indication light 1 (left) M0093
 - Indication light 2 M0094
 - Indication light 3 M0095
 - Indication light 4 M0096
 - Indicat. light 5 (right) M0097
 - Signal interm. pos. M0167

Default values (Europe):

Indication light 1 (left) = End p. CLOSED, blink

Indication light 2 = Torque fault CLOSE
Indication light 3 = Thermal fault
Indication light 4 = Torque fault OPEN
Indicat. light 5 (right) = End p. OPEN, blink
Signal interm. pos. = OPEN/CLOSED = Off

Further setting values:

Refer to Manual (Operation and setting).

8.4. Mechanical position indication via indicator mark

Figure 57: Mechanical position indicator



- [1] End position OPEN reached
- [2] End position CLOSED reached
- [3] Indicator mark at cover

Characteristics

- Independent of power supply
- Used as running indication: Indicator disc rotates during actuator operation and continuously indicates the valve position
(For “clockwise closing” version, the symbols $\overline{\text{O}}/\underline{\text{I}}$ rotate in counterclockwise direction for operations in direction CLOSE)
- Indicates that end positions (OPEN/CLOSED) have been reached
(Symbols $\overline{\text{O}}$ (OPEN)/ $\underline{\text{I}}$ (CLOSED) point to the indicator mark \blacktriangle at cover)

9. Signals (output signals)

9.1. Signals via Profinet

Feedback signals via Profinet can be configured using the engineering tool of the DCS/PLC and the GSD file of actuator controls with Profinet (available for download at www.auma.com).

Refer to Manual Device integration Profinet for information on control commands and feedback signals via Profinet.

9.2. Status signals via output contacts (digital outputs)

- Conditions** Output contacts are only available if a parallel interface is provided in addition to the fieldbus interface.
- Characteristics** Output contacts are used to send status signals (e.g. reaching the end positions, selector switch position, faults...) as binary signals to the control room.
- Status signals only have two states: active or inactive. Active means that the conditions for the signal are fulfilled.

9.2.1. Assignment of outputs

The output contacts (outputs DOUT 1 – 6) can be assigned to various signals.

Required user level: **Specialist (4)** or higher.

- M ▷ **Device configuration M0053**
I/O interface M0139
Digital outputs M0110
Signal DOUT 1 M0109

Default values:

- Signal DOUT 1 = **Fault**
Signal DOUT 2 = **End position CLOSED**
Signal DOUT 3 = **End position OPEN**
Signal DOUT 4 = **Selector sw. REMOTE**
Signal DOUT 5 = **Torque fault CLOSE**
Signal DOUT 6 = **Torque fault OPEN**

9.2.2. Coding the outputs

The output signals **Coding DOUT 1 – Coding DOUT 6** can be set either to high active or low active.

- High active = output contact closed = signal active
- Low active = output contact open = signal active

Signal active means that the conditions for the signal are fulfilled.

Required user level: **Specialist (4)** or higher.

- M ▷ **Device configuration M0053**
I/O interface M0139
Digital outputs M0110
Coding DOUT 1 M0102

Default values:

- Coding DOUT 1 = **Low active**
Coding DOUT 2–Coding DOUT 6 = **High active**

9.3. Analogue signals (analogue outputs)

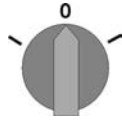
Requirements Analogue signals are only available if the following conditions are met:

- Actuator controls are equipped with additional control inputs.
- The actuator is equipped with a position transmitter (potentiometer, RWG or EWG).

Valve position Signal: E2 = 0/4 – 20 mA (galvanically isolated)
 Designation in the wiring diagram: AOUT1 (position)
 For further information on this topic, please refer to Manual (Operation and setting).

10. Commissioning (basic settings)

1. Set selector switch to position **0** (OFF).



Information: The selector switch is not a mains switch. When positioned to **0** (OFF), the actuator cannot be operated. The controls' power supply is maintained.

2. Switch on the power supply.

Information: Observe heat-up time for ambient temperatures below -30 °C .

3. Perform basic settings.

10.1. End stops in part-turn actuator



The following description applies for clockwise closing standard version.

Separate instructions are available for counterclockwise special version.

The internal end stops limit the swing angle. They protect the valve in case of limit switching failure during motor operation and serve the purpose as limitation for manual operation via handwheel. They may not be used for torque tripping in end positions during standard operation.

End stop setting is generally performed by the valve manufacturer **prior** to installing the valve into the pipework.



Exposed, rotating parts (discs/balls) at the valve!

Pinching and damage by valve or actuator.

- End stops should be set by suitably qualified personnel only.
- Never completely remove the setting screws [2] and [4] to avoid grease leakage.
- Observe dimension T_{\min} .

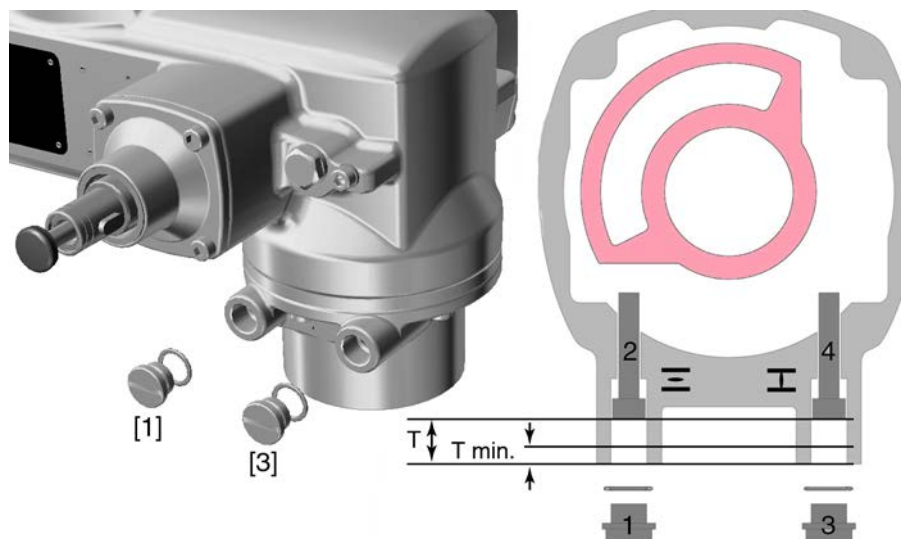
Information

- The swing angle set in the factory is indicated on the name plate:
Figure 58: Example: Swing angle on name plate



- The setting sequence depends on the valve:
 - Recommendation for **butterfly valves**: Set end stop CLOSED first.
 - Recommendation for **ball valves**: Set end stop OPEN first.

Figure 59: End stop



- [1] Screw plug for end stop OPEN
- [2] Setting screw for end stop OPEN
- [3] Screw plug for end stop CLOSED
- [4] Setting screw for end stop CLOSED

Dimensions/sizes	05.2	07.2	10.2	12.2	14.2
T (for 90°)	17	17	20	23	23
T _{min.}	11	11	12	13	12

10.1.1. Set end stop CLOSED

1. Remove screw plug [3].
2. Move valve to end position CLOSED with handwheel.
3. If the valve end position is not reached:
 - Slightly turn setting screw [4] counterclockwise until valve end position CLOSED can be safely set.
 - ➔ Turning the setting screw [4] clockwise results in a smaller swing angle.
 - ➔ Turning the setting screw [4] counterclockwise results in a larger swing angle.



4. Turn setting screw [4] clockwise to the stop.
 - ➔ This completes the setting of end stop CLOSED.
5. Check O-ring of screw plug for seat and condition, replace if damaged.
6. Fasten and tighten screw plug [1].

Having completed this procedure, the end position detection CLOSED can be set immediately.

10.1.2. Set end stop OPEN

Information In general, the end stop OPEN does not have to be set.

1. Remove screw plug [1].
2. Move valve to end position OPEN with handwheel.

3. If the valve end position is not reached:
 - Slightly turn setting screw [2] counterclockwise until valve end position OPEN can be safely set.
 - ➔ Turning the setting screw [2] clockwise results in a smaller swing angle.
 - ➔ Turning the setting screw [2] counterclockwise results in a larger swing angle.



4. Turn setting screw [2] clockwise to the stop.
 - ➔ This completes the setting of end stop OPEN.
 5. Check O-ring of screw plug for seat and condition, replace if damaged.
 6. Fasten and tighten screw plug [1].
- Having completed this procedure, the end position detection OPEN can be set immediately.

10.2. Type of seating: set

NOTICE

Valve damage due to incorrect setting!

- The type of seating setting (limit or torque seating) must match the selection for the valve.
- Only change the setting with prior consent of the valve manufacturer.

- M ▶ **Customer settings M0041**
 Type of seating M0012
 End position CLOSED M0086
 End position OPEN M0087

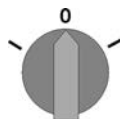
Default value: Limit

Setting values:

- Limit** Seating in end positions via limit switching.
Torque Seating in end positions via torque switching.

Select main menu

1. Set selector switch to position **0** (OFF).



2. Press push button **C Setup** and hold it down for approx. 3 seconds.
 - ➔ Display goes to main menu and indicates: ▶ **Display**

Select parameter

3. Select parameter either:
 - click via the menu M ▶ to parameter, or
 - via direct display: Press ▲ and enter ID **M0086** or **M0087**
 - ➔ Display indicates: **End position CLOSED**

CLOSE or OPEN

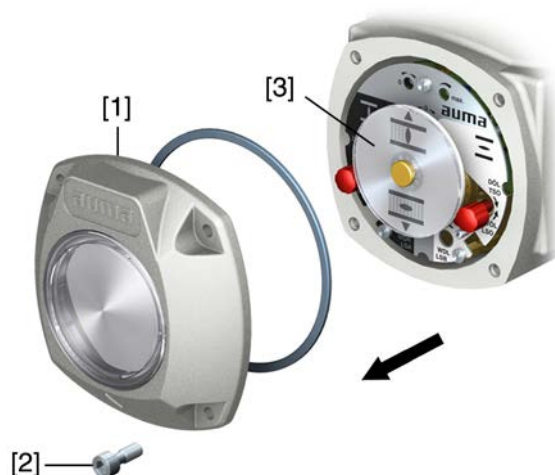
4. Use ▲▼ **Up ▲ Down ▼** to select:
 - ▶ **End position CLOSED**
 - ▶ **End position OPEN**
 - ➔ The black triangle ▶ indicates the current selection.

5. Press **↵** **OK**.
 - ➔ Display indicates the current setting: **Limit** or **Torque**
 - ➔ The bottom row of the display indicates either:
 - **Edit** → continue with step 6
 - **Save** → continue with step 10
6. Press **↵** **Edit**.
 - ➔ Display indicates: ▶ **Specialist (4)**
- User login** 7. Use **▲▼** **Up ▲** **Down ▼** to select user:
 - ➔ **Information:** Required user level: **Specialist (4)** or higher
 - ➔ The symbols have the following meaning:
 - black triangle: ▶ = current setting
 - white triangle: ▷ = selection (not saved yet)
8. Press **↵** **OK**.
 - ➔ Display indicates: **Password 0*****
9. Enter password (→ enter password).
 - ➔ The screen indicates the pre-set type of seating (▶ **Limit** or ▶ **Torque**) by means of a black triangle ▶.
- Change settings** 10. Use **▲▼** **Up ▲** **Down ▼** to select new setting.
 - ➔ The symbols have the following meaning:
 - black triangle: ▶ = current setting
 - white triangle: ▷ = selection (not saved yet)
11. Confirm selection via **↵** **Save**.
 - ➔ The setting for the type of seating is complete.
12. Back to step 4 (CLOSED or OPEN): Press **↵** **Esc**.

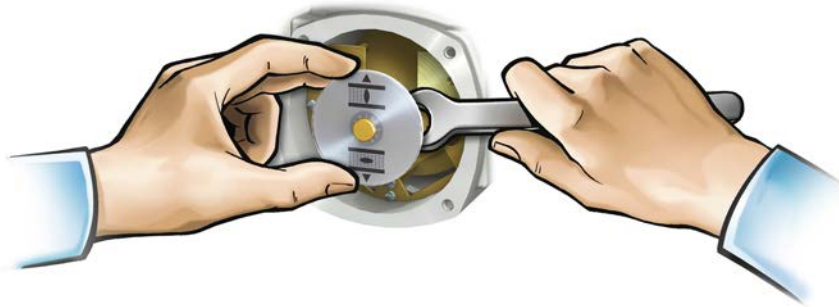
10.3. Open switch compartment

The switch compartment must be opened to perform the following settings.

1. Loosen screws [2] and remove cover [1] from the switch compartment.



2. If indicator disc [3] is available:
Remove indicator disc [3] using a spanner (as lever).
Information: To avoid damage to paint finish, use spanner in combination with soft object, e.g. fabric.



10.4. Torque switching: set

Once the set torque is reached, the torque switches will be tripped (overload protection of the valve).

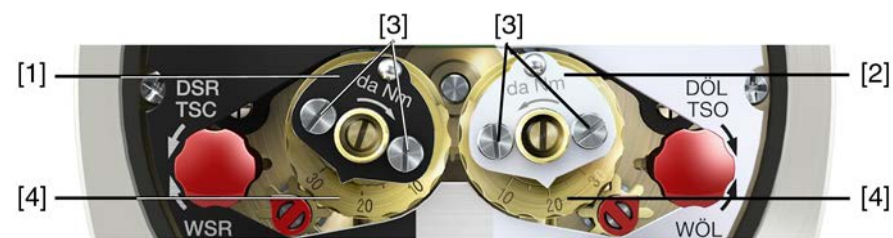
Information The torque switches may also trip during manual operation.

NOTICE

Valve damage due to excessive tripping torque limit setting!

- The tripping torque must suit the valve.
- Only change the setting with the consent of the valve manufacturer.

Figure 60: Torque measuring heads



- [1] Torque switching head black in direction CLOSE
- [2] Torque switching head white in direction OPEN
- [3] Lock screws
- [4] Torque dials

1. Loosen both lock screws [3] at the indicator disc.
 2. Turn torque dial [4] to set the required torque (1 da Nm = 10 Nm). Example:
 - Black torque switching head set to approx. 25 da Nm $\hat{=}$ 250 Nm for direction CLOSE
 - White torque switching head set to approx. 20 da Nm $\hat{=}$ 200 Nm for direction OPEN
 3. Fasten lock screws [3] again.
Information: Maximum tightening torque: 0.3 – 0.4 Nm
- ➔ The torque switch setting is complete.

10.5. Limit switching: set

The limit switching records the travel. When reaching the preset position, switches are operated.

Figure 61: Setting elements for limit switching



Black section:

- [1] Setting spindle: End position CLOSED
- [2] Pointer: End position CLOSED
- [3] Mark: End position CLOSED is set

White section:

- [4] Setting spindle: End position OPEN
- [5] Pointer: End position OPEN
- [6] Mark: End position OPEN is set

10.5.1. End position CLOSED (black section): set

1. Engage manual operation.
2. Turn handwheel clockwise until valve is closed.
3. **Press down** and turn setting spindle [1] with screw driver in direction of the arrow and observe the pointer [2]: While a ratchet click is felt and heard, the pointer [2] moves 90° every time.
4. As soon as the pointer [2] is 90° from mark [3]: Continue turning slowly.
5. As soon as the pointer [2] moves to mark [3]: Stop turning and release setting spindle.
- ➔ The end position CLOSED setting is complete.
6. If you override the tripping point inadvertently (ratchet click is heard after the pointer has snapped): Continue turning the setting spindle in the same direction and repeat setting process.

10.5.2. End position OPEN (white section): set

1. Engage manual operation.
2. Turn handwheel counterclockwise until valve is open.
3. **Press down** and turn setting spindle [4] with screw driver in direction of the arrow and observe the pointer [5]: While a ratchet click is felt and heard, the pointer [5] moves 90° every time.
4. As soon as the pointer [5] is 90° from mark [6]: Continue turning slowly.
5. As soon as the pointer [5] moves to mark [6]: Stop turning and release setting spindle.
- ➔ The end position OPEN setting is complete.
6. If you override the tripping point inadvertently (ratchet click is heard after the pointer has snapped): Continue turning the setting spindle in the same direction and repeat setting process.

10.6. Intermediate positions: set

Actuators equipped with DUO limit switching contain two intermediate position switches. One intermediate position may be set for each running direction.

Figure 62: Setting elements for limit switching

**Black section:**

- [1] Setting spindle: Running direction CLOSE
- [2] Pointer: Running direction CLOSE
- [3] Mark: Intermediate position CLOSED is set

White section:

- [4] Setting spindle: Running direction OPEN
- [5] Pointer: Running direction OPEN
- [6] Mark: Intermediate position OPEN is set

10.6.1. Running direction CLOSE (black section): set

1. Move valve in direction CLOSE to desired intermediate position.
2. If you override the tripping point inadvertently: Turn valve into the opposite direction and approach intermediate position again in direction CLOSE.
Information: Always approach the intermediate position in the same direction as in later electrical operation.
3. **Press down** and turn setting spindle [1] with screw driver in direction of the arrow and observe the pointer [2]: While a ratchet click is felt and heard, the pointer [2] moves 90° every time.
4. As soon as the pointer [2] is 90° from mark [3]: Continue turning slowly.
5. As soon as the pointer [2] moves to mark [3]: Stop turning and release setting spindle.
- ➔ The intermediate position setting in running direction CLOSE is complete.
6. If you override the tripping point inadvertently (ratchet click is heard after the pointer has snapped): Continue turning the setting spindle in the same direction and repeat setting process.

10.6.2. Running direction OPEN (white section): set

1. Move valve in direction OPEN to desired intermediate position.
2. If you override the tripping point inadvertently: Move valve in opposite direction and approach intermediate position again in direction OPEN (always approach the intermediate position in the same direction as in later electrical operation).
3. **Press down** and turn setting spindle [4] with screw driver in direction of the arrow and observe the pointer [5]: While a ratchet click is felt and heard, the pointer [5] moves 90° every time.
4. As soon as the pointer [5] is 90° from mark [6]: Continue turning slowly.

5. As soon as the pointer [5] moves to mark [6]: Stop turning and release setting spindle.
➔ The intermediate position setting in running direction OPEN is complete.
6. If you override the tripping point inadvertently (ratchet click is heard after the pointer has snapped): Continue turning the setting spindle in the same direction and repeat setting process.

10.7. Test run

Only perform test run only once all settings previously described have been performed.

10.7.1. Direction of rotation at mechanical position indicator: check

NOTICE

Valve damage due to incorrect direction of rotation!

- If the direction of rotation is wrong, switch off immediately (press STOP).
- Eliminate cause, i.e. correct phase sequence for cable set wall bracket.
- Repeat test run.

Information

Switch off before reaching the end position.

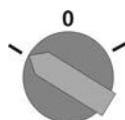
1. Move actuator manually to intermediate position or to sufficient distance from end position.
2. Switch on actuator in direction CLOSE and observe the direction of rotation on the mechanical position indication:
 - **For mechanical position indication via indicator mark:** (not self-adjusting)
 - ➔ The direction of rotation is correct if the actuator operation in direction **CLOSE** and the symbols ($\overline{\ominus}/\overline{\text{T}}$) turn **counterclockwise**:

Figure 63: Direction of rotation $\overline{\ominus}/\overline{\text{T}}$ (for "clockwise closing version")



10.7.2. Limit switching: check

1. Set selector switch to position **Local control** (LOCAL).



2. Operate actuator using push buttons OPEN, STOP, CLOSE.
 - The limit switching is set correctly if (default indication):
 - the yellow indication light/LED1 is illuminated in end position CLOSED
 - the green indication light/LED5 is illuminated in end position OPEN
 - the indication lights go out after travelling into opposite direction.
 - The limit switching is set incorrectly if:
 - the actuator comes to a standstill before reaching the end position
 - one of the red indication lights/LEDs is illuminated (torque fault)
 - the status indication **S0007** in the display signals a fault.
3. If the end position setting is incorrect: Reset limit switching.


10.7.3. Reference operation position feedback: perform

For actuators with position feedback (RWG, potentiometer), a reference operation has to be performed once the limit switching setting was changed to ensure that the position feedback (0/4 – 20 mA) supplies correct values:


- Operate actuator electrically (via the push buttons OPEN and CLOSE of the local controls) once to end position OPEN and once to end position CLOSED.

10.8. Mechanical position indicator: set

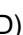
- ✓ If options (e.g. potentiometer, position transmitter) are available: Only set mechanical position indication once all optional equipment have been successfully set.

1. Fit indicator disc onto shaft.
2. Move valve to end position CLOSED.
3. Turn lower indicator disc until symbol  (CLOSED) is in alignment with the ▲ mark on the cover.



4. Move actuator to end position OPEN.
5. Hold lower indicator disc in position and turn upper disc with symbol  (OPEN) until it is in alignment with the ▲ mark on the cover.



6. Move valve to end position CLOSED again.
7. Check settings:
 - If the symbol  (CLOSED) is no longer in alignment with ▲ mark on the cover:
 - Repeat setting procedure.

10.9. Close switch compartment

- ✓ If options (e.g. potentiometer, position transmitter) are available: Only close switch compartment once all optional equipment has been successfully set.

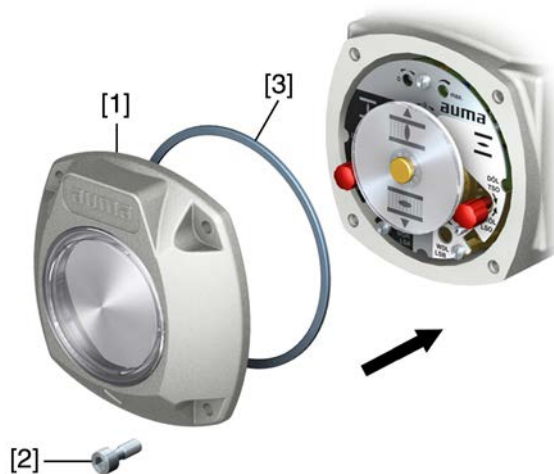
NOTICE

Corrosion due to damage to paint finish

→ Touch up damage to paint finish after work on the device.

1. Clean sealing faces of housing and cover.
2. Check whether O-ring [3] is in good condition, replace if damaged.
3. Apply a thin film of non-acidic grease (e.g. petroleum jelly) to the O-ring and insert it correctly.

Figure 64:



4. Place cover [1] on switch compartment.
5. Fasten screws [2] evenly crosswise.

11. Commissioning (optional equipment settings)

11.1. EWG 01.1 electronic position transmitter

EWG 01.1 electronic position transmitter signals the remote position or the valve position. On the basis of the actual valve position sensed by hall sensor, a current signal between 0 – 20 mA or 4 – 20 mA is generated.

Technical data

Table 29: EWG 01.1

Data	3-wire and 4-wire systems	2-wire system
Output current I_a	0 – 20 mA, 4 – 20 mA	4 – 20 mA
Power supply U_V ¹⁾	24 V DC (18 – 32 V)	24 V DC (18 – 32 V)
Max. current consumption	LED off = 26 mA, LED on = 27 mA	20 mA
Max. load R_B	600 Ω	$(U_V - 12 V)/20 \text{ mA}$
Impact of power supply		0.1 %
Load influence		0.1 %
Temperature impact		< 0.1 %/K
Ambient temperature ²⁾		-60 °C to +80 °C

- 1) Power supply possible via: AC, AM actuator controls or external power supply
- 2) Depending on temperature range of the actuator: Refer to name plate

Setting elements

The EWG is housed in the actuator switch compartment. The switch compartment must be opened to perform any settings. Refer to <Switch compartment: open>.

All settings are made via the two push buttons [S1] and [S2].

Figure 65: View on control unit when switch compartment is open



[S1] Push button: Set 0/4 mA

[S2] Push button: Set 20 mA

LED Optical aid for setting

[1] Measuring point (+) 0/4 – 20 mA

[2] Measuring point (-) 0/4 – 20 mA

The output current (measuring range 0 – 20 mA) can be checked at measuring points [1] and [2].

Table 30:

Short overview on push button functions	
Push buttons	Function
[S1] + [S2]	→ press simultaneously for 5 s: Activate setting mode
[S1]	→ press in setting mode for 3 s: Set 4 mA → press in setting mode for 6 s: Set 0 mA (only possible for 3-/4-wire version) → press in operation for 3 s: Switch on/off LED end position signalling. → touch in end position: Reduce current value by 0.02 mA
[S2]	→ press in setting mode for 3 s: Set 20 mA → press in operation for 3 s: Switch on/off LED end position signalling. → touch in end position: Increase current value by 0.02 mA

11.1.1. Measuring range: set

For measuring range setting, voltage must be applied at the position transmitter.

For output current verification, connect a test device for 0 – 20 mA to measurement points (+/-) (for 2-wire systems, connecting a test device is imperatively required).

Information

- Both measuring ranges 0/4 – 20 mA and 20 – 0/4 mA (inverse operation) can be set.
During setting process, the measuring range (normal or inverse operation) is assigned to the end positions by push button S1/S2 assignment.
- For 2-wire systems, switch off <LED end position signalling> prior to setting the measuring range.
- Setting mode activation clears the settings in both end positions and sets the output current to a value of 3.5 mA. After activation, both end values (0/4 mA and 20 mA) need to be reset.
- In case of inadvertent incorrect adjustment, the settings can always be reset by renewed activation of the setting mode (simultaneous pressing of [S1] and [S2]).

Activate setting mode

1. Press both push buttons [S1] and [S2] and hold down for 5 seconds:






- ➔ By pulsing double flashes, the LED indicates that the setting mode is correctly activated:



- ➔ For any other LED flash sequence (single/triple flashing): Refer to <Faults during commissioning>.

Set measuring range

2. Operate valve in one of the end positions (OPEN/CLOSED).
3. Set desired output current (0/4 mA or 20 mA):
 - for **4 mA**: Hold down push button [S1] for approx. 3 seconds, until **LED is blinking slowly** .
 - for **0 mA**: Hold down push button [S1] for approx. 6 seconds (only possible for 3-/4-wire version) until **LED is blinking fast** .
 - for **20 mA**: Hold down push button [S2] for approx. 3 seconds, until **LED is illuminated** .

Information: For 2-wire systems read current values at test device.

4. Operate valve into opposite end position.
- ➔ The value set in end position (0/4 mA or 20 mA) does not change during travel in setting mode.

5. Perform setting in the second end position following the same steps.
6. Approach both end positions again to check the setting.
 - If the measuring range cannot be set:
Refer to <Faults during commissioning>.
 - If the current values (0/4/20 mA) are incorrect:
Refer to <Current values: adjust>.
 - If the current value fluctuates (e.g. Between 4.0 – 4.2 mA):
Switch off LED end position signalling.
Refer to <LED end position signalling: switch on/off>.

11.1.2. Current values : adjust

The current values (0/4/20 mA) set in end positions can be adjusted at any time. Common values are e.g. 0.1 mA (instead of 0 mA) or 4.1 mA (instead 4 mA).

Information If the current value fluctuates (e.g. between 4.0 – 4.2mA), the <LED end position signalling> must be switched off for current adjustment.




- Operate valve in desired end position (OPEN/CLOSED).
 - Reduce current value: Press push button [S1]
(the current is reduced by 0.02 mA every time the push button is pressed)
 - Increase current value: Press push button [S2]
(the current is increased by 0.02 mA every time the push button is pressed)

11.1.3. LED end position signalling: switch on/off

The LED behaviour for end position reached can be set as follows: blinking/continuous illumination or no illumination. During setting mode, end position signalling is switched on.

- Switching on and off**
1. Operate valve in one of the end positions (OPEN/CLOSED).
 2. Hold down push buttons [S1] or [S2] for approx. 3 seconds.
- ➡ End position signalling is switched on or off.

Table 31:

LED behaviour when end position signalling is switched on	
Set output current	LED behaviour in end position
4 mA	 LED is blinking slowly
0 mA	 LED is blinking fast
20 mA	 LED is illuminated

11.2. Potentiometer

The potentiometer is used as travel sensor and records the valve position.

Setting elements The potentiometer is housed in the actuator switch compartment. The switch compartment must be opened to perform any settings. Refer to <Switch compartment: open>.

Setting is made via potentiometer [1].

Figure 66: View on control unit



[1] Potentiometer

11.2.1. Potentiometer: set

Information Due to the ratio of the reduction gearing, the complete resistance range/stroke is not always covered. Therefore, external adjustment (setting potentiometer) must be provided.

1. Move valve to end position CLOSED.
2. Turn potentiometer [1] clockwise to the stop.
 - ➔ End position CLOSED corresponds to 0 %
 - ➔ End position OPEN corresponds to 100 %
3. Turn potentiometer [1] slightly in opposite direction.
4. Perform fine-tuning of the zero point at external setting potentiometer (for remote indication).

11.3. RWG electronic position transmitter

The RWG electronic position transmitter records the valve position. On the basis of the actual position value measured by the potentiometer (travel sensor), it generates a current signal between 0 – 20 mA or 4 – 20 mA.

Technical data

Table 32: RWG 4020

Data	3-wire and 4-wire systems	2-wire system
Output current I_a	0 – 20 mA, 4 – 20 mA	4 – 20 mA
Power supply U_V ¹⁾	24 V DC (18 – 32 V)	14 V DC + $(I \times R_B)$, max. 30 V
Max. current consumption	24 mA at 20 mA output current	20 mA
Max. load R_B	600 Ω	$(U_V - 14 V)/20 \text{ mA}$
Impact of power supply	0.1 %/V	0.1 %/V
Load influence	0.1 %/(0 – 600 Ω)	0.1 %/100 Ω
Temperature impact		< 0.3 %/K
Ambient temperature ²⁾		–60 °C to +80 °C
Transmitter potentiometer		5 k Ω

- 1) Power supply possible via: AC, AM actuator controls or external power supply
- 2) Depending on temperature range of the actuator: Refer to name plate

Setting elements

The RWG is housed in the actuator switch compartment. The switch compartment must be opened to perform any settings. Refer to <Switch compartment: open>.

Setting is made via three potentiometers [1], [2] and [3].

Figure 67: View on control unit when switch compartment is open



- [1] Potentiometer (travel sensor)
- [2] Potentiometer min. (0/4 mA)
- [3] Potentiometer max. (20 mA)
- [4] Measuring point (+) 0/4 – 20 mA
- [5] Measuring point (–) 0/4 – 20 mA

The output current (measuring range 0 – 20 mA) can be checked at measuring points [4] and [5].

11.3.1. Measuring range: set


For measuring range setting, voltage must be applied at the position transmitter.

1. Move valve to end position CLOSED.
2. Connect ammeter for 0 – 20 mA to measuring points [4 and 5].
3. Turn potentiometer [1] clockwise to the stop.
4. Turn potentiometer [1] slightly in opposite direction.
5. Turn potentiometer [2] clockwise until output current starts to increase.
6. Turn potentiometer [2] in opposite direction until the following value is reached:
 - for 0 – 20 mA approx. 0.1 mA
 - for 4 – 20 mA approx. 4.1 mA
- ➔ This ensures that the signal remains above the dead and live zero point.
7. Move valve to end position OPEN.
8. Set potentiometer [3] to end value 20 mA.
9. Approach end position CLOSED again and check minimum value (0.1 mA or 4.1 mA). If necessary, correct the setting.

12. Corrective action

12.1. Faults during commissioning

Table 33:

Faults during operation/commissioning		
Fault	Description/cause	Remedy
Mechanical position indicator cannot be set.	Reduction gearing is not suitable for actuator swing angle.	Set gear stage of the reduction gearing.
In spite of correct setting of mechanical limit switching, actuator operates into the valve or actuator end position.	The overrun was not considered when setting the limit switching. The overrun is generated by the inertia of both the actuator and the valve and the delay time of the actuator controls.	<ul style="list-style-type: none"> Determine overrun: Overrun = travel covered from switching off until complete standstill. Set limit switching again considering the overrun. (Turn handwheel back by the amount of the overrun)
Measuring range 0/4 – 20 mA or maximum value 20 mA at position transmitter cannot be set or supplies an incorrect value.	Reduction gearing is not suitable for turns/stroke of the actuator.	Set gear stage of the reduction gearing.
The measuring range 0/4 – 20 mA at EWG position transmitter cannot be set.	The LED on the EWG either flashes in setting mode a) single flash or b) triple flash:  a) EWG is not calibrated. b) Magnet positions of EWG are not aligned.	Call service.
Limit and/or torque switches do not trip.	Switch is defective or switch setting is incorrect.	Check setting, if required, reset end positions. Refer to <Check switches> and replace the switches if required.

Switch check

The red test buttons [1] and [2] are used for manual operation of the switches:



- Turn test button [1] in direction of the TSC arrow: Torque switch CLOSED trips.
- Turn test button [2] in direction of the TSO arrow: Torque switch OPEN trips.

If the actuator is equipped with a DUO limit switching (option), the intermediate position switches (LSA and LSB) will be operated at the same time as the torque switches.

- Turn test button [1] in direction of the LSC arrow: Limit switch CLOSED trips.
- Turn test button [2] in direction of the LSO arrow: Limit switch OPEN trips.

12.2. Fault indications and warning indications

Faults interrupt or prevent the electrical actuator operation. In the event of a fault, the display backlight is red.

Warnings have no influence on the electrical actuator operation. They only serve for information purposes. The display remains white.


Collective signals include further indications. They can be displayed via the  **Details** push button. The display remains white.

Table 34:

Faults and warnings via status indications in the display		
Indication on display	Description/cause	Remedy
S0001	Instead of the valve position, a status text is displayed.	For a description of the status texts, refer to Manual (Operation and setting).
S0005 Warnings	Collective signal 02: Indicates the number of active warnings.	For indicated value > 0: Press push button De-tails . For details, refer to <Warnings and Out of specification> table.
S0006 Not ready REMOTE	Collective signal 04: Indicates the number of active signals.	For indicated value > 0: Press push button De-tails . For details, refer to <Not ready REMOTE and Function check> table.
S0007 Fault	Collective signal 03: Indicates the number of active faults. The actuator cannot be operated.	For indicated value > 0: Press push button Details to display a list of detailed indications. For details, refer to <Faults and Failure> table.
S0008 Out of specification	Collective signal 07: Indication according to NAMUR recommendation NE 107 Actuator is operated outside the normal operation conditions.	For indicated value > 0: Press push button De-tails . For details, refer to <Warnings and Out of specification> table.
S0009 Function check	Collective signal 08: Indication according to NAMUR recommendation NE 107 The actuator is being worked on; output signals are temporarily invalid.	For indicated value > 0: Press push button De-tails . For details, refer to <Not ready REMOTE and Function check> table.
S0010 Maintenance required	Collective signal 09: Indication according to NAMUR recommendation NE 107 Recommendation to perform maintenance.	For indicated value > 0: Press push button Details to display a list of detailed indications.
S0011 Failure	Collective signal 10: Indication according to NAMUR recommendation NE 107 Actuator function failure, output signals are invalid	For indicated value > 0: Press push button Details to display a list of detailed indications. For details, refer to <Faults and Failure> table.

Table 35:


Warnings and Out of specification		
Indication on display	Description/cause	Remedy
Config. warning	Collective signal 06: Possible cause: Configuration setting is incorrect. The device can still be operated with restrictions.	Press push button Details to display a list of individual indications. For a description of the individual signals, refer to Manual (Operation and setting).
Internal warning	Collective signal 15: Device warnings The device can still be operated with restrictions.	Press push button Details to display a list of individual indications. For a description of the individual signals, refer to Manual (Operation and setting).
24 V DC external	The external 24 V DC voltage supply of the controls has exceeded the power supply limits.	Check 24 V DC voltage supply.
Wrn op.mode run time	Warning on time max. running time/h exceeded	<ul style="list-style-type: none"> • Check modulating behaviour of actuator. • Check parameter Perm. run time M0356, re-set if required.
Wrn op.mode starts	Warning on time max. number of motor starts (starts) exceeded	<ul style="list-style-type: none"> • Check modulating behaviour of actuator. • Check parameter Permissible starts M0357, re-set if required.
Failure behav. active	The failure behaviour is active since all required setpoints and actual values are incorrect.	Verify signals: <ul style="list-style-type: none"> • Setpoint E1 • Actual value E2 • Actual process value E4 • Check connection to master. • Check (clear) status of master.

Warnings and Out of specification		
Indication on display	Description/cause	Remedy
Wrn input AIN 1	Warning: Loss of signal analogue input 1	Check wiring.
Wrn input AIN 2	Warning: Loss of signal analogue input 2	Check wiring.
Wrn setpoint position	Warning: Loss of signal setpoint position Possible causes: For an adjusted setpoint range of e.g. 4 – 20 mA, the input signal is 0 (signal loss). For a setpoint range of 0 – 20 mA , monitoring is not possible.	Check setpoint signal.
Op. time warning	The set time (parameter Perm.op. time, manual M0570) has been exceeded. The preset operating time is exceeded for a complete travel from end position OPEN to end position CLOSED.	The warning indications are automatically cleared once a new operation command is executed. <ul style="list-style-type: none"> • Check valve. • Check parameter Perm.op. time, manual M0570.
Wrn controls temp.	Temperature within controls housing too high.	Measure/reduce ambient temperature.
Time not set	Real time clock has not yet been set.	Set time.
RTC voltage	Voltage of the RTC button cell is too low.	Replace button cell.
PVST fault	Partial Valve Stroke Test (PVST) could not be successfully completed.	Check actuator (PVST settings).
PVST abort	Partial Valve Stroke Test (PVST) was aborted or could not be started.	Perform RESET or restart PVST.
Wrn no reaction	No actuator reaction to operation commands within the set reaction time.	<ul style="list-style-type: none"> • Check movement at actuator. • Check parameter Reaction time M0634.
Torque wrn OPEN	Limit value for torque warning in direction OPEN exceeded.	Check parameter Wrn torque OPEN M0768 , re-set if required.
Torque wrn CLOSE	Limit value for torque warning in direction CLOSE exceeded.	Check parameter Wrn torque CLOSE M0769 , re-set if required.
SIL fault ¹⁾	SIL sub-assembly fault has occurred.	Refer to separate Manual Functional Safety.
PVST required	Execution of PVST (Partial Valve Stroke Tests) is required.	
Maintenance required	Maintenance is required.	

1) For actuators controls in SIL version

Table 36:

Faults and Failure		
Indication on display	Description/cause	Remedy
Configuration error	Collective signal 11: Configuration error has occurred.	Press push button Details to display a list of individual indications. For a description of the individual signals, refer to Manual (Operation and setting).
Config. error REMOTE	Collective signal 22: Configuration error has occurred.	Press push button Details to display a list of individual indications. For a description of the individual signals, refer to Manual (Operation and setting).
Internal error	Collective signal 14: Internal error has occurred.	AUMA service Press push button Details to display a list of individual indications. For a description of the individual signals, refer to Manual (Operation and setting).
Torque fault CLOSE	Torque fault in direction CLOSE	Perform one of the following measures: <ul style="list-style-type: none"> • Issue operation command in direction OPEN. • Set selector switch to position Local control (LOCAL) and reset fault indication via push button RESET. • Execute reset command via fieldbus.

Faults and Failure		
Indication on display	Description/cause	Remedy
Torque fault OPEN	Torque fault in direction OPEN	Perform one of the following measures: <ul style="list-style-type: none"> Issue operation command in direction CLOSE. Set selector switch to position Local control (LOCAL) and reset fault indication via push button RESET. Execute reset command via fieldbus.
Phase fault	<ul style="list-style-type: none"> When connecting to a 3-ph AC system and with internal 24 V DC supply of the electronics: Phase 2 is missing. When connecting to a 3-ph or 1-ph AC system and with external 24 V DC supply of the electronics: One of the phases L1, L2 or L3 is missing. 	Test/connect phases.
Incorrect phase seq	The phase conductors L1, L2 and L3 are connected in the wrong sequence. Only applicable if connected to a 3-ph AC system.	Correct the sequence of the phase conductors L1, L2 and L3 by exchanging two phases.
Mains quality	Due to insufficient mains quality, the controls cannot detect the phase sequence (sequence of phase conductors L1, L2 and L3) within the pre-set time frame provided for monitoring.	<ul style="list-style-type: none"> Check mains voltage. For 3-phase/1-phase AC current, the permissible variation of the mains voltage is $\pm 10\%$ (option $\pm 30\%$). The permissible variation of the mains voltage is $\pm 5\%$ Check parameter Tripping time M0172, extend time frame if required.
Thermal fault	Motor protection tripped	<ul style="list-style-type: none"> Cool down, wait. If the fault indication display persists after cooling down: <ul style="list-style-type: none"> Set selector switch to position Local control (LOCAL) and reset fault indication via push button RESET. Execute reset command via fieldbus. Check fuses.
Fault no reaction	No actuator reaction to operation commands within the set reaction time.	Check movement at actuator.
Poti Out of Range	Potentiometer is outside the permissible range.	Check device configuration: Parameter Low limit Usan M0832 must be less than parameter Volt.level diff. potent. M0833 .
LPV not ready ¹⁾	LPV: Lift Plug Valve function The master actuator signals a fault	
Wrn input AIN 1	Loss of signal analogue input 1	Check wiring.
Wrn input AIN 2	Loss of signal analogue input 2	Check wiring.
Incorrect rotary direct.	Contrary to the configured direction of rotation and the active operation command, the motor turns into the wrong direction.	Check operation command control. For 3-phase AC current mains, activate phase monitoring (parameter Adapt rotary dir. M0171). Check device configuration setting (parameter Closing rotation M0176). To delete the fault indication: Disconnect actuator controls from the mains and perform reboot.
FQM collective fault ²⁾	Collective signal 25:	Press push button  Details to display a list of individual indications. For a description of the individual signals, refer to Manual (Operation and setting).

1) For lift plug valve product variant

2) For actuators equipped with fail safe unit

Table 37:

Not ready REMOTE and Function check (collective signal 04)		
Indication on display	Description/cause	Remedy
Wrong oper. cmd	Collective signal 13: Possible causes: <ul style="list-style-type: none"> Several operation commands (e.g. OPEN and CLOSE simultaneously, or OPEN and SET-POINT operation simultaneously) A setpoint is present and the positioner is not active 	<ul style="list-style-type: none"> Check operation commands (reset/clear all operation commands and send one operation command only). Set parameter Positioner to Function active. Check setpoint. Press push button Details to display a list of individual indications. For a description of the individual signals, refer to Manual (Operation and setting).
Sel. sw. not REMOTE	Selector switch is not in position REMOTE.	Set selector switch to position REMOTE.
Service active	Operation via service interface (Bluetooth) and AUMA CDT service software.	Exit service software.
Disabled	Actuator is in operation mode Disabled.	Check setting and status of function <Local controls enable>.
EMCY stop active	The EMERGENCY stop switch has been operated. The motor control power supply (contactors or thyristors) is disconnected.	<ul style="list-style-type: none"> Enable EMERGENCY stop switch. Reset EMERGENCY stop state by means of Reset command.
EMCY behav. active	Operation mode EMERGENCY is active (EMERGENCY signal was sent). 0 V are applied at the EMERGENCY input.	<ul style="list-style-type: none"> Detect cause for EMERGENCY signal. Verify failure source. Apply +24 V DC at EMERGENCY input.
I/O interface	The actuator is controlled via the I/O interface (parallel).	Check I/O interface.
Handwheel active	Manual operation is activated.	Start motor operation.
FailState fieldbus	Fieldbus connection available, however no process data transmission by the master.	Verify master configuration
Local STOP	A local STOP is active. Push button STOP of local controls is operated.	Release push button STOP.
Interlock	An interlock is active.	Check interlock signal.
Interlock by-pass	By-pass function is interlocked.	Check states of main and by-pass valve.
PVST active	Partial Valve Stroke Test (PVST) is active.	Wait until PVST function is complete.
SIL function active ¹⁾	SIL function is active	

1) For actuators controls in SIL version

12.3. Fuses

12.3.1. Fuses within the actuator controls

F1/F2

Table 38:

Primary fuses F1/F2 (for power supply unit)		
G fuse	F1/F2	AUMA art. no.
Size	6.3 x 32 mm	
Reversing contactors Power supply ≤ 500 V	1 A T; 500 V	K002.277
Reversing contactors Power supply > 500 V	2 A FF; 690 V	K002.665
Thyristor units for motor power up to 1.5 kW	1 A T; 500 V	K002.277
Thyristor units for motor power up to 3.0 kW		
Thyristor units for motor power up to 5.5 kW		

F3 Internal 24 V DC supply

Table 39:

Secondary fuses F3 (internal 24 V DC supply)		
G fuse according to IEC 60127-2/III	F3	AUMA art. no.
Size	5 x 20 mm	
Voltage output (power supply unit) = 24 V	2.0 A T; 250 V	K006.106
Voltage output (power supply unit) = 115 V	2.0 A T; 250 V	K006.106

F4

Table 40:

Secondary fuse F4 (internal AC supply)¹⁾		
G-fuse according to IEC 60127-2/III	F4	AUMA art. no.
Size	5 x 20 mm	
Voltage output (power supply unit) = 24 V	1.25 A T; 250 V	K001.184
Voltage output (power supply unit) = 115 V	—	—

1) Fuse for: Switch compartment heater, reversing contactor control, PTC tripping device (at 24 V AC only), at 115 V AC also control inputs OPEN, STOP, CLOSE

F5

Automatic reset fuse as short-circuit protection for external 24 V DC supply for customer (see wiring diagram)

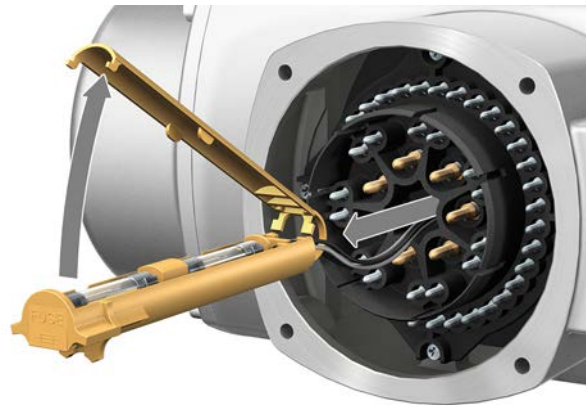
12.3.2. Fuse replacement**12.3.2.1. Replace fuses F1/F2****Electric shock due to presence of hazardous voltage!**

Death or serious injury.

→ Disconnect device from the mains before opening.

1. Remove electrical connection from actuator controls.

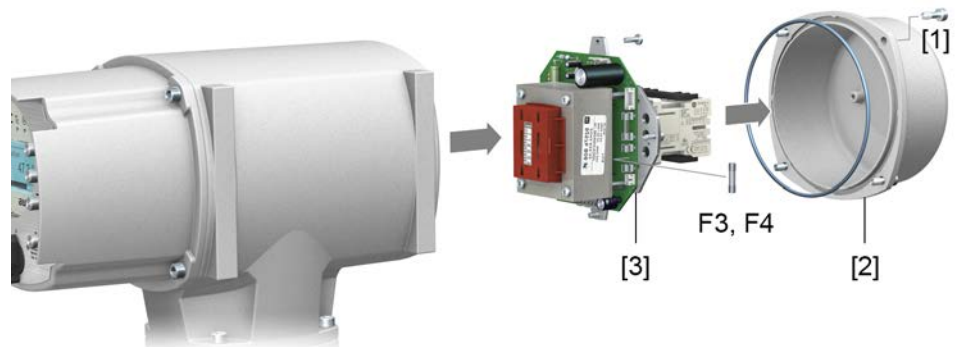
Figure 68:



2. Pull fuse holder out of pin carrier, open fuse cover and replace old fuses by new ones.

12.3.2.2. Test/replace fuses F3/F4

1. Loosen screws [1] and remove cover [2] on the rear of the actuator controls.
 Figure 69:



- Check fuses.**
2. The power supply unit has measuring points (solder pins) allowing to perform a resistance (continuity) measurement:

Table 41:

Checking	Measuring points
F3	MTP5 – MTP6
F4	MTP7 – MTP8

3. To replace defective fuses: Carefully loosen power supply unit [3] and pull out. (The fuses are on the equipped part of the power supply board.)

NOTICE

Cable damage due to pinching!

Risk of functional failures.

→ Carefully assemble power supply unit to avoid pinching the cables.

12.3.3. Motor protection (thermal monitoring)

In order to protect against overheating and impermissibly high surface temperatures at the actuator, PTC thermistors or thermostiches are embedded in the motor winding. Motor protection trips as soon as the max. permissible winding temperature has been reached.

The actuator is switched off and the following signals are given:

- LED 3 (motor protection tripped) on the local controls is illuminated.
- The status indications **S0007** or **S0011 Failure** display a fault.
 The fault **Details** is displayed when selecting **Thermal fault**.

The motor has to cool down before operation can be resumed.

Depending on the parameter setting (motor protection behaviour), the fault signal is either automatically reset or the fault signal has to be acknowledged.

The acknowledgement is made:

- in selector switch position **Local control** (LOCAL) via push button **RESET**.
- In selector switch position **Remote control** (REMOTE) with Reset command via fieldbus.

Proof-test motor protection

Correct function of the motor protection can be tested.

Information

For weatherproof actuator controls mounted on wall bracket controlling an explosion-proof actuator, the functionality of the motor protection must be verified at the latest when performing the maintenance (refer to chapter <Servicing and maintenance>).

The test is performed by simulating the motor protection signal via actuator controls local controls:

Required user level: **Specialist (4)** or higher.

M ▶ **Diagnostics M0022**
TMS proof test M1950

- Test procedure:**
1. Set selector switch to position **0** (OFF).
 2. Return to the main menu and select the simulation value in parameter **TMS proof test M1950**: Select **Thermal test**.
 3. Activate motor protection simulation: Press **Ok** push button.
The safety function is correct if no fault signal is displayed.
 4. Reset simulation: Press **Ok** push button or exit the simulation menu and reset the selector switch to its initial position.

13. Servicing and maintenance



Damage caused by inappropriate maintenance!

- Servicing and maintenance must be carried out exclusively by suitably qualified personnel having been authorised by the end user or the contractor of the plant. Therefore, we recommend contacting our service.
- Only perform servicing and maintenance tasks when the device is switched off.

AUMA Service & Support

AUMA offers extensive service such as servicing and maintenance as well as customer product training. For the contact addresses, refer to our website (www.auma.com).

13.1. Preventive measures for servicing and safe operation

The following actions are required to ensure safe device operation:

6 months after commissioning and then once a year

- Carry out visual inspection:
Cable entries, cable glands, blanking plugs, etc. have to be checked for correct fit and sealing. If required, tighten cable glands and blanking plugs with torque in compliance with the manufacturer's specifications.
Check actuator for damage as well as for grease or oil leakage.
- When deployed in areas where dust formation represents a potential explosion hazard, perform visual inspection for deposit of dirt or dust on a regular basis. Clean devices if required.
- Check fastening screws between actuator and gearbox/valve for tightness. If required, fasten screws while applying the tightening torques as indicated in chapter <Assembly>.
- When rarely operated: Perform test run.

For enclosure protection IP68

After submersion:

- Check actuator.
- In case of ingress of water, locate leaks and repair. Dry device correctly and check for proper function.

13.2. Maintenance

Manual operation

During maintenance, the mechanical parts of the handwheel activation, in particular motor coupling and retaining spring, must be checked. Replace the parts in case of visible wear.

Lubrication

- In the factory, the gear housing is filled with grease.
- Additional lubrication of the gear housing is not required during operation.
- Grease change is performed during maintenance
 - Generally after 4 to 6 years for modulating duty.
 - Generally after 6 to 8 years if operated frequently (open-close duty).
 - Generally after 10 to 12 years if operated infrequently (open-close duty).
- We recommend replacing the seals when changing the grease.

13.3. Disposal and recycling

Our devices have a long lifetime. However, they have to be replaced at one point in time. The devices have a modular design and may, therefore, easily be separated and sorted according to materials used, i.e.:

- Electronic scrap
- Various metals

- Plastic materials
- Greases and oils

The following generally applies:

- Greases and oils are hazardous to water and must not be released into the environment.
- Arrange for controlled waste disposal of the disassembled material or for separate recycling according to materials.
- Observe the national regulations for waste disposal.

14. Technical data

Information The following tables include standard and optional features. For detailed information on the customer-specific version, refer to the order-related data sheet. The technical data sheet can be downloaded from the Internet in both German and English at <http://www.auma.com> (please state the order number).

14.1. Technical data Part-turn actuator

Features and functions	
Type of duty (Part-turn actuators for open-close duty)	with 3-phase AC motor: Short-time duty S2 - 15 min, classes A and B according to EN 15714-2 with 1-phase AC motor: Short-time duty S2 - 10 min, classes A and B according to EN 15714-2 For nominal voltage, +40 °C ambient temperature and at load with 35 % of the max. torque
Type of duty (Part-turn actuators for modulating duty)	Standard: with 3-phase AC motor: Intermittent duty S4 - 25 %, class C according to EN 15714-2 with 1-phase AC motor: Intermittent duty S4 - 20%, class C according to EN 15714-2 Option: With 3-phase AC motor: Intermittent duty S4 - 50 %, class C according to EN 15714-2 For nominal voltage, +40 °C ambient temperature and at modulating torque load.
Motors	Standard: 3-phase AC asynchronous motor, type IM B9 according to IEC 60034-7, IC410 cooling procedure according to IEC 60034-6 Option: 1-phase AC motor with integral permanent split capacitor (PSC), type IM B9 according to IEC 60034-7, IC410 cooling procedure according to IEC 60034-6
Mains voltage, mains frequency	Refer to motor name plate Permissible variation of mains voltage: ±10 % Permissible variation of mains frequency: ±5 %
Overvoltage category	Category III according to IEC 60364-4-443
Insulation class	Standard: F, tropicalized Option: H, tropicalized
Motor protection	Standard: Thermostats (NC) Option: PTC thermistors (according to DIN 44082)
Motor heater (option)	Voltages: 110 – 120 V AC, 220 – 240 V AC or 380 – 480 V AC for 3-phase AC motors Power: 12.5 W
Swing angle	Standard: Adjustable between 75° and < 105° Option: 15° to < 45°, 45° to < 75°, 105° to < 135°, 135° to < 165°, 165° to < 195°, 195° to < 225°
Self-locking	Yes (Part-turn actuators are self-locking if the valve position cannot be changed from standstill while torque acts upon the output drive.)
Manual operation	Manual drive for setting and emergency operation, handwheel does not rotate during electrical operation. Option: Handwheel lockable Handwheel stem extension Power tool for emergency operation with square 30 mm or 50 mm
Indication for manual operation (option)	Indication whether manual operation is active/not active via single switch (1 change-over contact)
Splined coupling for connection to the valve shaft	Standard: Coupling without bore Options: Machined coupling with bore and keyway, square bore or bore with two-flats according to EN ISO 5211
Valve attachment	Dimensions according to EN ISO 5211 without spigot

With base and lever (option)	
Swing lever	Made of spheroidal cast iron with two or three bores for fixing a lever arrangement. Considering the installation conditions, the lever may be mounted to the output shaft in any desired position.
Ball joints (option)	Two ball joints matching the lever, including lock nuts and two welding nuts, suitable for pipe according to dimension sheet
Fixing	Base with four holes for fastening screws

Electromechanical control unit	
Limit switching	Counter gear mechanism for end positions OPEN and CLOSED Turns per stroke: 1 to 500 (standard) or 1 to 5,000 (option)
	Standard: Single switch (1 NC and 1 NO) for each end position, not galvanically isolated
	Options: Tandem switch (2 NC and 2 NO) for each end position, switches galvanically isolated Triple switch (3 NC and 3 NO) for each end position, switches galvanically isolated Intermediate position switches (DUO limit switching), adjustable for each direction of operation
Torque switching	Torque switching adjustable for directions OPEN and CLOSE
	Standard: Single switch (1 NC and 1 NO) for each direction, not galvanically isolated
	Option: Tandem switch (2 NC and 2 NO) for each direction, switches galvanically isolated
Switch contact materials	Standard: Silver (Ag)
	Option: Gold (Au), recommended for low voltage actuator controls
Position feedback signal, analogue (options)	Potentiometer or 0/4 – 20 mA (electronic position transmitter)
Mechanical position indicator	Continuous indication, adjustable indicator disc with symbols OPEN and CLOSED
Running indication	Blinker transmitter (optional for modulating actuators)
Heater in switch compartment	Standard: Self-regulating PTC heater, 5 – 20 W, 110 – 250 V AC/DC
	Options: 24 – 48 V AC/DC (for actuators with 3-phase AC/1-phase AC/DC motors) or 380 – 400 V AC (for actuators with 3-phase AC motors)
	A resistance type heater of 5 W, 24 V AC is installed in the actuator in combination with AM or AC actuator controls. A resistance type heater of 5 W, 24 V AC is installed in the actuator in combination with AC actuator controls.

Service conditions	
Use	Indoor and outdoor use permissible
Mounting position	Any position
Installation altitude	≤ 2,000 m above sea level > 2,000 m above sea level on request
Ambient temperature	Refer to actuator name plate
Humidity	Up to 100 % relative humidity across the entire permissible temperature range
Enclosure protection according to EN 60529	Standard: IP68 with AUMA 3-phase AC motor/1-phase AC motor For special motors differing enclosure protection available (refer to motor name plate)
	Option: Terminal compartment additionally sealed against interior of actuator (double sealed)
	According to AUMA definition, enclosure protection IP68 meets the following requirements: <ul style="list-style-type: none"> • Depth of water: maximum 8 m head of water • Duration of continuous immersion in water: Max. 96 hours • Up to 10 operations during immersion • Modulating duty is not possible during immersion For exact version, refer to actuator controls name plate.
Pollution degree according to IEC 60664-1	Pollution degree 4 (when closed), pollution degree 2 (internal)
Vibration resistance according to IEC 60068-2-6	2 g, 10 to 200 Hz (AUMA NORM), 1 g, 10 to 200 Hz (for actuators with AM or AC integral controls) Resistant to vibration during start-up or for failures of the plant. However, a fatigue strength may not be derived from this. Valid for part-turn actuators in version AUMA NORM and in version with integral actuator controls, each with AUMA plug/socket connector. Not valid in combination with gearboxes.

Service conditions	
Corrosion protection	Standard: KS: Suitable for use in areas with high salinity, almost permanent condensation, and high pollution.
	Option: KX: Suitable for use in areas with extremely high salinity, permanent condensation, and high pollution.
	KX-G: Same as KX, however aluminium-free version (outer parts)
Coating	Double layer powder coating Two-component iron-mica combination
Colour	Standard: AUMA silver-grey (similar to RAL 7037)
	Option: Available colours on request
Lifetime	AUMA part-turn actuators meet or even exceed the lifetime requirements of EN 15714-2. Detailed information can be provided on request.

Further information	
EU Directives	Machinery Directive 2006/42/EC Low Voltage Directive 2014/35/EU EMC Directive 2014/30/EU RoHS Directive 2011/65/EU RED Directive 2014/53/EU

Technical data for limit and torque switches	
Mechanical lifetime	2 x 10 ⁶ starts
Silver plated contacts:	
U min.	24 V AC/DC
U max.	250 V AC/DC
I min.	20 mA
I max. AC current	5 A at 250 V (resistive load) 3 A at 250 V (inductive load, cos phi = 0.6)
I max. DC current	0.4 A at 250 V (resistive load) 0.03 A at 250 V (inductive load, L/R = 3 µs) 5 A at 30 V (resistive load) 5 A at 30 V (inductive load, L/R = 3 µs)
Gold plated contacts	
U min.	5 V
U max.	50 V
I min.	4 mA
I max.	400 mA

Technical data for blinker transmitter	
Mechanical lifetime	10 ⁷ starts
Silver plated contacts:	
U min.	10 V AC/DC
U max.	250 V AC/DC
I max. AC current	3 A at 250 V (resistive load) 2 A at 250 V (inductive load, cos phi ≈ 0.8)
I max. DC current	0.25 A at 250 V (resistive load)

Technical data for handwheel activation switches	
Mechanical lifetime	10 ⁶ starts
Silver plated contacts:	
U min.	12 V DC
U max.	250 V AC
I max. AC current	3 A at 250 V (inductive load, cos phi = 0.8)
I max. DC current	3 A at 12 V (resistive load)

14.2. Technical data Actuator controls

Features and functions	
Power supply	Refer to name plate Permissible variation of mains voltage: ±10 % Permissible variation of mains voltage: ±30 % (option) Permissible variation of mains frequency: ±5 %
External supply of the electronics (option)	24 V DC: +20 %/-15 % Current consumption: Basic version approx. 250 mA, with options up to 500 mA For external electronics supply, the power supply of integral controls must have an enhanced isolation against mains voltage in compliance with IEC 61010-1 and the output power be limited to 150 VA.
Current consumption	Current consumption of the actuator controls depending on mains voltage: For permissible variation of mains voltage of ±10 %: <ul style="list-style-type: none"> • 100 to 120 V AC = max. 740 mA • 208 to 240 V AC = max. 400 mA • 380 to 500 V AC = max. 250 mA • 515 V AC = max. 200 mA
Overvoltage category	Category III according to IEC 60364-4-443
Rated power	The actuator controls are designed for the nominal motor power, refer to motor name plate
Control and feedback signals	Via Profinet interface
Control voltage/current consumption for control inputs	Standard: 24 V DC, current consumption: approx. 10 mA per input Options: 48 V DC, current consumption: approx. 7 mA per input 60 V DC, current consumption: approx. 9 mA per input 100 – 125 V DC, current consumption: approx. 15 mA per input 100 – 120 V AC, current consumption : approx. 15 mA per input All input signals must be supplied with the same potential.
Voltage output	Standard: Auxiliary voltage 24 V DC: max. 100 mA for supply of control inputs, galvanically isolated from internal voltage supply. Option: Auxiliary voltage 115 V AC: max. 30 mA for supply of control inputs, galvanically isolated from internal voltage supply (Not possible in combination with PTC tripping device)
Local controls	Standard: <ul style="list-style-type: none"> • Selector switch: LOCAL - OFF - REMOTE (lockable in all three positions) • Push buttons OPEN, STOP, CLOSE, RESET <ul style="list-style-type: none"> - Local STOP The actuator can be stopped via push button STOP of local controls if the selector switch is in position REMOTE. (Not activated when leaving the factory.) • 6 indication lights: <ul style="list-style-type: none"> - End position and running indication CLOSED (yellow), torque fault CLOSE (red), motor protection tripped (red), torque fault OPEN (red), end position and running indication OPEN (green), Bluetooth (blue) • Graphic LC display: illuminated Option: <ul style="list-style-type: none"> • Special colours for the indication lights: <ul style="list-style-type: none"> - End position CLOSED (green), torque fault CLOSE (blue), torque fault OPEN (yellow), motor protection tripped (violet), end position OPEN (red)
Bluetooth Communication interface	Bluetooth Class II Chip, Version 2.1: With a range up to 10 m in industrial environments supports the SSP Bluetooth profile (Serial Port Profile). Required accessories: <ul style="list-style-type: none"> • AUMA CDT (Commissioning and Diagnostic Tool for Windows-based PC) • AUMA Assistant App (Commissioning and Diagnostic Tool)

Features and functions	
Profinet acyclic services (option)	<p>Access to parameters, the electronic name plate and the operating and diagnostic data with acyclic write/read services</p> <p>Integration in configuration tools and asset management systems via FDI package.</p>
Application functions	<p>Standard:</p> <ul style="list-style-type: none"> • Selectable type of seating, limit or torque seating for end position OPEN and end position CLOSED • Torque by-pass: Adjustable duration (with adjustable peak torque during start-up time) • Start and end of stepping mode as well as ON and OFF times can be set individually for directions OPEN and CLOSE, 1 to 1,800 seconds • Any 8 intermediate positions: can be set between 0 and 100 %, reaction and signal behaviour programmable • Running indication blinking: can be set • Positioner <ul style="list-style-type: none"> - Position setpoint via Profinet interface - Programmable behaviour on loss of signal - Automatic adaptation of dead band (adaptive behaviour selectable) - Split range operation - Change-over between OPEN-CLOSE control and setpoint control possible via Profinet interface <p>Options:</p> <ul style="list-style-type: none"> • PID process controller: with adaptive positioner, via 0/4 – 20 mA analogue inputs for process setpoint and actual process value • Automatic deblocking: Up to 5 operation trials, travel time in opposite direction can be set • Static and dynamic torque recording for both rotation directions with torque measurement flange as additional accessory
Safety functions	<p>Standard:</p> <ul style="list-style-type: none"> • EMERGENCY operation (programmable behaviour) <ul style="list-style-type: none"> - Via additional input (option, low active) or via Profinet interface - Reaction can be selected: Stop, run to end position CLOSED, run to end position OPEN, run to intermediate position - Torque monitoring can be by-passed during EMERGENCY operation - Thermal protection can be by-passed during EMERGENCY operation (only in combination with thermoswitch within actuator, not with PTC thermistor). <p>Options:</p> <ul style="list-style-type: none"> • Release of local controls via Profinet interface. Thus, actuator operation can be enabled or disabled via push buttons on local controls. • Local STOP <ul style="list-style-type: none"> - The actuator can be stopped via push button Stop of local controls if the selector switch is in position REMOTE. (Not activated when leaving the factory.) • Interlock for main/by-pass valve: Enabling the operation commands OPEN or CLOSE via Profinet interface • PVST (Partial Valve Stroke Test): programmable to check the function of both actuator and actuator controls: Direction, stroke, operation time, reversing time
Monitoring functions	<ul style="list-style-type: none"> • Valve overload protection: Adjustable, results in switching off and generates fault signal • Motor temperature monitoring (thermal monitoring): Results in switching off and generates fault signal • Monitoring the heater within actuator: Generates warning signal • Monitoring of permissible on-time and number of starts: Adjustable, generates warning signal • Operating time monitoring: Adjustable, generates warning signal • Phase failure monitoring: Results in switching off and generates fault signal • Automatic correction of rotation direction upon wrong phase sequence (3-ph AC current)
Diagnostic functions	<ul style="list-style-type: none"> • Electronic device ID with order and product data • Operating data logging: A resettable counter and a lifetime counter each for: <ul style="list-style-type: none"> - Motor running time, number of starts, torque switch trippings in end position CLOSED, limit switch trippings in end position CLOSED, torque switch trippings in end position OPEN, limit switch trippings in end position OPEN, torque faults CLOSE, torque faults OPEN, motor protection trippings • Time-stamped event report with history for setting, operation and faults • Status signals according to NAMUR recommendation NE 107: "Failure", "Function check", "Out of specification", "Maintenance required" • Torque characteristics (for version with MWG in actuator): <ul style="list-style-type: none"> - 3 torque characteristics (torque-travel characteristic) for opening and closing directions can be saved separately. - Torque characteristics stored can be shown on the display.

Features and functions		
Motor protection evaluation	Standard:	Monitoring the motor temperature in combination with thermostiches within actuator motor
	Option:	PTC tripping device in combination with PTC thermistors within actuator motor
Electrical connection	Standard:	AUMA plug/socket connector with screw-type connection
	Option:	Gold-plated control plug (sockets and plugs)
Threads for cable entries	Standard:	Metric threads
	Options:	<ul style="list-style-type: none"> • Pg-threads, NPT-threads, G-threads • Terminals or crimp-type connection
Wiring diagram	Refer to name plate	

Settings/programming the Profinet interface

The Profinet interface is set (assignment of device name as well as assignment of the IP address) using the Profinet engineering tools of the DCS.

General data of the Profinet interface

Communication protocol	Profinet according to IEC 61158 and IEC 61784	
Network topology	Star topology, point-to-point wiring Due to the switch function integrated within the AC 01.2, both line topology and redundant ring topology (MRP) are available. Unused network ports can be switched off.	
Connection	Ethernet IEEE 802.3 2-pair cabling in compliance with IEC 61784-5-3 Auto Polarity Exchange, Auto Negotiation and Auto Crossover are supported.	
Profinet connection	2 x Ethernet connection terminals with insulation displacement connection, integral screen with strain relief, suitable for all Ethernet cable types or 2 x RJ-45 Connection via connector for field assembly, one RJ-45 connector for Cat.5 (K009.706) is included in the scope of supply of the electrical connection.	
Transmission rate	100 Mbits/s (100BASE-TX), full duplex	
Cable length	Max. 100 m	
Device classes	I/O controller (usually the PLC/DCS) I/O devices (field devices) I/O supervisor (programming device, PC or HMI for diagnostics/commissioning)	
Fieldbus access	Provider - consumer model	
Supported Profinet specification	Version V2.32	
Supported Profinet functions	Cyclic Profinet communication (RT) Acyclic Profinet communication (Read/Write Record)	
Supported Profinet alarms	Status Alarm Update Alarm Port Data Change Notification Alarm Sync Data Change Notification Alarm	
Supported network diagnostic and management protocols	ACD (Address Conflict Detection) ARP (Address Resolution Protocol) DCP (Discovery and Basic Configuration Protocol) SNMP (Simple Network Management Protocol) LLDP (Link Layer Discovery Protocol) in accordance with IEEE 802.1AB These functions allow assignment of the Profinet device name, a graphic representation of the plant topology, port-granular diagnostics as well as neighbourhood detection as the basis for quick commissioning and easy device replacement.	
Profinet redundancy	Standard:	Media Redundancy Protocol in compliance with IEC 62439 (switch function integrated within AC 01.2)
	Option:	System redundancy S2 Single NAP
Vendor ID	319	
Ident Code	1	
Profinet device type	AUMA-Actuator-AC01-2	

General data of the Profinet interface		
Identification & Maintenance properties	I&M0 Profile ID:	62976
	I&M0 Profile Specification Type:	4
	I&M0 Version:	257
	I&M0 Supported:	30
Profinet Ident Nr.	0x013F; 0x0001	
DAP (Device Access Point)	0x80010000	
Conformance class	CC-B (Conformance Class B) for the Profinet application of the AC actuator controls CC-C (Conformance Class C) for the integral switch function	
Netload Class	III	
Device diagnostics via Ethernet	Via TCP/IP and integral web server possible Via FDI package & software for diagnostics/commissioning (e. g. Siemens PDM, Emerson AMS)	
Device integration	Via GSD (ml) file (available for download at www.auma.com)	

Commands and signals of the Profinet interface	
Process representation output (command signals)	OPEN, STOP, CLOSE, position setpoint, RESET, EMERGENCY operation command, enable local controls, Interlock OPEN/CLOSE, PVST
Process representation input (feedback signals)	End positions OPEN, CLOSED Actual position value Actual torque value, requires MWG in actuator Selector switch in position LOCAL/REMOTE Running indication (directional) Torque switches OPEN, CLOSED Limit switches OPEN, CLOSED Manual operation by handwheel or via local controls Analogue (2) and digital (4) customer inputs
Process representation input (fault signals)	Motor protection tripped Torque switch tripped in mid-travel One phase missing Failure of analogue customer inputs
Behaviour on loss of communication	The behaviour of the actuator is programmable: <ul style="list-style-type: none"> • Stop in current position • Travel to end position OPEN or CLOSED • Travel to any intermediate position • Execute last received operation command

Service conditions	
Use	Indoor and outdoor use permissible
Mounting position	Any position
Installation altitude	≤ 2 000 m above sea level > 2,000 m above sea level, on request
Ambient temperature	Refer to name plate of actuator controls
Humidity	Up to 100 % relative humidity across the entire permissible temperature range
Enclosure protection in accordance with IEC 60529	Standard: IP68
	Option: Terminal compartment additionally sealed against interior of actuator controls (double sealed)
	According to AUMA definition, enclosure protection IP68 meets the following requirements: <ul style="list-style-type: none"> • Depth of water: Maximum 8 m head of water • Continuous immersion in water: maximal 96 hours • Up to 10 operations during immersion • Modulating duty is not possible during immersion. For exact version, refer to actuator controls name plate.
Pollution degree according to IEC 60664-1	Pollution degree 4 (when closed), pollution degree 2 (internal)

Service conditions	
Vibration resistance according to IEC 60068-2-6	1 g, from 10 Hz to 200 Hz Resistant to vibration during start-up or for failures of the plant. However, a fatigue strength may not be derived from this. (Not valid in combination with gearboxes)
Corrosion protection	Standard: KS: Suitable for use in areas with high salinity, almost permanent condensation, and high pollution.
	Option: KX: Suitable for use in areas with extremely high salinity, permanent condensation, and high pollution.
Coating	Double layer powder coating Two-component iron-mica combination
Colour	Standard: AUMA silver-grey (similar to RAL 7037)
	Option: Available colours on request

Accessories	
Wall bracket	For actuator controls mounted separately from the actuator, including plug/socket connector. Connecting cable on request. Recommended for high ambient temperatures, difficult access, or in case of heavy vibration during service. Cable length between actuator and actuator controls is max. 100 m. An MWG is required for position feedback.
Programming software	AUMA CDT (Commissioning and Diagnostic Tool for Windows-based PC) AUMA Assistant App (Commissioning and Diagnostic Tool)
Torque measurement flange DMF	Accessory for torque measurement for SA/SAR 07.2 – SA/SAR 16.2

Further information	
Weight	Approx. 7 kg (with AUMA plug/socket connector)
EU Directives	Machinery Directive 2006/42/EC Low Voltage Directive 2014/35/EU EMC Directive 2014/30/EU RoHS Directive 2011/65/EU

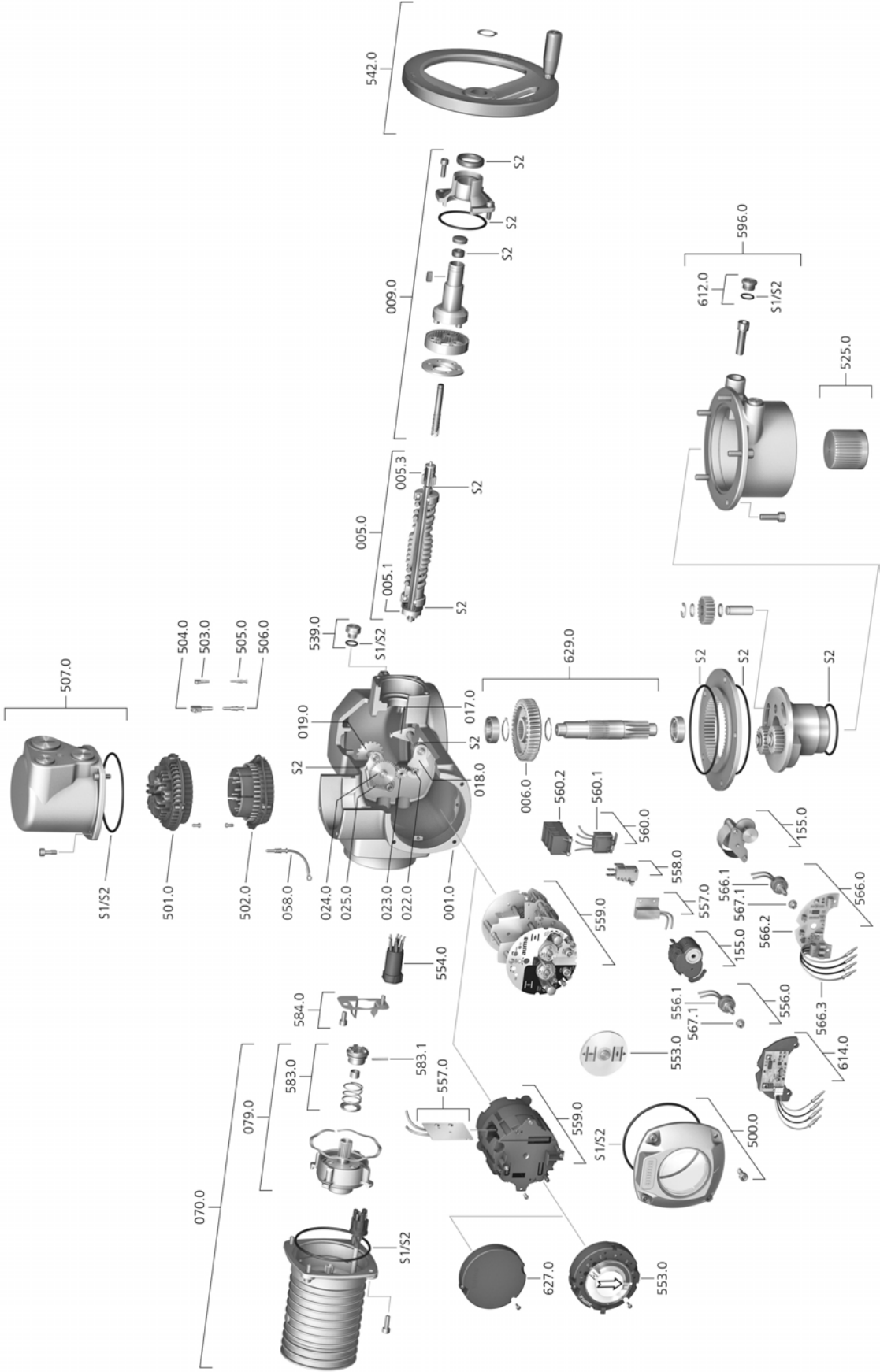
14.3. Tightening torques for screws

Table 42:

Tightening torques for screws		
Threads	Tightening torque [Nm]	
	Strength class	
	A2-70/A4-70	A2-80/A4-80
M6	7.4	10
M8	18	24
M10	36	48
M12	61	82
M16	150	200
M20	294	392
M30	1,015	1,057
M36	1,769	2,121

15. Spare parts

15.1. Part-turn actuators SQ 05.2 – SQ 14.2/SQR 05.2 – SQR 14.2

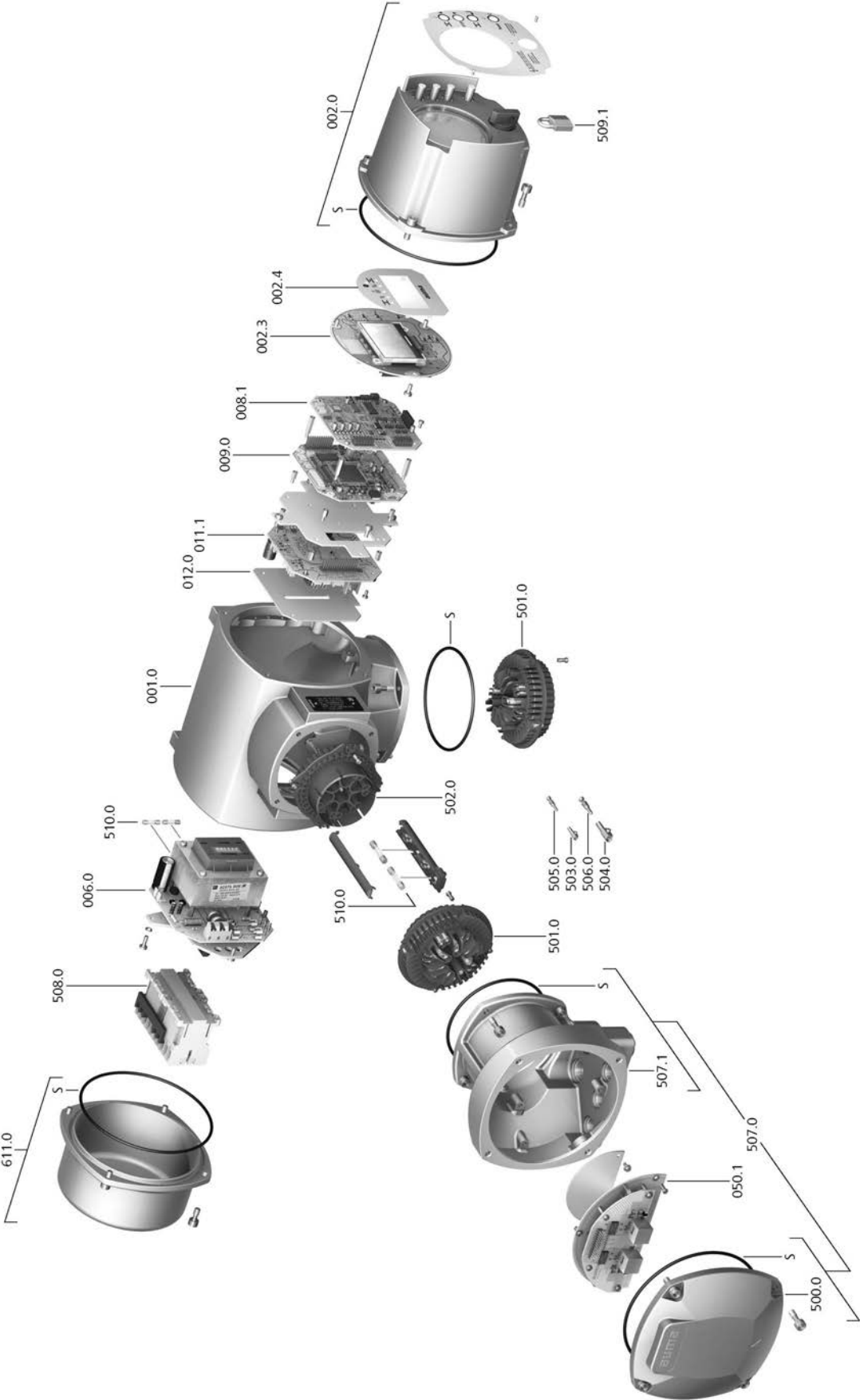


Spare parts

Please state device type and our order number (see name plate) when ordering spare parts. Only original AUMA spare parts should be used. Failure to use original spare parts voids the warranty and exempts AUMA from any liability. Representation of spare parts may slightly vary from actual delivery.

Ref. no.	Designation	Type	Ref. no.	Designation	Type
001.0	Housing	Sub-assembly	553.0	Mechanical position indicator	Sub-assembly
005.0	Drive shaft	Sub-assembly	554.0	Socket carrier for motor plug/socket connector with cable harness	Sub-assembly
005.1	Motor coupling	Sub-assembly	556.0	Potentiometer as position transmitter	Sub-assembly
005.3	Manual drive coupling		556.1	Potentiometer without slip clutch	Sub-assembly
006.0	Worm wheel	Sub-assembly	557.0	Heater	Sub-assembly
009.0	Manual gearing	Sub-assembly	558.0	Blinker transmitter including pins at wires (without impulse disc and insulation plate)	Sub-assembly
017.0	Torque lever		559.0–1	Electromechanical control unit with switches, including torque switching heads	Sub-assembly
018.0	Gear segment	Sub-assembly	559.0–2	Electronic control unit with magnetic limit and torque transmitter (MWG)	Sub-assembly
019.0	Crown wheel		560.0–1	Switch stack for direction OPEN	Sub-assembly
022.0	Drive pinion II for torque switching	Sub-assembly	560.0–2	Switch stack for direction CLOSE	Sub-assembly
023.0	Output drive wheel for limit switching	Sub-assembly	560.1	Switch for limit/torque	Sub-assembly
024.0	Drive wheel for limit switching	Sub-assembly	560.2–1	Switch case for direction OPEN	
025.0	Locking plate	Sub-assembly	560.2–2	Switch case for direction CLOSE	
058.0	Cable for protective earth	Sub-assembly	566.0	RWG position transmitter	Sub-assembly
070.0	Motor (incl. ref. no. 079.0)	Sub-assembly	566.1	Potentiometer for RWG without slip clutch	Sub-assembly
079.0	Planetary gearing for motor drive	Sub-assembly	566.2	Position transmitter board for RWG	Sub-assembly
155.0	Reduction gearing	Sub-assembly	566.3	Cable set for RWG	Sub-assembly
500.0	Cover	Sub-assembly	567.1	Slip clutch for potentiometer	Sub-assembly
501.0	Socket carrier (complete with sockets)	Sub-assembly	583.0	Motor coupling on motor shaft	Sub-assembly
502.0	Pin carrier without pins	Sub-assembly	583.1	Pin for motor coupling	Sub-assembly
503.0	Socket for controls	Sub-assembly	584.0	Retaining spring for motor coupling	
504.0	Socket for motor		596.0	Output drive flange with end stop	Sub-assembly
505.0	Pin for controls	Sub-assembly	612.0	Screw plug for end stop	Sub-assembly
506.0	Pin for motor	Sub-assembly	614.0	EWG position transmitter	Sub-assembly
507.0	Cover for electrical connection	Sub-assembly	627.0	MWG 05.03 cover	
525.0	Coupling	Sub-assembly	629.0	Pinion shaft	Sub-assembly
539.0	Screw plug	Sub-assembly	S1	Seal kit, small	Set
542.0	Handwheel with ball handle		S2	Seal kit, large	Set

15.2. Stellantriebs-Steuerung AC 01.2 mit Elektroanschluss SF



Spare parts

Please state device type and our order number (see name plate) when ordering spare parts. Only original AUMA spare parts should be used. Failure to use original spare parts voids the warranty and exempts AUMA from any liability. Representation of spare parts may slightly vary from actual delivery.

Ref. no.	Designation	Type
001.0	Housing	Sub-assembly
002.0	Local controls	Sub-assembly
002.3	Local controls board	Sub-assembly
002.4	Face plate for display	
006.0	Power supply unit	Sub-assembly
008.1	Fieldbus board	
009.0	Logic board	Sub-assembly
011.1	Relay board	Sub-assembly
012.0	Option board	
050.1	Feldbusanschlussplatine	Sub-assembly
500.0	Cover	Sub-assembly
501.0	Socket carrier (complete with sockets)	Sub-assembly
502.0	Pin carrier without pins	Sub-assembly
503.0	Socket for controls	Sub-assembly
504.0	Socket for motor	Sub-assembly
505.0	Pin for controls	Sub-assembly
506.0	Pin for motor	Sub-assembly
507.0	Electrical connection for fieldbus without connection board (050.1)	Sub-assembly
507.1	Frame for electrical connection	Sub-assembly
508.0	Switchgear	Sub-assembly
509.1	Padlock	Sub-assembly
510.0	Fuse kit	Kit
611.0	Cover	Sub-assembly
S	Seal kit	Set

Index

A

Accessories (electrical connection)	33
Actual value - indication on display	45
Actuator controls terminal plan	10
Actuator operation from remote	37
Actuator terminal plan	10, 11
Ambient temperature	9, 10, 78, 83
Analogue signals	50
Applications	5
Assembly	16
Assistant App	12
AUMA Assistant App	8, 12
AUMA Cloud	8

B

Blanking plug	22
Bluetooth	8

C

Cable glands	22
Cables	22
Cable set	33
CDT	8
Coating	84
Colour	84
Commissioning	5
Commissioning (indications on display)	43
Connecting cable	33
Connecting cables	22
Control	10, 11
Control inputs Potential	22
Control voltage	11
Corrective action	67
Corrosion protection	14, 79, 84
Coupling	17, 17
Current consumption	21
Current type	21

D

Data Matrix code	12
Digital outputs	50
Direct display via ID	39
Direction of rotation	59
Directives	5
Display (indications)	43
Disposal	75
Double sealed	34
DUO limit switching	58

E

Earth connection	35
Electrical connection	21
Electronic position transmitter	62, 65
EMC	22
Enclosure protection	9, 10, 10, 78, 83
End position signalling	64
End stops	52
Error - indication on display	44
EWG	62
EWG position transmitter	62

F

Failure - indication on display	48
Fault	67
Fault - indication on display	46
Features and functions	82
Flange size	11, 11
Frequency range	21
Function check - indication on display	47
Fuses	71

H

Handwheel	16
Heating system	22
Humidity	78

I

Incorrect entry	41
Indication lights	48
Indications	43
Indications on display	43
Indicator disc	60
Indicator mark	49
Input current	11
Input signal	11
Input signals Potential	22
Inspection certificate	11
Installation altitude	83
Insulation class	10
Intermediate frame	34
Intermediate position indication via LEDs	48
Intermediate positions	58
Intrusive	7
Inverse operation (0/20 – 4 mA)	63

L

Language in the display	41
LED end position signalling	64
LEDs (indication lights)	48
Limit switching	56, 59
Local actuator operation	36
Local control	36
Local controls	36
Local setting	38
Lubrication	75

M		R	
Main menu	39	Range of application	5
Mains frequency	10, 10	Rated current	10
Mains voltage	10, 10, 21	Rated power	10
Maintenance	5, 75, 75	Recycling	75
Maintenance required - indication on display	47	reductions	22
Manual operation	36	Reference operation	60
Mechanical position indicator	49, 60	Remote actuator operation	37
Menu navigation	38	Residual current device (RCD)	22
Motor operation	36	Running indication	49
Motor protection	10	RWG	65
Motor type	10	S	
Mounting position	83	Safety instructions	5
N		Safety instructions/warnings	5
Name plate	9	Safety measures	22
Non-Intrusive	7	Safety standards	22
Not ready REMOTE - indication on display	46	Screw plugs	22
O		Self-retaining	37
Operating the actuator from local controls	36	Serial number	9, 10, 11
Operating time	9	Service	75
Operation	5, 36	Servicing	75
Operation commands - indications on display	45	Setpoint - indication on display	45
Order number	9, 10, 11	Short-circuit protection	21
Out of specification - indication on display	47	Signals	50
Output contacts	50	Signals (analogue)	50
Output signals	50	Size	11
Output signals Potential	22	Spare parts	85
Overvoltage category	80	Speed	10
P		Standards	5
Parking frame	34	Status menu	39
Password	40	Status signals	50
Password change	40	Status signals Potential	22
Password entry	40	Storage	14
Positioner - indication on display	45	Supply networks	21
Position indicator	49, 60	Support	75
Position transmitter	11	Switch check	67
Position transmitter (EWG)	62	T	
Position transmitter (RWG)	65	Technical data	77
Potentiometer	64	Technical data for switches	79
Power class	10	Temperature protection	10
Power class for switchgear	11	Terminal plan	21
Power factor	10	Test run	59
Protection on site	21	Timeout	41
Protective measures	5	Torque range	9
Push-to-run operation	37	Torque switching	56
Q		Transport	13
Qualification of staff	5	Type	11
		Type designation	9, 10
		Type of current	10
		Type of duty	10
		Type of lubricant	9
		Type of networks	21
		U	
		User level	40

V

Valve position - indication on display	44
Vibration resistance	84
Voltage range	21

W

Wall bracket	33
Warnings - indication on display	46
Wiring diagram	11, 21

Y

Year of manufacture	11
Year of production	11

auma[®]

Solutions for a world in motion

AUMA Riester GmbH & Co. KG

P.O. Box 1362

DE 79373 Muellheim

Tel +49 7631 809 - 0

Fax +49 7631 809 - 1250

info@auma.com

www.auma.com