

Spare parts list

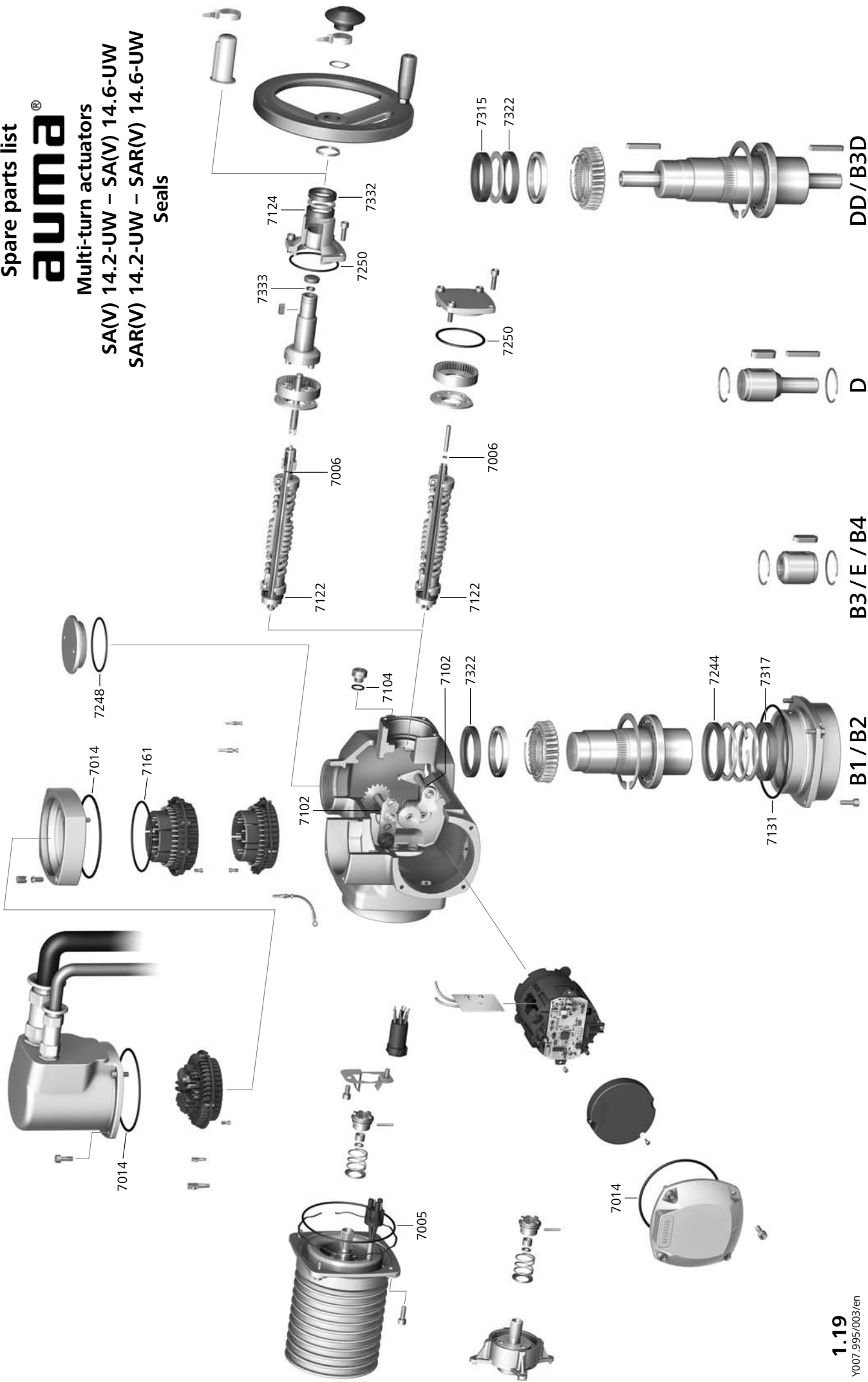
auma[®]

Multi-turn actuators

SA(V) 14.2-UW – SA(V) 14.6-UW

SAR(V) 14.2-UW – SAR(V) 14.6-UW

Seals



Spare parts list seals for multi-turn actuators

Seal kit small S1

This seal kit includes all seals which might be damaged or lost during commissioning, or which are needed for small maintenance.

Ref.No.	Designation / Size	Material NBR Art.-No. Z125.947	fitted Nos.	Ref.No.	Designation / Size	Material FKM Art.-No. Z125.948	fitted Nos.
7005	O-ring 142,47x3,53	D003.017	1	7005	O-ring 142,47x3,53	D003.021	1
7014	O-ring 98x3	D002.104	3	7014	O-ring 98x3	D002.572	3
7104	O-ring 12x2	D000.296	1	7104	O-ring 12x2	D002.514	1
7161	O-ring 80x3	D000.363	1	7161	O-ring 80x3	D002.512	1
7248 ¹⁾	O-ring 78x3	D000.362	1	7248 ¹⁾	O-ring 78x3	D003.400	1

Seal kit large S2

This seal kit includes all sealing elements installed in the actuator. Special tools are required for replacing some of them.

Ref.No.	Designation / Size	Material NBR Art.-No. Z125.949	fitted Nos.	Ref.No.	Designation / Size	Material FKM Art.-No. Z125.950	fitted Nos.
7005	O-ring 142,47x3,53	D003.017	1	7005	O-ring 142,47x3,53	D003.021	1
7006	O-ring 3,5x1,0	D003.329	1	7006	O-ring 3,5x1,0	D003.595	1
7014	O-ring 98x3	D002.104	3	7014	O-ring 98x3	D002.572	3
7102	Radial seal A10x19x7	D000.177	2	7102	Radial seal A10x19x7	D002.656	2
7104	O-ring 12x2	D000.296	1	7104	O-ring 12x2	D002.514	1
7122	Radial seal A17x40x7	D000.193	1	7122	Radial seal A17x40x7	D002.516	1
7124 ³⁾	Radial seal AS30x40x7	D001.637	1	7124 ³⁾	Radial seal AS30x40x7	D003.805	1
7131	O-ring 156x3	D002.483	1	7131	O-ring 156x3	D002.685	1
7161	O-ring 80x3	D000.363	1	7161	O-ring 80x3	D002.512	1
7244	Radial seal AS85x110x10	D003.801	1	7244	Radial seal AS85x110x10	D003.802	1
7248 ¹⁾	O-ring 78x3	D000.362	1	7248 ¹⁾	O-ring 78x3	D003.400	1
7250	O-ring 88x2,5	D004.048	1	7250	O-ring 88x2,5	D004.049	1
7315 ²⁾	Radial seal AB62x80x10	K011.044	1	7315 ²⁾	Radial seal AB62x80x10	K011.045	1
7317	Radial seal AB85x110x10	K011.042	1	7317	Radial seal AB85x110x10	K011.043	1
7322	Radial seal AS70x90x8	D004.379	1	7322	Radial seal AS70x90x8	D004.380	1
7332 ³⁾	Radial seal BC30x40x7	K011.763	1	7332 ³⁾	Radial seal BC30x40x7	K011.764	1
7333 ³⁾	Rod seal 8x10,9	K011.765	1	7333 ³⁾	Rod seal 8x10,9	K011.765	1

1) For version with output drive types B1/B2/B3/E/B4/D

2) For version with output drive type DD or B3D

3) For version with handwheel

Please state type and order no. of the device (see name plate) when ordering spare parts. Only original AUMA spare parts should be used. Failure to use original spare parts voids the warranty and exempts AUMA from any liability. Delivered spare parts may slightly vary from the representation.

We reserve the right to alter data according to improvements made. Previous documents become invalid with the issue of this document