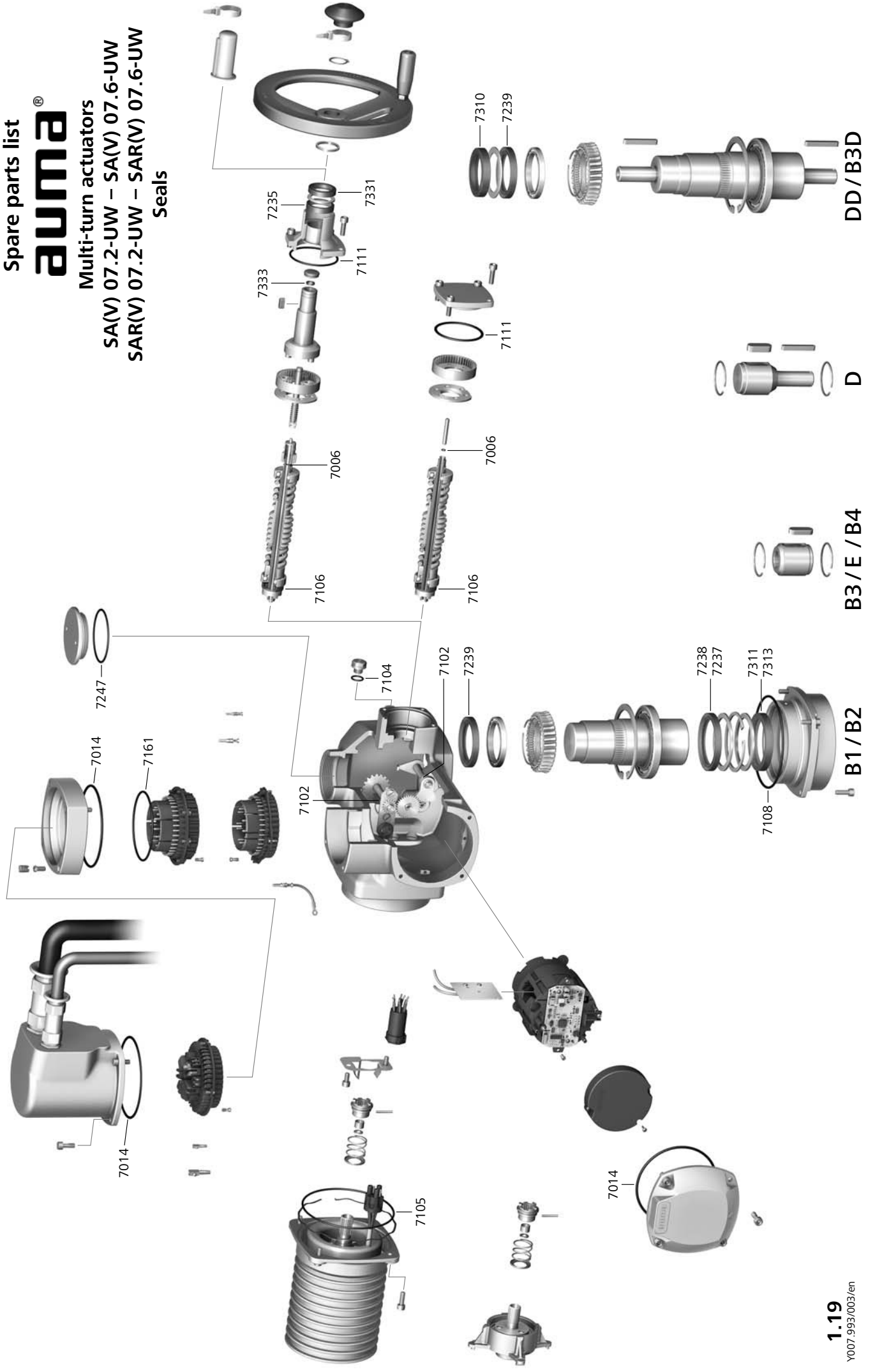


# Spare parts list **auma**<sup>®</sup>

Multi-turn actuators  
SA(V) 07.2-UW – SA(V) 07.6-UW  
SAR(V) 07.2-UW – SAR(V) 07.6-UW  
Seals



**Spare parts list Seals for multi-turn actuators**

**Seal kit small S1**

This seal kit includes all seals which might be damaged or lost during commissioning, or which are needed for small maintenance.

Ref.No.	Designation / Size	Material NBR Art.-No. Z125.929	fitted Nos.	Ref.No.	Designation / Size	Material FKM Art.-No. Z125.930	fitted Nos.
7014	O-ring 98x3	D002.104	3	7014	O-ring 98x3	D002.572	3
7104	O-ring 12x2	D000.296	1	7104	O-ring 12x2	D002.514	1
7105	O-ring 95x3	D000.374	1	7105	O-ring 95x3	D002.140	1
7161	O-ring 80x3	D000.363	1	7161	O-ring 80x3	D002.512	1
7247 <sup>1)</sup>	O-ring 44x3	D000.329	1	7247 <sup>1)</sup>	O-ring 44x3	D002.533	1

**Seal kit large S2**

This seal kit includes all sealing elements installed in the actuator. Special tools are required for replacing some of them.

Ref.No.	Designation / Size	Material NBR Art.-No. Z125.931	fitted Nos.	Ref.No.	Designation / Size	Material FKM Art.-No. Z125.932	fitted Nos.
7006	O-ring 3,5x1,0	D003.329	1	7006	O-ring 3,5x1,0	D003.595	1
7014	O-ring 98x3	D002.104	3	7014	O-ring 98x3	D002.572	3
7102	Radial seal A10x19x7	D000.177	2	7102	Radial seal A10x19x7	D002.656	2
7104	O-ring 12x2	D000.296	1	7104	O-ring 12x2	D002.514	1
7105	O-ring 95x3	D000.374	1	7105	O-ring 95x3	D002.140	1
7106	Radial seal A12x28x7	D000.182	1	7106	Radial seal A12x28x7	D002.573	1
7108	O-ring 85x2,5	D000.367	1	7108	O-ring 85x2,5	D002.535	1
7111	O-ring 55x3	D000.341	1	7111	O-ring 55x3	D002.548	1
7161	O-ring 80x3	D000.363	1	7161	O-ring 80x3	D002.512	1
7235 <sup>5)</sup>	Radial seal A25x35x7	D000.206	1	7235 <sup>5)</sup>	Radial seal A25x35x7	D002.526	1
7237 <sup>4)</sup>	Radial seal AS60x75x8	D003.799	1	7237 <sup>4)</sup>	Radial seal AS60x75x8	D003.800	1
7238 <sup>3)</sup>	Radial seal AS45x60x7	D003.797	1	7238 <sup>3)</sup>	Radial seal AS45x60x7	D003.798	1
7239	Radial seal AS40x52x7	D003.791	1	7239	Radial seal AS40x52x7	D003.792	1
7247 <sup>1)</sup>	O-ring 44x3	D000.329	1	7247 <sup>1)</sup>	O-ring 44x3	D002.533	1
7310 <sup>2)</sup>	Radial seal AB35x47x7	K011.015	1	7310 <sup>2)</sup>	Radial seal AB35x47x7	K011.020	1
7311 <sup>3)</sup>	Radial seal AB45x60x10	K011.013	1	7311 <sup>3)</sup>	Radial seal AB45x60x10	K011.019	1
7313 <sup>4)</sup>	Radial seal AB60x75x10	K011.082	1	7313 <sup>4)</sup>	Radial seal AB60x75x10	K011.083	1
7331 <sup>5)</sup>	Radial seal BC25x35x7	K011.761	1	7331 <sup>5)</sup>	Radial seal BC25x35x7	K011.762	1
7333 <sup>5)</sup>	Rod seal 8x10,9	K011.765	1	7333 <sup>5)</sup>	Rod seal 8x10,9	K011.765	1

1) For version with output drive types B1/B2/B3/E/B4/D

2) For version with output drive type DD or B3D

3) For version with flanges F07/FA07

4) For version with flanges F10/G0/FA10

5) For version with handwheel

Please state type and order no. of the device (see name plate) when ordering spare parts. Only original AUMA spare parts should be used. Failure to use original spare parts voids the warranty and exempts AUMA from any liability. Delivered spare parts may slightly vary from the representation.

We reserve the right to alter data according to improvements made. Previous documents become invalid with the issue of this document.