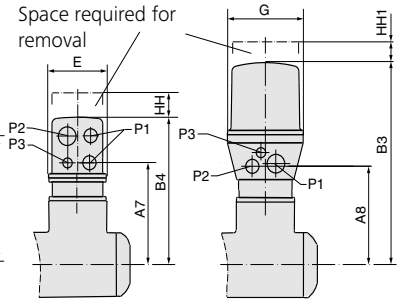
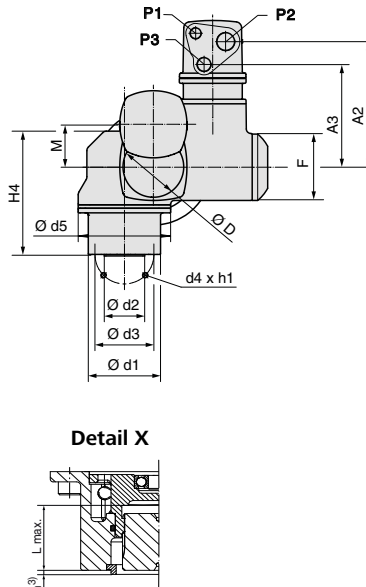
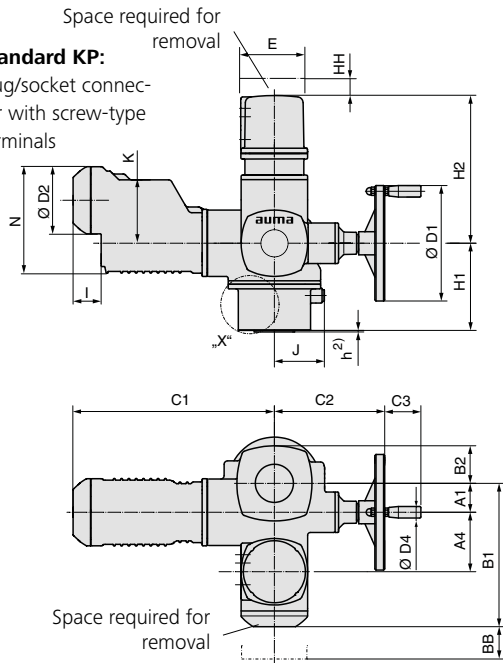


Dimensions Part-turn actuators with 1-ph AC motor

With explosion-proof plug/socket connector

Standard KP:

Plug/socket connector with screw-type terminals



Option KH (KPH): Plug/socket connector with screw-type terminals
Option KS (KES): Plug/socket connector with terminal blocks

Output drives according to EN ISO 5211
For dimensions see overleaf

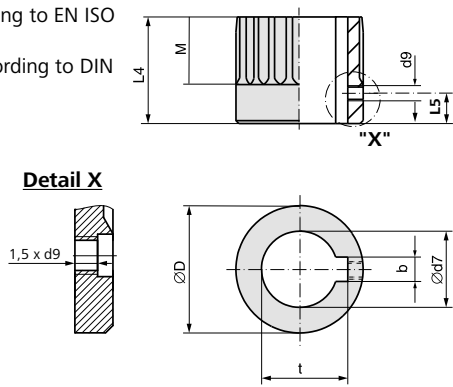
- 1) Standard, other threads on request
- 2) Allowance for spigot is not available as standard. The spigot ring is a separate component, available as option.
- 3) Combined flange F05/F07 without spigot (standard). As an alternative an individual flange F07 can be ordered with/without spigot

Dimensions	SQEx 05.2		SQEx 07.2			SQEx 10.2		SQEx 12.2		SQEx 14.2		
	EN ISO 5211	F05 ⁴⁾	F07 ⁴⁾	F05 ⁴⁾	F07 ⁴⁾	F10	F12	F12	F14	F14	F16	
A1			40				50		50		50	
A2			221				221		221		221	
A3			181				181		181		181	
A4			103				103		103		103	
A7			207				207		207		207	
A8			172				172		172		172	
B1			245				255		255		255	
B2			50				65		65		65	
B3			395				395		395		395	
B4			282				282		282		282	
C1			350				350		350		350	
C2			186				191		191		191	
C3			63				63		63		63	
Ø D			104				104		104		104	
Ø D1			160				200		200		200	
Ø D2			115				115		115		115	
Ø D4			20				20		20		20	
E			115				115		115		115	
F			115				115		115		115	
G			150				150		150		150	
H1		134		134	160	151	183	175	215	210	260	
H2			257				257		257		257	
H4		193		193	218	214	246	238	278	273	323	
I			52				52		52		52	
J			69				86		109		128	
K			108				108		108		108	
L max.		40		40	66	50	82	61	101	75	125	
M			73				73		73		73	
N			188				188		188		188	
P1 ¹⁾			M20 x 1.5				M20 x 1.5		M20 x 1.5		M20 x 1.5	
P2 ¹⁾			M32 x 1.5				M32 x 1.5		M32 x 1.5		M32 x 1.5	
P3 ¹⁾			M25 x 1.5				M25 x 1.5		M25 x 1.5		M25 x 1.5	
BB min.			180				180		180		180	
HH min.			60				60		60		60	
HH1 min.			130				130		130		130	
Ø d1		90		90	125	125	150	150	175	175	210	
Ø d2		-		-	70	70	85	85	100	100	130	
Ø d3		50	70	50	70	102	125	125	140	140	165	
d4		4 x M6	4 x M8	4 x M6	4 x M8	4 x M10	4 x M10	4 x M12	4 x M16	4 x M16	4 x M20	
Ø d5			125				160		210		225	
h ²⁾		-		-	2.5		2.5	2.5	3.5	3.5	4.5	
h1		12	15	12	15	16	18	19	22	25	29	32

We reserve the right to alter data according to improvements made. Previous documents become invalid with the issue of this document.

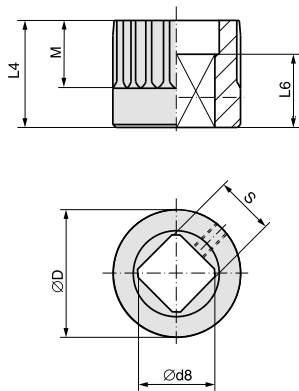
Dimensions Couplings according to EN ISO 5211

Bore according to EN ISO 5211 with keyway according to DIN 6885-1



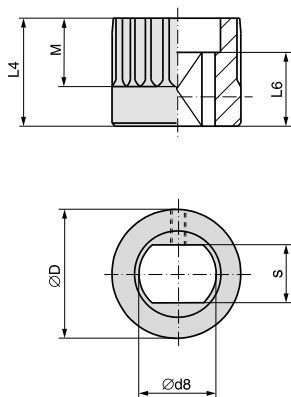
SQ../SQR..	05.2		07.2		10.2		12.2		14.2	
EN ISO 5211	F05	F07	F07	F10	F10	F12	F12	F14	F14	F16
Ø D	41.75	41.75	41.75	51.75	51.75	57.75	67.6	67.6	81.6	81.6
b JS9 ¹⁾	6	6	6	8	8	10	10	10	14	14
Ø d7 H8 ²⁾	18	22	22	28	28	36	36	36	48	48
Ø d7 max.	25.4	25.4	25.4	38	38	50	50	50	60	60
d9 ³⁾	M5	M5	M5	M6	M6	M6	M6	M6	M6	M6
L4	35	35	60	45	75	55	95	65	115	115
L5 ³⁾	8	8	8	10	10	10	10	10	10	10
M	20	20	20	30	30	40	40	47	40	40
t ¹⁾	20.8	24.8	24.8	31.3	31.3	39.3	39.3	39.3	51.8	51.8

Square bore according to EN ISO 5211



SQ../SQR..	05.2		07.2		10.2		12.2		14.2	
EN ISO 5211	F05	F07	F07	F10	F10	F12	F12	F14	F14	F16
Ø D	41.75	41.75	41.75	51.75	51.75	57.75	67.6	67.6	81.6	81.6
Ø d8 min. ²⁾	18.1	22.2	22.2	28.2	28.2	36.2	36.2	36.2	48.2	48.2
Ø d8 max.	28.2	28.2	28.2	40.2 ⁴⁾	40.2 ⁴⁾	48.2	48.2	48.2	60.2	60.2
L4	35	35	60	45	75	55	95	65	115	115
L6 min.	30	30	30	30	30	30	30	30	40	40
M	20	20	20	30	30	40	40	47	40	40
s H11 ²⁾	14	17	17	22	22	27	27	27	36	36
s H11 max.	22	22	22	30 ⁴⁾	30 ⁴⁾	36	36	36	46	46

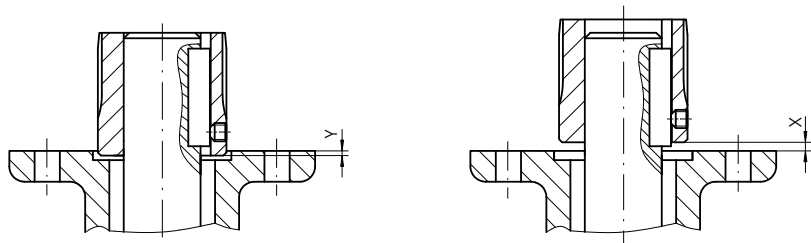
Two-flat according to EN ISO 5211



SQ../SQR..	05.2		07.2		10.2		12.2		14.2	
EN ISO 5211	F05	F07	F07	F10	F10	F12	F12	F14	F14	F16
Ø D	41.75	41.75	41.75	51.75	51.75	57.75	67.6	67.6	81.6	81.6
Ø d8 min. ²⁾	18.1	22.2	22.2	28.2	28.2	36.2	36.2	36.2	48.2	48.2
Ø d8 max.	28.2	28.2	28.2	36.2	36.2	48.2 (48 ⁵⁾)	48.2 (48 ⁵⁾)	48.2 (48 ⁵⁾)	60.2	60.2
L4	35	35	60	45	75	55	95	65	115	115
L6 min.	25	25	25	25	25	30	30	30	40	40
M	20	20	20	30	30	40	40	47	40	40
s H11 ²⁾	14	17	17	22	22	27	27	27	36	36
s H11 max.	22	22	22	27	27	36 (41 ⁵⁾)	36 (41 ⁵⁾)	36 (41 ⁵⁾)	46	46

Mounting position of the coupling within fitting dimensions according to AUMA definition

X max.	3	4	5	8
Y max.	2	5	10	10



- 1) Dimensions depend on Ø d7, refer to DIN 6885-1
- 2) Recommended size according to EN ISO 5211
- 3) Thread with grub screw
- 4) According to DIN 79
- 5) According to DIN 475

We reserve the right to alter data according to improvements made. Previous documents become invalid with the issue of this document.