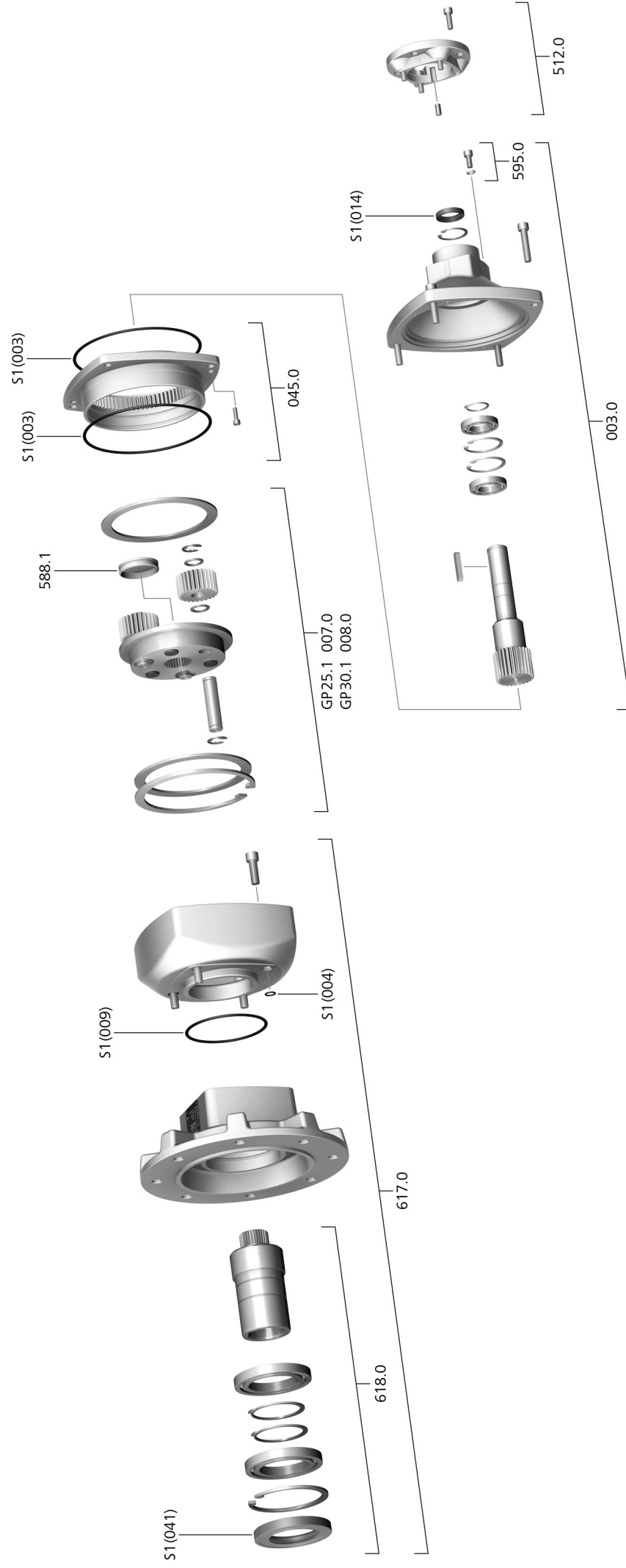


Spare parts list  
**auma**<sup>®</sup>  
 Multi-turn gearboxes  
 GP 25.1 – GP 30.1  
 4:1/8:1



**Spare parts list Multi-turn gearboxes 4:1/8:1**

Please state device type and our order number (see name plate) when ordering spare parts. Only original AUMA spare parts should be used. Failure to use original spare parts voids the warranty and exempts AUMA from any liability. Representation of spare parts may slightly vary from actual delivery.

Ref. no.	Designation	Type
003.0	Housing cover with drive shaft	Sub-assembly
007.0	Planetary gearing (GP 25.1)	Sub-assembly
008.0	Planetary gearing (GP 30.1)	Sub-assembly
045.0	Internal geared wheel	
512.0	Input mounting flange	Sub-assembly
588.1	Blanking plug	
595.0	Screw kit for manual gearbox	Sub-assembly
617.0	Output drive housing	Sub-assembly
618.0	Output drive sleeve	Sub-assembly
S1	Seal kit	Set