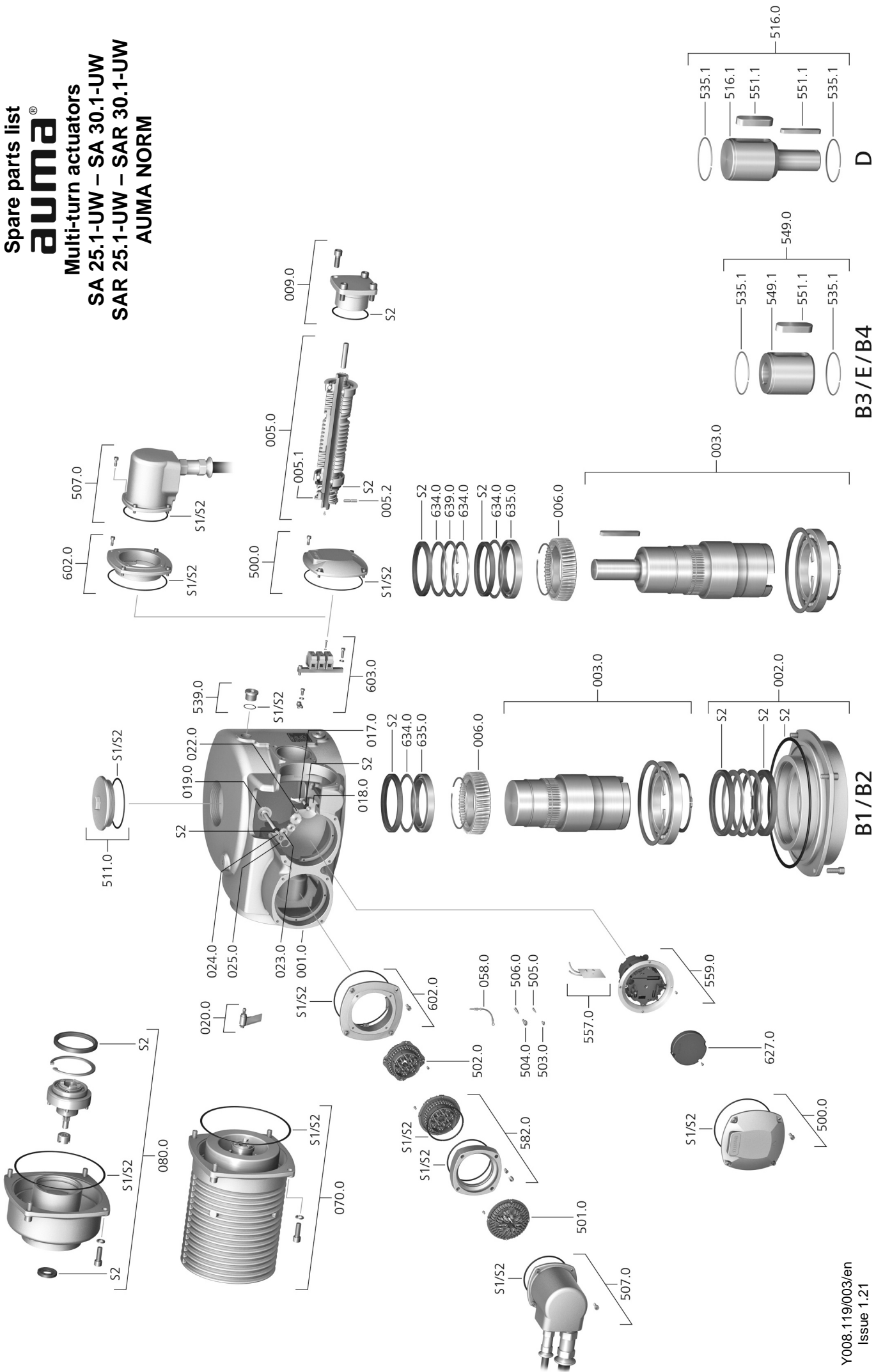


Spare parts list
AUMA[®]
 Multi-turn actuators
 SA 25.1-UW – SA 30.1-UW
 SAR 25.1-UW – SAR 30.1-UW
 AUMA NORM



SA 25.1-UW – SA 30.1-UW
SAR 25.1-UW – SAR 30.1-UW
Spare parts list Multi-turn actuators AUMA NORM

Please state device type and our order number (see name plate) when ordering spare parts. Only original AUMA spare parts should be used. Failure to use original spare parts voids the warranty and exempts AUMA from any liability. Representation of spare parts may slightly vary from actual delivery.

Ref. no.	Designation	Type	Ref. no.	Designation	Type
001.0	Housing	Sub-assembly	504.0	Socket for motor	Sub-assembly
002.0	Bearing flange	Sub-assembly	505.0	Pin for controls	Sub-assembly
003.0	Solid shaft	Sub-assembly	506.0	Pin for motor	Sub-assembly
005.0	Drive shaft		507.0	Cover for electrical connection	Sub-assembly
005.1	Motor coupling		511.0	Threaded plug	Sub-assembly
005.2	Coupling pin	Sub-assembly	516.0	Output drive type D	Sub-assembly
006.0	Worm wheel		516.1	Output drive shaft D	
009.0	Manual gearing	Sub-assembly	535.1	Snap ring	
017.0	Torque lever	Sub-assembly	539.0	Screw plug	
018.0	Drive wheel for limit switching		549.0	Output drive type B3/E/B4	Sub-assembly
019.0	Crown wheel		549.1	Output drive sleeve B3/E/B4	Sub-assembly
020.0	Swing lever		551.1	Parallel key	
022.0	Drive pinion II for torque switching		557.0	Heater	
023.0	Output drive wheel for limit switching	Sub-assembly	559.0	Electronic control unit with magnetic limit and torque transmitter (MWG)	Sub-assembly
024.0	Drive wheel for limit switching	Sub-assembly	582.0	Double sealed frame	
025.0	Locking plate	Sub-assembly	602.0	Reduction frame	
058.0	Cable for protective earth	Sub-assembly	603.0	Motor connection	Sub-assembly
070.0	Motor	Sub-assembly	627.0	MWG 05.03 cover	
080.0	Planetary gearing for motor drive (for A... motor)	Sub-assembly	634.0	Shim washer	
500.0	Cover	Sub-assembly	635.0	Ball bearing	
501.0	Socket carrier (complete with sockets)	Sub-assembly	639.0	Retaining ring	
502.0	Pin carrier without pins	Sub-assembly	S1	Seal kit, small	Set
503.0	Socket for controls	Sub-assembly	S2	Seal kit, large	Set