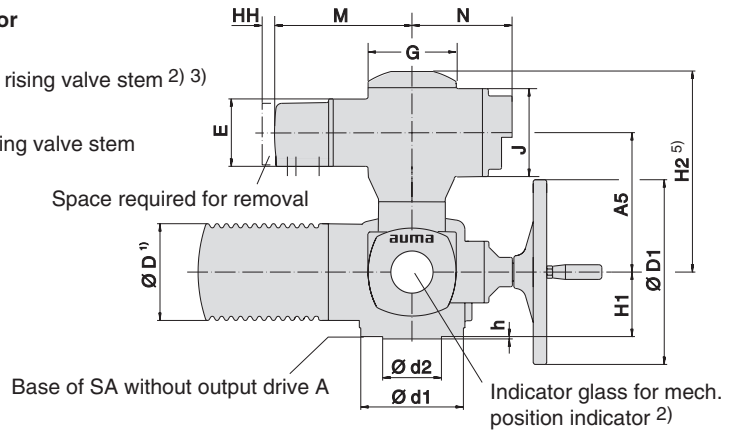
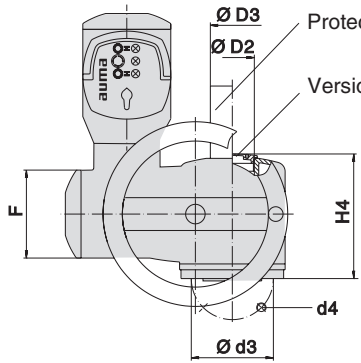


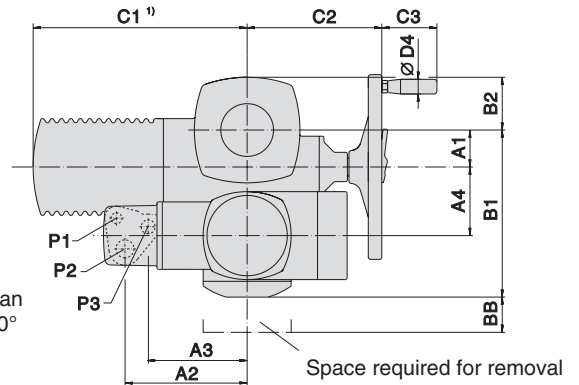
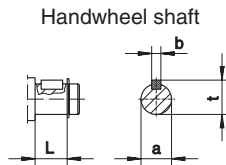
# Dimensions Multi-turn actuators with integral controls AUMA MATIC

**SA 07.1 – SA 16.1**  
**SAR 07.1 – SAR 16.1**  
**AM 01.1 – AM 02.1**

With AUMA plug/socket connector and 3-phase AC motor



Output drives according to EN ISO 5210, DIN 3210, DIN 3338, dimensions see next page



- 1) Exact dimensions according to motor used
- 2) Only if ordered additionally
- 3) In steps of 100 mm length each
- 4) Standard, other threads on request
- 5) Exact dimension according to AUMA MATIC version

Position of plug cover can be changed for every 90°

Dimensions	Multi-turn actuator type					
	SA(R) 07.1/AM 01.1	SA(R) 07.5/AM 01.1	SA(R) 10.1/AM 01.1	SA(R) 14.1/AM 02.1	SA(R) 14.5/AM 02.1	SA(R) 16.1/AM 02.1
EN ISO 5210/DIN 3210	F07 (F10/G0)	F07 (F10/G0)	F10 (G0)	F14 (G1/2)	F14 (G1/2)	F16 (G3)
A 1	40	40	50	63	63	80
A 2	199	199	199	209	209	209
A 3	159	159	159	169	169	169
A 4	103	103	103	117	117	122
A 5	232	232	232	242	242	242
B 1	237	237	247	285	285	307
B 2	62	62	65	90	90	115
C 1 1)	265	265	282	384	384	510
C 2	187	187	191	235	242	260
C 3	63	63	63	94	94	94
Ø D max.	101	101	121	153	153	190
Ø D 1	160	160	200	315	400	500
Ø D 2	G 1 1/4 "	G 1 1/4 "	G 2 "	G 2 1/2 "	G 2 1/2 "	G 3 "
Ø D 3	42 x 3.3	42 x 3.3	60 x 3.7	76 x 3.6	76 x 3.3	89 x 4.1
Ø D 4	20	20	20	25	25	25
E	115	115	115	115	115	115
F	115	115	115	150	150	150
G	150	150	150	150	150	150
H 1	78	78	80	110	110	130
H 2	340	340	340	402	402	402
H 4	155	155	168	213	213	253
J	150	150	150	150	150	150
L	20	20	24	38,9	45,8	45,8
M	235	235	235	235	235	235
N	171	171	171	171	171	171
P 1 4)	M20 x 1.5	M20 x 1.5	M20 x 1.5	M20 x 1.5	M20 x 1.5	M20 x 1.5
P 2 4)	M32 x 1.5	M32 x 1.5	M32 x 1.5	M32 x 1.5	M32 x 1.5	M32 x 1.5
P 3 4)	M25 x 1.5	M25 x 1.5	M25 x 1.5	M25 x 1.5	M25 x 1.5	M25 x 1.5
BB min.	180	180	180	180	180	180
HH min.	30	30	30	30	30	30
a	20 e7	20 e7	20 e7	30 f7	30 f7	30 f7
b	6	6	6	8	8	8
Ø d 1	90 (125)	90 (125)	125	175	175	210
Ø d 2	55 (70/60)	55 (70/60)	70 (60)	100	100	130
Ø d 3	70 (102)	70 (102)	102	140	140	165
d 4	4 x M8 (4 x M10)	4 x M8 (4 x M10)	4 x M10	4 x M16	4 x M16	4 x M20
h	3	3	3	4	4	5
t	22.5	22.5	22.5	33	33	33

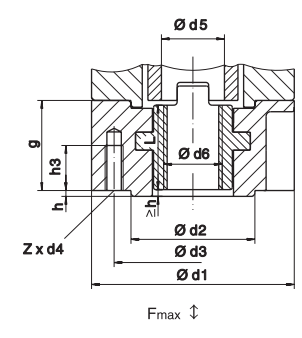
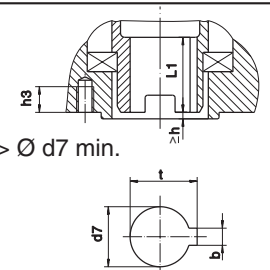
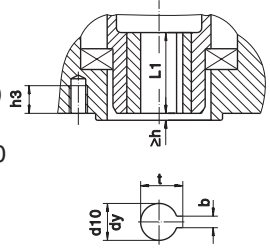
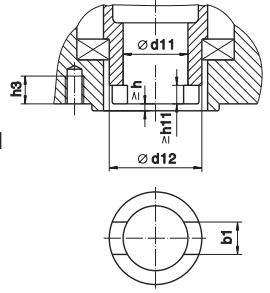
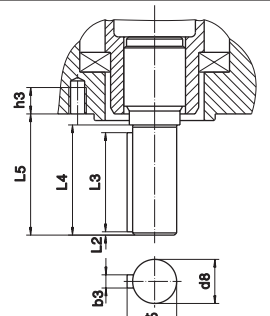
We reserve the right to alter data according to improvements made. Previous documents become invalid with the issue of this document.

**auma**®

Issue **1.11**

1/2

Y000.070/002/en

Output drives	Dimensions		AUMA multi-turn actuator type									
			SA 07.1/SA 07.5			SA 10.1		SA 14.1/SA14.5		SA 16.1		
Stem nut	EN ISO 5210	DIN 3210	F07	F10	G0	F10	G0	F14	G1/2	F16	G3	
<p>Type EN ISO 5210 <b>A</b> DIN 3210 <b>A</b></p>  <p>Arrangement of holes d4</p>	F max. kN		40	40	40	70	70	160		250		
	Ø d1		90	125	125	125	125	175		210		
	Ø d2		55	70	60	70	60	100		130		
	Ø d3		70	102	102	102	102	140		165		
	d4		M8	M10	M10	M10	M10	M16		M20		
	Ø d5		28	30	30	42	42	60		80		
	Ø d6 max.		26	26	26	40	40	57		75		
	g		40	40	40	50	50	65		80		
	h		3	3	3	3	3	4		5		
	h3		12	15	15	15	15	25		35		
	L		37	37	37	47	47	60		75		
	Z		4	4	4	4	4	4		4		
	Weight	kg	1.1	1.3	1.3	2.8	2.8	6.8		11.7		
	<p>Plug sleeve <sup>3)</sup></p> <p>Type EN ISO 5210 <b>B 1</b> = Ø d7 EN ISO 5210 <b>B 2</b> &lt; Ø d7 &gt; Ø d7 min. DIN 3210 <b>B</b> = Ø d7</p>  <p>Missing dimensions refer to output drive A</p>	b JS 9 <sup>1)</sup>		8	12	12	12	12	18		22	
		Ø d7 H9		28	42	42	42	42	60		80	
Ø d7 min.			20	30	30	30	30	45		60		
h3			12	13	13	15	15	25		30		
L1			35	45	45	45	45	65		80		
t <sup>1)</sup>			31.3	45.3	45.3	45.3	45.3	64.4		85.4		
Weight		kg										
<p>Bore with keyway <sup>3)</sup></p> <p>Type EN ISO 5210 <b>B 3</b> = Ø d10 EN ISO 5210 <b>B 4</b> ≤ Ø dy DIN 3210 <b>E</b> = Ø d10</p>  <p>Missing dimensions refer to output drive A</p>	b JS 9 <sup>1)</sup>		5	6	6	6	6	8		12		
	Ø d10 H9		16	20	20	20	20	30		40		
	Ø dy max.		20	30	30	30	30	45		60		
	h3		12	13	13	15	15	25		30		
	L1		35	45	45	45	45	65		80		
	t <sup>1)</sup>		18.3	22.8	22.8	22.8	22.8	33.3		43.3		
Weight	kg	0.1	0.1	0.1	0.4	0.4	1.1		2.4			
<p>Dog coupling <sup>3)</sup></p> <p>Type DIN 3338 <b>C</b> = Ø d11</p>  <p>Missing dimensions refer to output drive A</p>	b1 H11		14*	14	14	14	14	20		24		
	Ø d11 H11		28*	28	28	28	28	38		47		
	Ø d11 min.		–	20	20	20	20	30		40		
	Ø d11 max. <sup>2)</sup>		–	42	42	42	42	60		80		
	Ø d12		40*	55	55	55	55	80		100		
	h3		12	13	13	15	15	25		30		
	h11		7*	7	7	7	7	8		10		
<p>Shaft coupling</p> <p>Type DIN 3210 <b>D</b></p>  <p>Missing dimensions refer to output drive A</p>	Ø d8 g6		–	–	20	–	20	–	30	–	40	
	b3 h9		–	–	6	–	6	–	8	–	12	
	h3		–	–	13	–	15	–	25	–	30	
	L2		–	–	1.5	–	1.5	–	2	–	3	
	L3		–	–	45	–	45	–	63	–	80	
	L4		–	–	50	–	50	–	70	–	90	
	L5		–	–	55	–	55	–	76	–	97	
	t2		–	–	22.5	–	22.5	–	33	–	43	
	Weight	kg	–	–	0.4	–	0.7	–	2	–	4.3	

<sup>1)</sup> Dimensions depend on Ø d7/ Ø d10, refer to DIN 6885-1

<sup>2)</sup> For rising valve stem Ø d11 max. = Ø d5 of type A

<sup>3)</sup> Weight included in actuator

\* Dimensions other than DIN 3338

We reserve the right to alter data according to improvements made. Previous documents become invalid with the issue of this document.