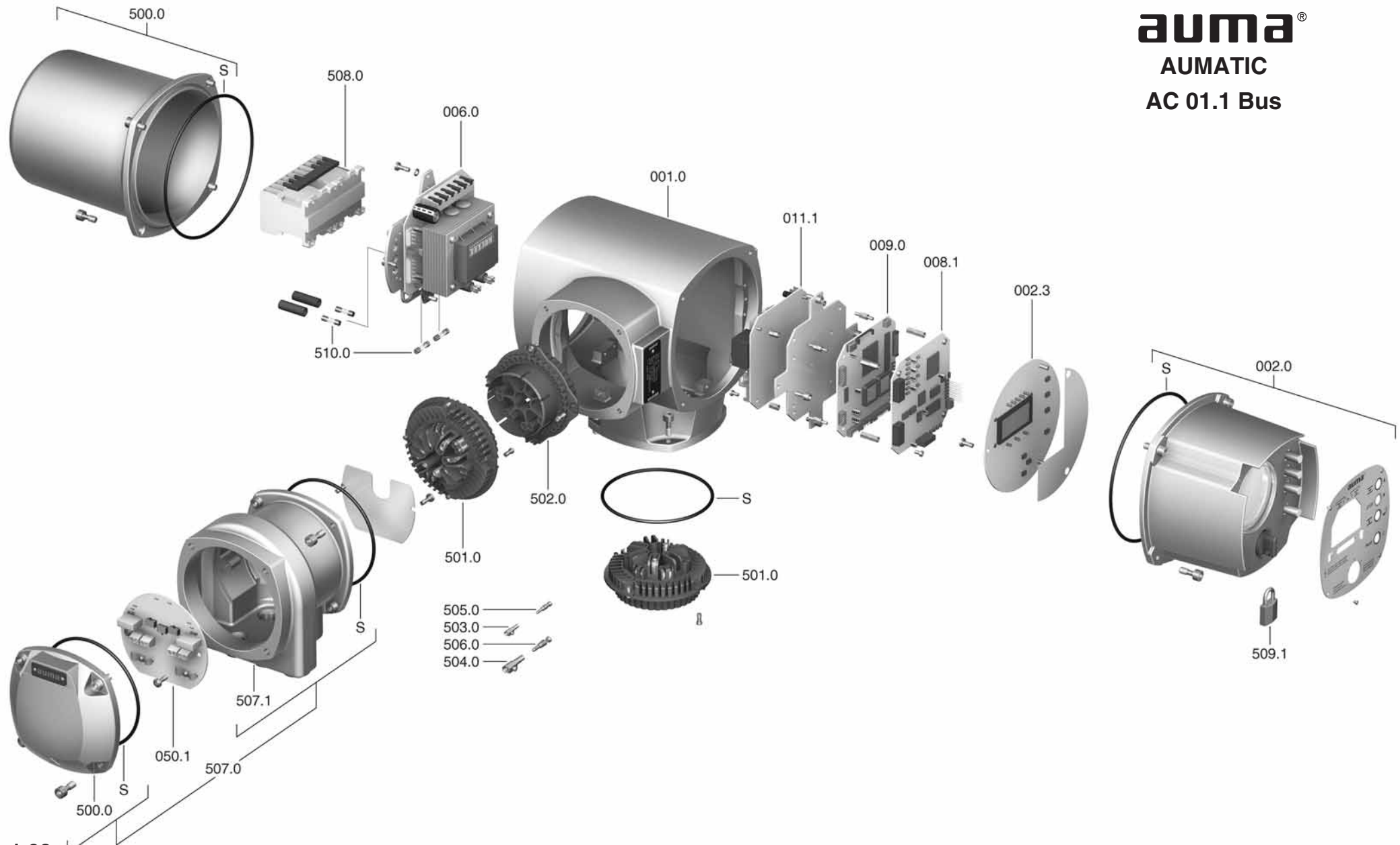


Spare parts list

auma®

AUMATIC

AC 01.1 Bus



AC 01.1 Bus**Spare parts list – AUMATIC**

Please state type and commission no. of the device (see name plate) when ordering spare parts. Only original AUMA spare parts should be used. Failure to use original spare parts voids the warranty and exempts AUMA from any liability. Delivered spare parts may slightly vary from the representation.

No.	Designation	Type
001.0	Housing	Sub-assembly
002.0	Local controls	Sub-assembly
002.3	Local controls board	
006.0	Power supply	Sub-assembly
008.1	Bus interface	
009.0	Logic board	Sub-assembly
011.1	Relay board	
050.1	Bus connection board	
500.0	Cover	Sub-assembly
501.0	Socket carrier (complete with sockets)	Sub-assembly
502.0	Pin carrier without pins	Sub-assembly
503.0	Socket for controls	Sub-assembly
504.0	Socket for motor	Sub-assembly
505.0	Pin for controls	Sub-assembly
506.0	Pin for motor	Sub-assembly
507.0	Electrical connection for bus without connection board (050.0)	Sub-assembly
507.1	Frame	Sub-assembly
508.0	Switchgear	Sub-assembly
509.1	Padlock	
510.0	Fuse kit	Set
S	Seal kit	Set

We reserve the right to alter data according to improvements made. Previous documents become invalid with the issue of this document.

Issue **1.08**

Y003.136/002/en

auma[®]